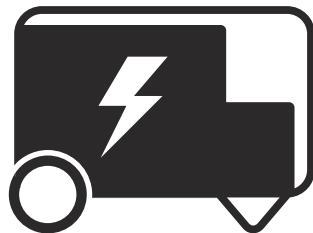




# Husqvarna®



## G1300P, G2500P, G3200P, G5500P, G8500P

EN	Operator's manual	2-18
BG	Ръководство за експлоатация	19-38
CS	Návod k použití	39-56
EL	Οδηγίες χρήσης	57-75
ES	Manual de usuario	76-94
FR	Manuel d'utilisation	95-113
HU	Használati utasítás	114-131
IT	Manuale dell'operatore	132-149
PL	Instrukcja obsługi	150-168
PT	Manual do utilizador	169-186
RO	Instrucțiuni de utilizare	187-204
SK	Návod na obsluhu	205-222
TR	Kullanım kılavuzu	223-239

---

## Contents

---

Introduction.....	2	Maintenance.....	10
Safety.....	5	Troubleshooting.....	13
Assembly.....	8	To prepare the product for long-term storage.....	14
Installation.....	8	Technical data.....	15
Operation.....	9	EC Declaration of Conformity.....	18

---

## Introduction

---

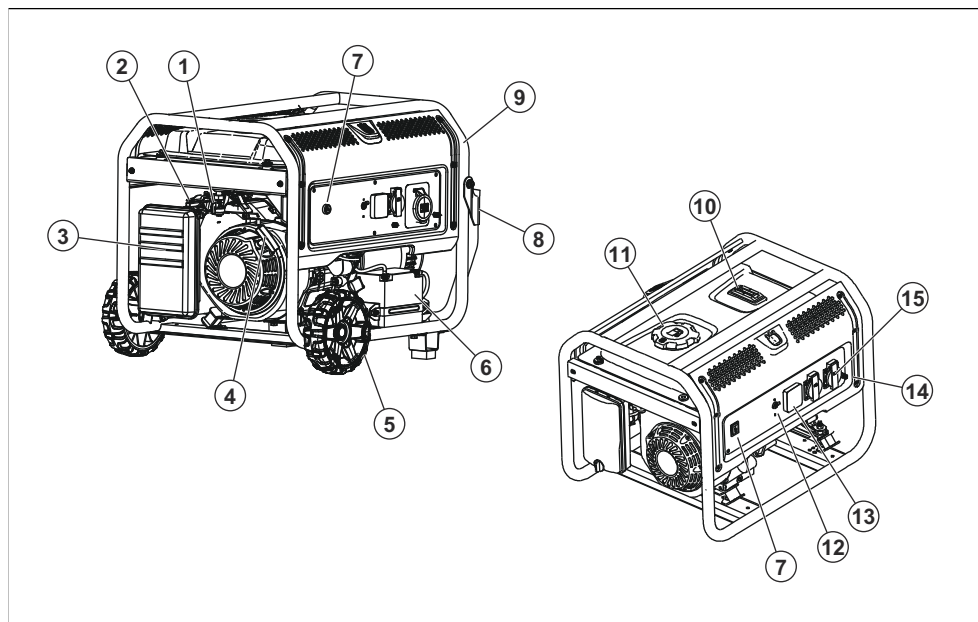
### Product description

This product is a portable generator with a combustion engine.

### Intended use

The product supplies electrical power to operate electrical loads in locations where there is no electrical power available. Do not use the product for other tasks.

### Product overview



1. Fuel valve
2. Choke
3. Air filter
4. Starter rope handle
5. Wheel
6. Battery
7. Power switch
8. Handle
9. Frame
10. Fuel gauge
11. Fuel tank cap

12. AC circuit breakers
13. VFT meter
14. Ground terminal
15. AC receptacle

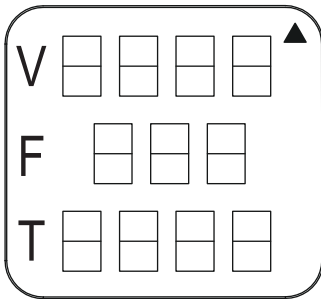
## 12 V DC terminal

The 12 V DC terminal is a power source for 12 V DC units.



## VFT meter

The VFT meter shows the voltage, frequency and total operation time of the product.



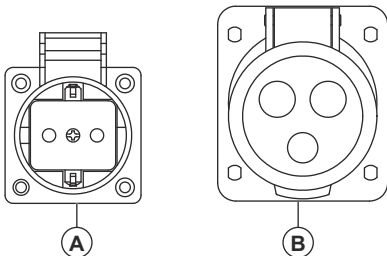
## AC receptacles

The product has several AC receptacles to give power to tools and equipment. The AC receptacles are different in different market areas.

EU, 1-phase, 50 Hz

A: 2-Prong, 230 V receptacle.

B: 3-Prong, 32 A 230 V receptacle.

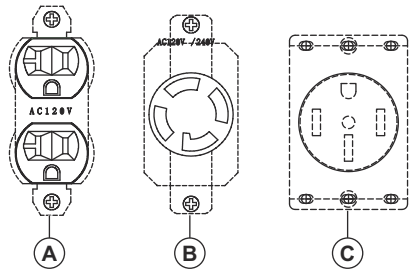


US, 1-phase, 60 Hz

A: 3-Prong, duplex 120 V receptacle.

B: 4-Prong, twist lock 30 A 120/240 V receptacle.

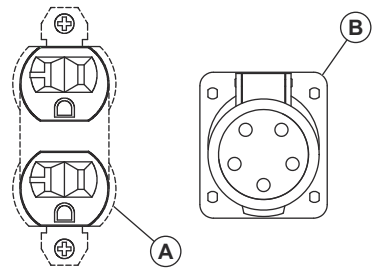
C: 4-Prong, 50 A 120/240 V receptacle.



US, 3-phase, 60 Hz

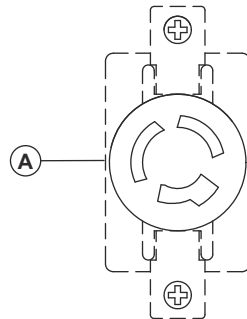
A: 3-Prong, duplex 110 V receptacle.

B: 5-Prong, 3-phase 127/220 V receptacle.



CN, 1-phase, 50 Hz

A: 3-Prong, twist lock, 230 V receptacle.



## Symbols on the product



**WARNING!** Be careful and use the product correctly. This product can cause serious injury or death to the operator or others.



Read the operator's manual carefully and make sure you understand the instructions before you use this product.



Risk of fire or explosion.



Risk of carbon monoxide poisoning. Do not operate the product in areas with bad airflow.



Risk of electrical shock.



Risk of burn injury.



Add oil.



Add fuel.



Open the fuel valve.



Set the power switch to the ON position.



Set the choke to the OFF position.



Set the choke to the ON position.



Pull the starter rope handle.



Connect the electrical loads.



Disconnect the electrical loads.



Close the fuel valve.



Noise emissions to the environment according to European Directive 2000/14/EC and New South Wales legislation "Protection of the Environment Operations (Noise Control) Regulation 2017". Noise emission data can be found on the machine label and in the Technical data chapter.



Do not use the product indoors.



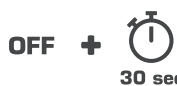
Use the product outdoors. Keep the product away from windows, doors or vents.



Set the choke to the ON position and wait for 50 seconds.

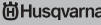



Set the choke to the OFF position and wait for 50 seconds.



Wait 30 seconds and set the power switch to the OFF position.

# Type plate

	Prod. year 0000
Product	<input type="text"/>
Serial No.	<input type="text"/>
Article No.	<input type="text"/>
Model	<input type="text"/>
Weight	<input type="text"/>
Rated current	<input type="text"/>
Max Power	<input type="text"/>
COP Power	<input type="text"/>
Voltage	<input type="text"/>
Rated Frequency	<input type="text"/>
Power factor	<input type="text"/>
Performance class	<input type="text"/>
Quality class	<input type="text"/>
Protection class	<input type="text"/>
Husqvarna AB SE-561 82 Huskvarna Sweden	Low-power generating set 

---

## Safety

---

### Safety definitions

Warnings, cautions and notes are used to point out specially important parts of the manual.



**WARNING:** Used if there is a risk of injury or death for the operator or bystanders if the instructions in the manual are not obeyed.



**CAUTION:** Used if there is a risk of damage to the product, other materials or the adjacent area if the instructions in the manual are not obeyed.

**Note:** Used to give more information that is necessary in a given situation.

### General safety instructions



**WARNING:** Read and understand the warning instructions that follow before you use the product.

- Read and understand the operator's manual and safety decals on the product before operation. Your safety and the safety of others is your responsibility.
- Obey the instructions in this operator's manual.
- It is not possible to give a warning for each situation that can occur during operation and maintenance of this product. Always be careful and use your common sense.

### Fuel safety



**WARNING:** Read and understand the warning instructions that follow before you use the product.

- Gasoline is highly flammable and its vapors are explosive. Do not permit smoking, open flames, sparks or heat in the vicinity while handling gasoline.
- Never add fuel while the product is running or hot. Allow the engine to cool completely before adding fuel.
- Never fill the fuel tank indoors.
- Comply with all laws regulating storage and handling of gasoline.
- Do not overfill the fuel tank. Always allow room for fuel expansion. If the fuel tank is over-filled, fuel can overflow onto a hot engine and cause a fire or an explosion.
- Never store the product with fuel in the fuel tank where gasoline vapors might reach an open flame, spark or pilot light (as on a furnace, water heater or clothes dryer). Fire or explosion may result. Allow the product to cool entirely before storage.
- Wipe up any fuel or oil spills immediately. Ensure that no combustible materials are left on or near the product. Keep the area surrounding the product clean and free from debris. Keep a clearance of 5 ft. on all sides to allow for proper ventilation of the product.
- Do not operate the product if a connected electrical device overheats, if the electrical output is lost, or if flames or smoke are observed while the product is running.
- Keep a fire extinguisher near the product at all times.
- Avoid spilling fuel on a hot engine.

- Do not smoke or light cigarettes near the product or fuel.
- Drain fuel into an approved container outdoors, away from open flame. make sure that the engine is cool.

## Exhaust safety



**WARNING:** Read and understand the warning instructions that follow before you use the product.

- Never operate the product in an enclosed area or indoors! Never use the product in the home, in a vehicle, or in partly enclosed areas such as garages, even if doors and windows are open! Only use the product outdoors and far from open windows, doors, vents, and in an area that will not accumulate deadly exhaust.
- The engine exhaust fumes contain carbon monoxide, which you cannot see or smell. This poisonous gas, if breathed in sufficient concentrations, can cause unconsciousness or even death.
- Adequate, unobstructed flow of cooling and ventilating air is critical for correct product operation. Do not alter the installation or permit even partial blockage of ventilation provisions, as this can seriously affect safe operation of the product. The product must be operated outdoors.
- Always use a battery-operated carbon monoxide alarm indoors, installed according to the manufacturers instructions.
- If you start to feel sick, dizzy, or weak after the product has been running, move to fresh air immediately. See a doctor, as you could have carbon monoxide poisoning.

## Electrical safety



**WARNING:** Read and understand the warning instructions that follow before you use the product.

- The product produces dangerously high voltage when in operation. Avoid contact with bare wires, terminals, connections, etc., while the product is running, even on equipment connected to the product. Ensure that all appropriate covers, guards and barriers are in place before operating the product.
- Never handle any kind of electrical cord or device while standing in water, while barefoot or while hands or feet are wet. Dangerous electrical shock can occur.
- Some countries may require the frame and external electrically conductive parts of the product be properly connected to an approved earth ground. Some countries may also require proper grounding of the product. Consult with a local electrician for grounding requirements in the area.

- Use a ground fault circuit interrupter (GFCI) in any damp or highly conductive area (such as metal decking or steel work).
- Do not use worn, bare, frayed or otherwise damaged electrical cord sets with the product.
- In case of accident caused by electric shock, immediately shut down the source of electrical power. If this is not possible, attempt to free the victim from the live conductor. Avoid direct contact with the victim. Use a non-conducting implement, such as a rope or board, to free the victim from the live conductor. If the victim is unconscious, apply first aid and get immediate medical help.

## Safety instructions for operation



**WARNING:** Read and understand the warning instructions that follow before you use the product.

- Only operate the product on level surfaces and where it will not be exposed to excessive moisture, dirt, dust or corrosive vapors.
- Keep hands, feet, clothing, etc., away from drive belts, fans, and other moving parts. Never remove any fan guard or shield while the unit is operating.
- Certain parts of the generator get extremely hot during operation. Keep clear of the generator until it has cooled to avoid severe burn injuries.
- Do not operate the product in rain.
- Do not alter the construction of the product or change controls which might create an unsafe operating condition.
- Never start or stop the product with electrical loads connected to receptacles and with connected devices turned on. Start the engine and let it stabilize before connecting electrical loads. Disconnect all electrical loads before shutting down the generator.
- Do not insert objects through the cooling slots of the product, even if the engine is not running.
- When working on this equipment, remain alert at all times. Never work on the equipment when physically or mentally fatigued.
- Never use the product or any of its parts as a step. Stepping on the product can stress and break parts, and may result in dangerous operating conditions from leaking exhaust gases, fuel leakage, oil leakage, etc.
- Make sure that you have knowledge about all controls and adjustments before operation.
- Do not overload the product. Also, do not overload individual panel receptacles. These outlets are protected against overload with circuit breakers. If amperage rating of any circuit breaker is exceeded, that breaker opens and electrical output to that receptacle is lost.
- Never start or stop engine with electrical devices plugged into the receptacles and devices turned on.

## Safety devices on the product

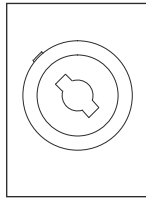
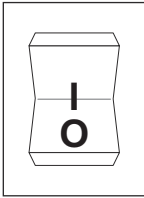


**WARNING:** Read the warning instructions that follow before you use the product.

- Do not use a product with defective safety devices.
- Do a check of the safety devices regularly. If the safety devices are defective, speak to your Husqvarna service agent.

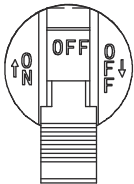
### Power switch

Use the power switch to start and stop the engine.



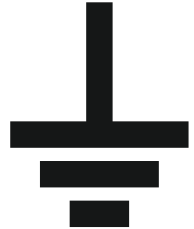
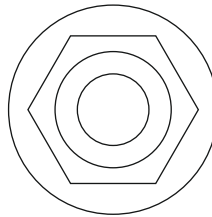
### Circuit breakers

The circuit breakers prevents overload in the product. Information about rated value of the circuit breaker is shown near the circuit breaker.



### Ground terminal

The ground terminal makes sure that the product is correctly grounded. Before each operation, a ground wire must be connected to the ground terminal.



## Safety instructions for maintenance



**WARNING:** Read and understand the warning instructions that follow before you do maintenance on the product.

- For safety reasons, the manufacturer recommends that the maintenance of this equipment is carried out by an Authorized Dealer. Inspect the generator regularly, and contact the nearest Authorized Dealer for parts needing repair or replacement.
- This product is equipped with a muffler that has a spark arrester. The spark arrester must be maintained in effective working order by the owner/operator.
- The exhaust system must be properly maintained. Do nothing that might make the exhaust system unsafe or non-compliant with local codes and/or standards.
- Before performing maintenance on the product, disconnect the engine starting battery (if equipped) to prevent accidental start up. Disconnect the cable from the battery terminal indicated by a negative, NEG or (-) first. Reconnect that cable last.
- Any attempt to crank or start the engine before it has been properly serviced with the recommended oil may result in engine failure.
- When working on the product, always disconnect the spark plug cap from spark plug and keep the spark plug cap away from the spark plug.
- Hot oil may cause burns. Allow engine to cool before draining oil. Avoid prolonged or repeated skin exposure to used oil. Thoroughly wash exposed areas with soap.
- The warranty of the product does not cover items that have been subjected to operator abuse of negligence. To receive full value from the warranty, the operator must maintain the product as instructed in this operator's manual.

# Assembly

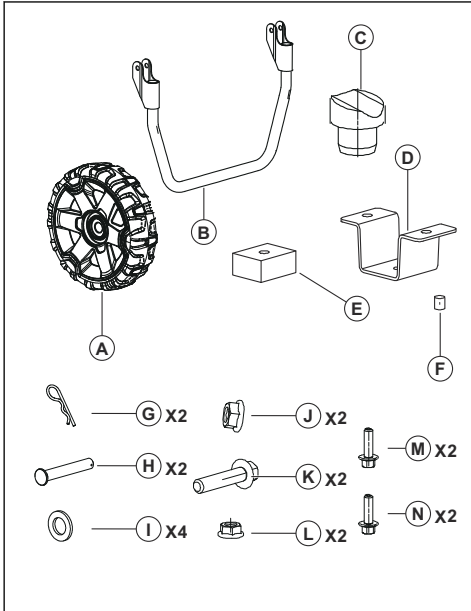
## Introduction



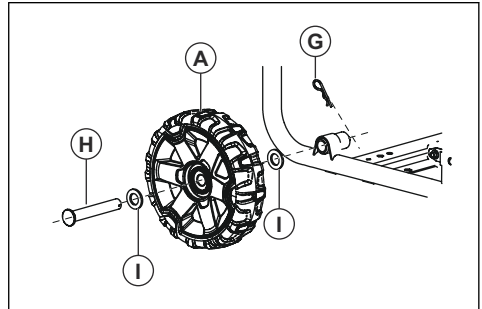
**WARNING:** Read and understand the safety chapter before you assemble the product.

## To assemble the accessory kit (G5500P, G8500P)

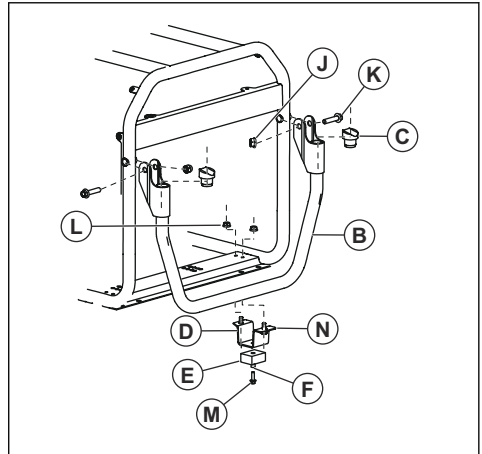
1. Learn the parts of the accessory kit.



2. Assemble the accessory kit. Refer to the illustrations.  
a) Wheel assembly:



b) Handle assembly:



# Installation

## Introduction



**WARNING:** Read and understand the safety chapter before you install the product.

## To ground the product



**WARNING:** The product must be grounded by a person with good experience and knowledge in the field of electricity. In some areas an approved electrician must do the installation. Obey local regulations.

1. Install a ground rod at a minimum of 24 in. into the ground.



**WARNING:** The ground rod must be made of brass or copper.

2. Connect a 2.5 mm<sup>2</sup> ground wire from the ground terminal on the control panel to a ground rod.

**Note:** The ground wire and the ground rod are not supplied with the product.



## To connect the product to the electrical system of a building



**WARNING:** The product must be grounded by a person with good experience and knowledge in the field of electricity. In

some areas an approved electrician must do the installation. Obey local regulations.

- Use a manual transfer switch to connect the product to an electrical system.
- Make sure that you do the procedure in compliance with all national and local regulations.

## Operation

### Introduction



**WARNING:** Read and understand the safety chapter before you use the product.

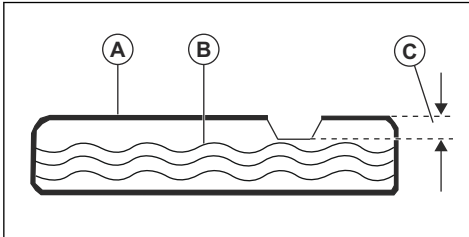
### To fill fuel

Use unleaded gasoline. Do not use gasoline with more than 10% ethanol and do not use E85 gasoline.



**CAUTION:** Do not mix gasoline with oil.

1. Stop the engine and let the product become cool. Refer to *To stop the product on page 10*.
2. Make sure that the product is on level ground and in an area with good airflow.
3. Remove the fuel tank cap.
4. Carefully fill the fuel tank (A). Fill fuel (B) to the mark (C).



5. Clean the product from fuel spillage.

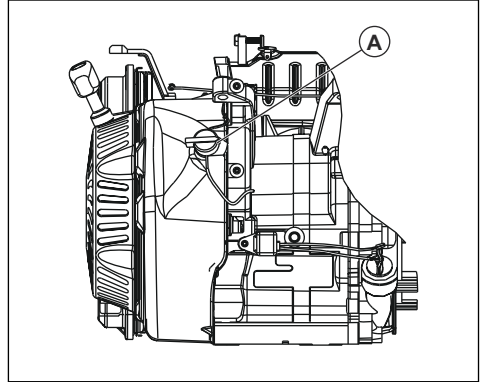


**CAUTION:** Fuel spillage is a fire risk and can cause damage to the environment.

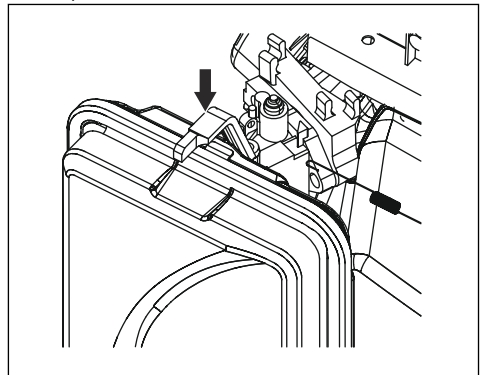
### To start the product

1. Disconnect all electrical loads from the receptacles on the control panel.
2. Make sure that the product is on a level surface.
3. Open the fuel valve.

4. Set the power switch (A) to the ON position.



5. Set the choke to the OFF position.
6. Pull the starter rope handle slowly until you feel resistance.
7. Pull the starter rope handle quickly and with force until the engine starts.
8. For electric start, do the steps that follow.
  - a) Push and hold the ON/OFF/START key in the start position.
  - b) When the engine starts, move the ON/OFF/START key to the ON position.
9. Move the choke to ½ choke position.
10. When the engine runs smoothly, set the choke to the ON position.



**Note:** For G1300P, the ON and OFF positions of the choke are at the opposite positions.

## To connect the electrical loads



**WARNING:** Do not connect 240 (230) V to 120 (110) V receptacles. Do not connect 3-phase electrical loads to a 1-phase product. Do not connect 50 Hz electrical loads to a 60 Hz product.

1. Start the engine and let it become warm for some minutes. Refer to *To start the product on page 9*.
2. Connect and start the electrical loads.
3. Make sure that there is no overload in the product. Refer to *To prevent overload in the product on page 10*.

## To prevent overload in the product

Overload in the product can cause damage to the product and to connected electrical devices. Do the steps that follow to prevent overload in the product.

- Add the total amount of W of all electrical devices to be connected at the same time.



**CAUTION:** The total W must not be more than the W capacity of the product.

- The rated W of lights can be used from light bulbs. The rated W of tools, equipment and motors can be found on a decal on the device.
- If there is no amount of W specified in the product, tool or equipment, multiply V with the rated A value.
- Always connect electrical devices with the highest start up W to the product first. Then add the W of all other connected electrical loads.

## To stop the product

1. Stop and disconnect the electrical loads from the receptacles on the control panel.



**WARNING:** Do not stop the engine if the electrical loads are on and connected to the product.

2. Let the engine operate without load for 30 seconds.
3. Set the power switch to the OFF position.
4. Close the fuel valve.

# Maintenance

## Introduction



**WARNING:** Read and understand the safety chapter before you do maintenance on the product.

## Maintenance schedule

\* Clean at a more regular interval if the product is used in conditions with much dust.

\*\* Maintenance must be done by an approved servicing dealer.

Maintenance	Daily maintenance before operation	Maintenance interval in hours				
		20 hours or each month	50 hours or each 3 months	100 hours or each 6 months	300 hours or 1 time each year	Each 2 years
Clean the product.	X					
Do a check of the engine oil level.	X					
Do a check of the air filter.	X					
Clean the air filter.	X					
Do a check of the deposit cup.	X					
Replace the engine oil.		X*				
Clean or replace the air filter.			X*			
Do a check of and clean the spark plug.				X		

Maintenance	Daily maintenance before operation	Maintenance interval in hours				
		20 hours or each month	50 hours or each 3 months	100 hours or each 6 months	300 hours or 1 time each year	Each 2 years
Do a check of the idle speed. Adjust the idle speed if it is necessary.					X**	
Do a check of the valve clearance. Adjust the valve clearance if it is necessary.					X**	
Clean the fuel tank, fuel strainer and carburetor.					X**	
Clean the combustion chamber.					X**	
Replace the fuel lines if it is necessary.						X**

## To clean the product



**CAUTION:** Do not use water to clean the product. Water can cause damage to the product.

- Use a moist cloth to clean the external surfaces of the product.
- Use a soft brush to remove dirt and oil.
- Use a vacuum cleaner to remove clean dirt and unwanted material from the product.
- Use compressed air to remove dirt from cooling slots and other opening on the product.



**CAUTION:** The pressure of the compressed air must not be more than 25 psi.

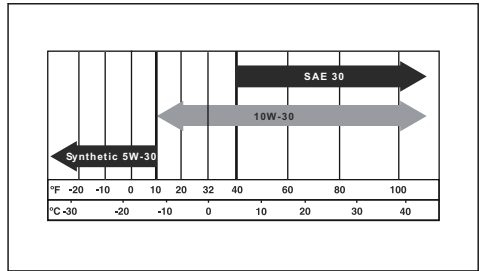
## To do a check of the engine oil level



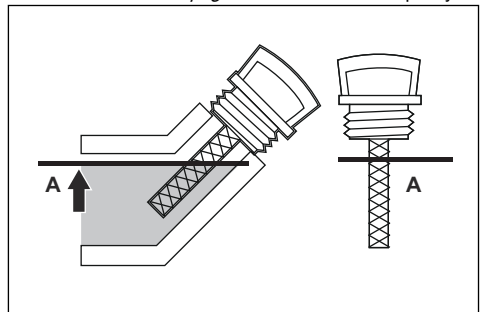
**CAUTION:** Do not operate the product with low engine oil level. It can cause damage to the engine.



**CAUTION:** Use engine oil that has SJ class, SL class, or better, from the American Petroleum Institute (API). Do not use special additives. Select a viscosity range that agrees with the ambient temperature. Refer to the illustration below.



1. Stop the product fully and make sure that the product is on level ground.
2. Clean the area around the oil tank.
3. Remove the oil tank cap and dipstick.
4. Clean the oil from the dipstick.
5. Put the dipstick back fully into the oil tank.
6. Remove the dipstick.
7. Examine the engine oil level on the dipstick.
8. If the engine oil level is low, fill engine oil until the engine oil is to the mark (A) on the dipstick. Refer to *Technical data on page 15* for the oil tank capacity.



9. Do a check of the engine oil level again.
10. Install the oil tank cap and dipstick.

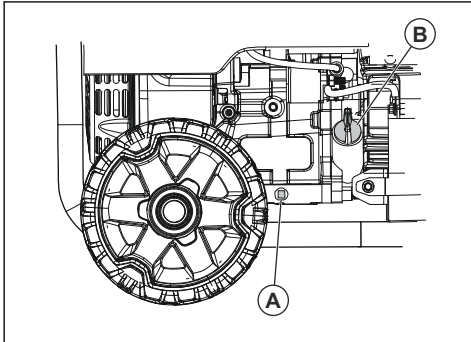
## To replace the engine oil

**Note:** Drain the engine oil while the engine is warm. Warm engine oil is faster to drain.



**WARNING:** The engine oil becomes very hot and can cause burn injuries. Let the engine become cool before you drain the engine oil.

1. Clean the area around the oil drain plug (A).



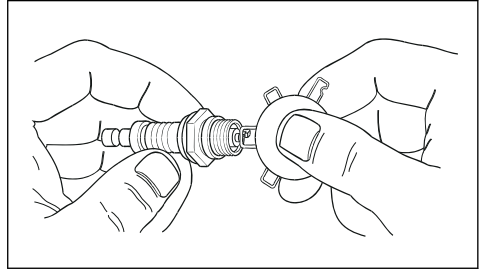
2. Put an applicable fuel container below the drain hole.
3. Remove the oil drain plug and the oil tank cap (B).
4. Drain the engine oil into the container.
5. Install the oil drain plug and tighten it.
6. Fill engine oil. Refer to *To do a check of the engine oil level on page 11*.
7. Remove oil spillage.
8. Recycle the used engine oil at an approved disposal location.

## To replace the spark plug

Replace the spark plug 1 time each year.

1. Stop the engine.
2. Remove the spark plug cap from the spark plug.
3. Clean the area around the spark plug and remove the spark plug from the cylinder.

4. Set the electrode gap. Refer to *Technical data on page 15*.



5. Install a new spark plug. Torque to 15 ft/lbs.

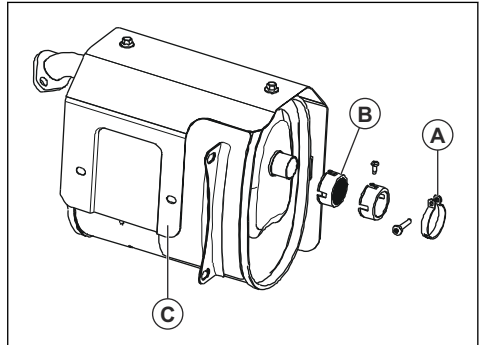
## To do a check of the spark arrester screen

Do a check and clean the spark arrester screen 1 time each year or more frequently if it is necessary.



**WARNING:** In some areas and conditions, you must use a spark arrester screen to prevent the risk of fire. Obey local regulations.

1. Remove the clamp (A) and the spark arrester screen (B) from the muffler (C).



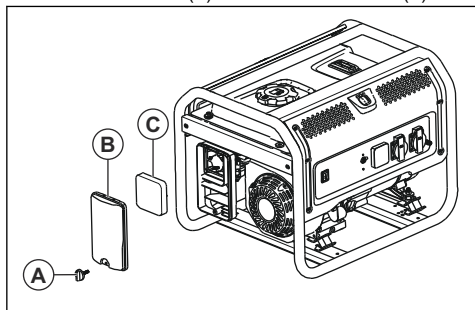
2. Clean the spark arrester screen with commercial solvent.
3. Examine the spark arrester screen for wear and damage. Replace the spark arrester screen if it is necessary.



**CAUTION:** Do not use a product with a damaged spark arrester screen.

## To do a check of the air filter

1. Remove the knob (A) and the air filter cover (B).



2. Remove the air filter (C).
3. Clean the air filter and the air filter cover with soap water.
4. Let the air filter and the air filter cover become dry.
5. Install the air filter, the air filter cover and the knob.

## Troubleshooting

### Troubleshooting schedule

Problem	Cause	Solution
The engine stops when it has too much load.	The air filter is not clean.	Clean or replace the air filter.
	The engine is not warm.	Let the engine become warm before operation.
The engine misfires.	The spark plug is loose.	Do a check of the wire connections.
	Incorrect electrode gap.	Replace the spark plug cap.
	The spark plug cap is damaged.	Replace the spark plug cap.
	Expired or low quality gasoline.	Fill fuel.
	Incorrect compression.	Adjust the compression.
The engine stops suddenly.	The engine oil level is low.	Fill engine oil.
	The fuel tank is empty or has low quality gasoline.	Fill fuel.
	Defective fuel tank cap.	Replace the fuel tank cap.
	Defective magnet.	Speak to an approved servicing dealer.
	The spark plug cap is not correctly installed.	Install the spark plug cap.
Engine knocking occurs.	Expired or low quality gasoline.	Fill fuel.
	Overload in the engine.	Refer to <i>To prevent overload in the product on page 10.</i>
	Mechanical problem.	Speak to an approved servicing dealer.

Problem	Cause	Solution
Engine backfire occurs.	Low quality gasoline.	Fill fuel.
	The engine is too cold.	Use fuel for cold conditions and oil additives.
	The inlet valve is blocked or the engine is too hot.	Speak to an approved servicing dealer.
	Incorrect ignition timing.	Do a check of the ignition timing.
The product has no power.	The product is not connected to the electrical source.	Stop the product and disconnect it. Connect the product and start it again.
	A circuit breaker has tripped.	Stop the product and disconnect it. Restart the circuit breaker. Connect the product and start it again.
	The receptacle is engaged.	Stop the product and disconnect it. Do a test of the receptacle. If the receptacle is not damaged, start and connect the product again.
	Service is necessary.	Speak to an approved servicing dealer.
The product does not operate correctly.	Problem with an electrical device.	Disconnect the electrical device. Speak to an approved servicing dealer.
	There is too much load in the product.	Decrease the quantity of electrical devices connected to the product.



**CAUTION:** Speak to an approved servicing dealer if the problem stays.

## To prepare the product for long-term storage

Do the steps that follow if the product will be kept in storage for more than 30 days. The procedure that follows prevents problems with the fuel system.

1. Add a fuel stabilizer to the fuel. The fuel stabilizer must agree with the recommendation from the manufacturer.
2. Operate the product for 10-15 minutes.
3. Let the engine become cool and drain the fuel tank.



**CAUTION:** Do not keep fuel in long-term storage. Discard gasoline that is not clean.

4. Start the engine and let it operate until all the fuel has been used and the product stops.
5. Let the engine become cool and replace the engine oil.
6. Remove the spark plug cap and put ½ oz/15 ml of engine oil into the cylinder.

7. Put a cloth on the spark plug hole for protection.
8. Pull the starter rope handle 5 times to lubricate the engine parts.
9. Install and tighten the spark plug.



**WARNING:** Do not install the spark plug cap.

10. Clean the product.
11. Put the product in a clean and dry location indoors.
12. Put a cover on the product for protection.



**WARNING:** Do not put a cover on the product if it is warm.

## Technical data

### Technical data

	Husqvarna G1300P	Husqvarna G1300P	Husqvarna G2500P	Husqvarna G2500P	Husqvarna G3200P
Engine displacement, cc	98.5	98.5	196	196	212
Peak power, W <sup>1</sup>	1000	1200	2200	2800	3000
Rated power, W	800	1000	2000	2500	2800
Voltage, V	230	110/220,120/240	230	110/220,120/240	230
Rated frequency, Hz	50	60	50	60	50
Phase	1	1	1	1	1
Net weight, kg	28.0	28.0	43.0	43.0	49.0
Gross weight, kg	29.2	29.2	45.0	45.0	51.0
Package size, mm	500X375X435	500X375X435	500X375X435	500X375X435	625X495X495
Oil tank capacity, l	0.45	0.45	0.6	0.6	0.6
Electrode gap, mm/in.	0.76/0.030	0.76/0.030	0.76/0.030	0.76/0.030	0.76/0.030
Type	Gasoline	Gasoline	Gasoline	Gasoline	Gasoline
Measured Sound Power Level, dB (A)			95	95	96
Guaranteed Sound Power Level, dB (A)			95	95	96

	Husqvarna G3200P	Husqvarna G5500P	Husqvarna G5500P	Husqvarna G8500P	Husqvarna G8500P
Engine displacement, cc	212	389	389	458	458
Peak power, W <sup>2</sup>	3200	5500	6000	8000	8500

<sup>1</sup> Maximum wattage is subject to, and limited by, such factors as fuel energy content, ambient temperature, altitude, engine condition, etc. Maximum power decreases about 3.5% for each 1,000 feet above sea level; and will also decrease about 1% for each 6° C (10° F) above 16°C (60° F) ambient temperature.

<sup>2</sup> Maximum wattage is subject to, and limited by, such factors as fuel energy content, ambient temperature, altitude, engine condition, etc. Maximum power decreases about 3.5% for each 1,000 feet above sea level; and will also decrease about 1% for each 6° C (10° F) above 16°C (60° F) ambient temperature.

	Husqvarna G3200P	Husqvarna G5500P	Husqvarna G5500P	Husqvarna G8500P	Husqvarna G8500P
Rated power, W	3000	5000	5500	7500	8000
Voltage, V	110/220,120/240	230	110/220,120/240	230	110/220,120/240
Rated frequency, Hz	60	50	60	50	60
Phase	1	1	1	1	1
Net weight, kg	49.0	88.0	88.0	106.4	106.4
Gross weight, kg	51.0	91.0	91.0	109.5	109.5
Package size, mm	625X495X495	720X560X585	720X560X585	720X560X585	720X560X585
Oil tank capacity, l	0.6	1.1	1.1	1.1	1.1
Electrode gap, mm/in.	0.76/0.030	0.76/0.030	0.76/0.030	0.76/0.030	0.76/0.030
Type	Gasoline	Gasoline	Gasoline	Gasoline	Gasoline
Measured Sound Power Level, dB (A)	96				
Guaranteed Sound Power Level, dB (A)	96				

## Watt reference guide

**Note:** All numbers are approximate. Refer to the data label on the appliance for wattage requirements.

Device	Running W	Additional start-up W
<b>Emergency</b>		
Refrigerator/freezer	700	1500
Radio	100	0
<b>Job site</b>		
Air compressor - ½ HP	1000	1000
Table saw - 10"	1700	1300
Belt sander - 3"	1200	1200
Hand drill - ½"	600	600
Halogen work light	1000	0
Reciprocating saw	900	900
<b>Recreation</b>		
AM/FM radio	100	0



<b>Device</b>	<b>Running W</b>	<b>Additional start-up W</b>
Electric grill	1700	0
Inflation pump 50	100	-
CD/DVD player	100	0
Box fan - 20"	200	200
Coffee maker	600	0
<b>Household</b>		
Computer with monitor	800	0
Electric clothes dryer	5500	500
Electric range	2100	0
Electric water heater	2000	0
Light bulb - 100 W	100	0
Microwave - 1000 W	1000	200
Sump pump - ½ HP	1000	1100
Television	400	0
Washing machine	1100	1100
Well pump - ½ HP	1000	1000
<b>Lawn and garden</b>		
Hedge trimmer	400	400
Pressure washer	1200	1200
Lawn mower	1200	1200
Edger	1000	1000
<b>Heating and cooling</b>		
Central AC - 10000 BTU	1500	1500
Furnace fan - ½ HP	900	1400
Space heater	1800	0
Window AC - 10000 BTU	1200	600

---

# EC Declaration of Conformity

---

## EC Declaration of conformity

For the following machinery:

- Product name: Portable Generator
- Function: Low-power generating set
- Model No.: G 2500P, G 3200P
- Serial No.: 1945013770, 1945013793 and onwards

**is herewith confirmed to fulfill all the relevant provisions of**

- Machinery Directive (2006/42/EC)
- Low Voltage Directive (2014/35/EU)
- Restriction of Hazardous Substances (RoHS) Directive (2011/65/EU)
- Electromagnetic Compatibility Directive (2014/30/EU)
- Noise Emission Directive by equipment for use outdoors (2000/14/EC + 2005/88/EC)

**and the following harmonized standard has been complied with:**

- EN ISO 8528-13:2016, EN 61000-6-1:2007; EN 55012:2007+A1

**Conformity Assessment Procedure: 2000/14/EC, amended by 2005/88/EC- Annex VI**

TÜV Rheinland LGA Products GmbH, Notified Body for Machinery (notified under 0197), Tillystraße 2 - 90431 Nürnberg, Germany, carried out the noise certification. For information about noise emissions, refer to *Technical data on page 15*.

Husqvarna, 2020-06-10



Claes Losdal, Development Manager/Garden Products  
(Authorized representative for Husqvarna AB and responsible for technical documentation).

## Съдържание

Въведение.....	19	Поддръжка.....	28
Безопасност.....	22	Отстраняване на проблеми.....	31
Монтаж.....	25	За да подготвите продукта за продължително съхранение.....	33
Инсталиране.....	26	Технически данни.....	34
Операция.....	27	Декларация за съответствие на ЕО.....	38

## Въведение

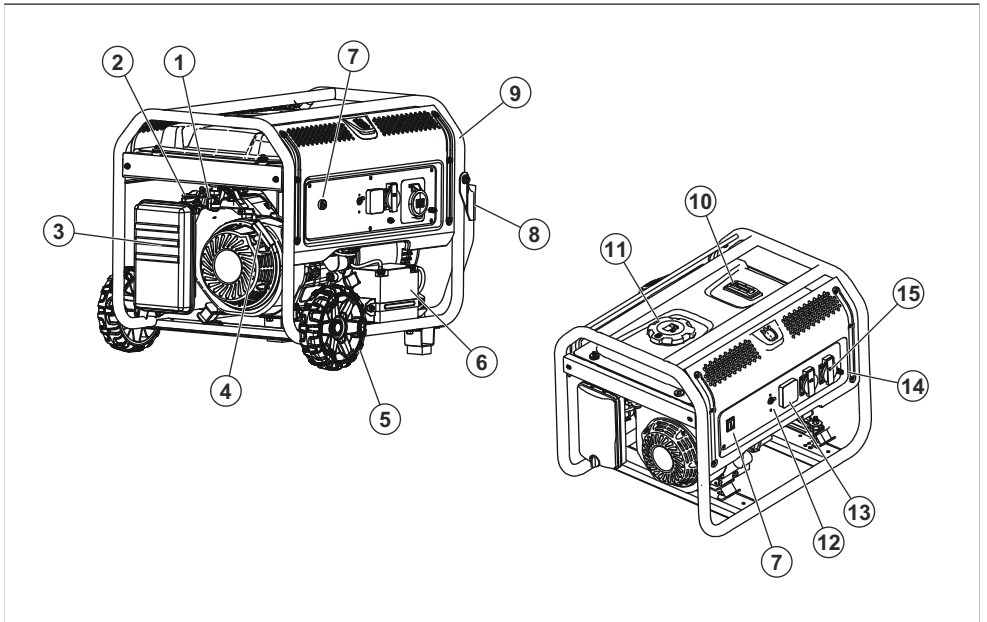
### Описание на продукта

Този продукт е преносим генератор с двигател с вътрешно горене.

### Предназначение

Продуктът осигурява захранване за електроуреди на места, където няма налично електрозахранване. Не използвайте продукта за други задачи.

### Общ преглед на продукта



1. Горивен клапан
2. Дросел
3. Въздушен филтър
4. Дръжка на въжето на стартера
5. Колело
6. Акумулатор
7. Прекъсвач
8. Ръкохватка
9. Рамка
10. Индикатор за гориво
11. Капачка на резервоара за гориво
12. Прекъсвачи на електрическата верига за променлив ток
13. Цифров измервателен уред: показва напрежението, честотата и работните часове.
14. Клема за заземяване
15. Контакт за променлив ток

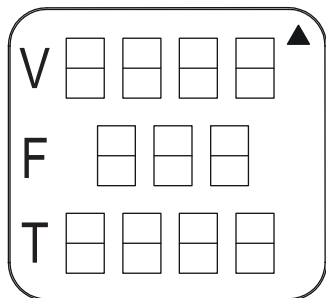
## Клема за 12 V постоянен ток

Клемата за 12 V постоянен ток е източник на захранване за уреди, работещи с 12 V прав ток.



## Цифров измервателен уред: показва напрежението, честотата и работните часове.

Индикаторът показва напрежението, честотата и общото време на работа на продукта.



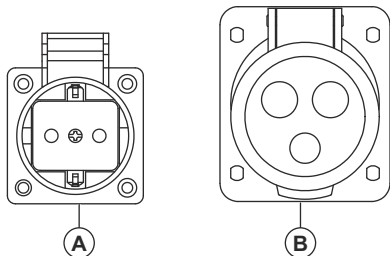
## Контакти за променлив ток

Продуктът има няколко контакта за променлив ток за подаване на енергия към инструменти и оборудване. Контактите за променлив ток са различни за различните пазари.

ЕС, 1-фазен, 50 Hz

A: 2-полюсен контакт, 230 V.

B: 3-полюсен контакт, 32 A 230 V.

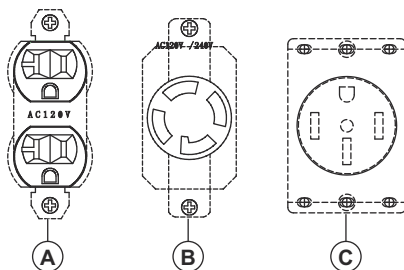


САЩ, 1-фазен, 60 Hz

A: 3-полюсен двоен контакт, 120 V.

B: 4-полюсен контакт със заключване със завъртане, 30 A 120/240 V.

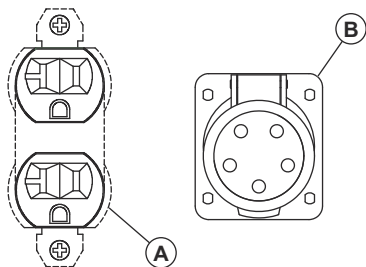
C: 4-полюсен контакт, 50 A 120/240 V.



САЩ, 3-фазен, 60 Hz

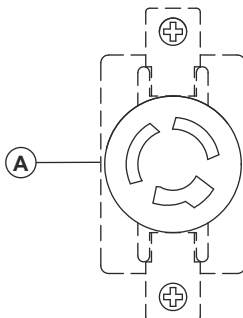
A: 3-полюсен двоен контакт, 110 V.

B: 5-полюсен контакт, 3-фазен, 127/220 V.



Китай, 1-фазен, 50 Hz

A: 3-полюсен контакт със завъртане със заключване, 230 V.



## Символи върху машината



**ПРЕДУПРЕЖДЕНИЕ!** Внимавайте и използвайте продукта правилно. Този продукт може да причини сериозно нараняване или смърт на оператора и други хора.



Прочетете внимателно ръководството за оператора и се уверете, че разбирате инструкциите, преди да използвате този продукт.



Риск от пожар или експлозия.



Риск от отравяне с въглероден оксид. Не работете с продукта в зони с недостатъчен въздушен поток.



Опасност от електрически удар.



Опасност от изгаряне.



Добавете масло.



Добавете гориво.



Отворете горивния клапан.



Поставете прекъсвача в положение ВКЛ.



Поставете смукача в положение ИЗКЛ.



Поставете смукача в положение ВКЛ.



Дръпнете дръжката на стартерното въже.



Свържете електроуредите.



Разкачете електроуредите.



Затворете горивния клапан.



Шумови емисии към околната среда съгласно Европейска директива 2000/14/ЕО и законодателството на Нов Южен Уелс "Регламент 2017 относно защитата от дейности, оказващи влияние на околната среда (контрол на шума)". Данните за шумови емисии могат да бъдат намерени на етикета на машината и в главата „Технически характеристики“.



Не използвайте продукта на закрито.



Използвайте продукта на открито. Дръжте продукта далече от прозорци, врати или отвори.



Поставете смукача в положение ВКЛ. и изчакайте 50 секунди.





Поставете смукача в положение ИЗКЛ. и изчакайте 50 секунди.



Изчакайте 30 секунди и поставете прекъсвача на позиция ИЗКЛ.

## Типова табелка

	Prod. year 0000
Product	<input type="text"/>
Serial No.	<input type="text"/>
Article No.	<input type="text"/>
Model	<input type="text"/>
Weight	<input type="text"/>
Rated current	<input type="text"/>
Max Power	<input type="text"/>
CoP Power	<input type="text"/>
Voltage	<input type="text"/>
Rated Frequency	<input type="text"/>
Power factor	<input type="text"/>
Performance class	<input type="text"/>
Quality class	<input type="text"/>
Protection class	<input type="text"/>
Husqvarna AB SE-561 82 Huskvarna Sweden	Low-power generating set 

## Безопасност

### Дефиниции за безопасност

Предупреждения, знаци за внимание и бележки се използват за указване на особено важни части на инструкцията.



**ПРЕДУПРЕЖДЕНИЕ:** Използва се, ако има опасност от нараняване или смърт за оператора или за околните, ако не се спазват инструкциите в ръководството.



**ВНИМАНИЕ:** Използва се, ако има опасност от повреждане на машината, други материали или съседната зона, ако не се спазват инструкциите в ръководството.

**Забележка:** Използва се за предоставяне на повече информация, която е необходима в дадена ситуация.

### Общи инструкции за безопасност



**ПРЕДУПРЕЖДЕНИЕ:** Прочетете и разберете следващите предупредителни инструкции, преди да използвате продукта.

- Преди да пристъпите към работа, прочетете и разберете инструкцията за експлоатация и знаците за безопасност върху продукта. Вие сте отговорни за Вашата безопасност и за безопасността на другите.

- Спазвайте инструкциите в тази инструкция за експлоатация.
- Не е възможно да се отправи предупреждение за всяка възможна ситуация по време на работата и техническото обслужване на този продукт. Винаги бъдете внимателни и подходайте разумно.

### Безопасност при работа с гориво



**ПРЕДУПРЕЖДЕНИЕ:** Прочетете и разберете следващите предупредителни указания, преди да използвате продукта.

- Бензинът е много лесно запалим и изпаренията му създават опасност от експлозия. Не допускате пушене, открит пламък, искри или топлина в близост, когато боравите с бензин.
- Никога не добавяйте гориво, докато продуктът работи или е горещ. Оставете двигателя да се охлади напълно, преди да добавите гориво.
- Никога не зареждайте резервоара за гориво на закрито.
- Спазвайте всички закони, регулации съхранението и боравенето с бензин.
- Не препълвайте резервоара за гориво. Винаги оставайте място за разширяване на горивото. Ако резервоарът за гориво е препълнен, горивото може да прелее върху горещия двигател и да причини пожар или експлозия.
- Никога не съхранявайте продукта с гориво в резервоара на място, където бензиновите пари могат да достигнат до открит пламък, искра или контролна светлина (напр. на фурна, бойлер или сушилна за дрехи). Възможно е да възникне

пожар или експлозия. Оставете продукта да се охлади изцяло преди съхранение.

- Избършете веднага разлято гориво или масло. Уверете се, че върху или в близост до продукта няма запалими материали. Поддържайте зоната около продукта чиста, без отпадъци. Оставете разстояние от 5 фута от всички страни, за да осигурите правилна вентилация на продукта.
- Не използвайте продукта, ако свързано с него електрическо устройство прегръва, ако електрическа мощност се губи или ако се наблюдава пламък или дим, докато продуктът работи.
- Винаги дръжте пожарогасител близо до продукта.
- Избягвайте разливането на гориво върху горещ двигател.
- Не пушете и не палете цигари близо до продукта или горивото.
- Източвайте горивото в одобрен контейнер на открито, далече от открит пламък. Уверете се, че двигателят е хладен.

## Безопасност относно отработените газове



**ПРЕДУПРЕЖДЕНИЕ:** Прочетете и разберете следващите предупредителни указания, преди да използвате продукта.

- Никога не използвайте продукта в затворени зони или на закрито! Никога не използвайте продукта вкъщи, в превозно средство или в частично затворени помещения като гаражи, дори ако вратите и прозорците са отворени! Използвайте продукта само на открито, далече от отворени прозорци, врати, вентилационни отвори и на място, в което няма да се натрупат смъртоносни отработени газове.
- Отработените газове на двигателя съдържат въглероден окис, който не можете да видите или помиришете. Ако се вдиша в достатъчна концентрация, този отровен газ може да причини безсъзнание или дори смърт.
- Достатъчният и безпрепятствен поток на въздух за охлаждане и вентилиране е от решаващо значение за правилната работа на продукта. Не изменяйте инсталацията и не допускайте дори частично блокиране на предвидената вентилация, тъй като това може сериозно да повлияе на безопасната работа на продукта. С продукта трябва да се работи на открито.
- В помещенията винаги трябва да имате работеща с батерия аларма за въглероден окис, инсталирана съгласно инструкциите на производителя.
- Ако започнете да се чувствате зле, замаяни или слаби след като продуктът е работил, незабавно се преместете на чист въздух. Отидете на лекар,

тъй като е възможно да имате отравяне с въглероден окис.

## Електрическа безопасност



**ПРЕДУПРЕЖДЕНИЕ:** Прочетете и разберете следващите предупредителни указания, преди да използвате продукта.

- По време на работа продуктът произвежда опасно високо напрежение. Докато продуктът работи, избягвайте контакт с голи проводници, клеми, връзки и т.н., дори и с оборудването, свързано към продукта. Уверете се, че са поставени всички подходящи капази, предпазители и прегради, преди да работите с продукта.
- Никога не боравете с електрически кабел или устройство, ако стоите във вода, ако сте боси или ако ръцете или краката Ви са мокри. Може да възникне опасен електрически удар.
- Някои държави могат да изискват рамката и външните електропроводими части на продукта да бъдат правилно свързани към одобрено заземяване. В някои държави може също да се изисква правилно заземяване на продукта. Консултирайте се с местен електротехник за изискванията за заземяване в района.
- Използвайте диференциалнотокова защита (GFCI) във всяка влажна или силнопроводима зона (като метални настилки или стоманени конструкции).
- Не използвайте с продукта износени, оголени, протрити или повредени по друг начин електрически кабели.
- В случай на злополука, причинена от електрически удар, незабавно изключете източника на електрическа енергия. Ако това не е възможно, опитайте се да освободите жертвата от проводника под напрежение. Избягвайте директен контакт с жертвата. Използвайте непроводящ предмет, като въже или дъска, за да освободите жертвата от проводника под напрежение. Ако жертвата е в безсъзнание, окажете първа помощ и незабавно потърсете медицинска помощ.

## Инструкции за безопасност за работа



**ПРЕДУПРЕЖДЕНИЕ:** Прочетете и разберете следващите предупредителни указания, преди да използвате продукта.

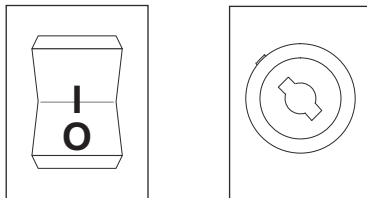
- Използвайте продукта само на равни повърхности и там, където той няма да бъде изложен на прекомерна влага, мръсотия, прах или корозивни изпарения.

- Дръжте ръцете, краката, дрехите си и т.н. далече от задвижващите ремъци, вентилаторите и другите движещи се части. Никога не сваляйте предпазител или щит на вентилатора, докато устройството работи.
- Определени части на генератора стават изключително горещи по време на работа. Стойте далече от генератора, докато се охлади, за да избегнете тежки изгаряния.
- Не използвайте продукта при дъжд.
- Не променяйте конструкцията на продукта и органите за управление, защото може да се създадат опасни условия на работа.
- Никога не стартирайте и не спирайте продукта, ако към контактите има свързани електроуреди и ако свързаните устройства са включени. Стартирайте двигателя и го оставете да се стабилизира, преди да свържете електроуредите. Изключете всички електроуреди, преди да изключите генератора.
- Не вкарвайте предмети в прорезите за охлаждане на продукта дори ако двигателят не работи.
- Когато работите с това оборудване, бъдете внимателни през цялото време. Никога не работете с оборудването, когато сте уморени физически или психически.
- Никога не стъпвайте върху продукта или някоя негова част. Стъпването върху продукта може да окаже натиск върху някои части, да ги счупи и да създаде опасни условия на работа поради изтичане на отработени газове, гориво, масло и др.
- Уверете се, че познавате всички органи за управление и настройки преди работа.
- Не претоварвайте продукта. Не претоварвайте също отделните контакти на панела. Тези контакти са защитени с прекъсвачи на електрическата верига срещу претоварване. Ако силата на тока на някой прекъсвач на електрическата верига се превиши, този прекъсвач се отваря и провеждането на електрически ток към този контакт се губи.
- Никога не стартирайте и не спирайте двигателя, когато електрически устройства са свързани към контактите и са включени.

безопасност са дефектни, говорете с Вашия сервис Husqvarna.

### Прекъсвач

Използвайте прекъсвачателя, за да стартирате и спирате двигателя.



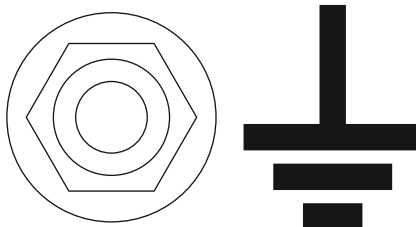
### Прекъсвачи на електрическа верига

Прекъсвачите на електрическата верига предотвратяват претоварването на продукта. Информация за номиналната стойност на всеки прекъсвач на електрическа верига е посочена близо до него.



### Клема за заземяване

Клемата за заземяване гарантира, че продуктът е правилно заземен. Преди всяко използване към клемата за заземяване трябва да бъде свързан заземяващ проводник.



### Приспособления за безопасност на машината



**ПРЕДУПРЕЖДЕНИЕ:** Прочетете следващите предупредителни указания, преди да използвате машината.

- Не използвайте машина с неизправни приспособления за безопасност.
- Проверявайте редовно приспособленията за безопасност. Ако приспособленията за



## Инструкции за безопасност при техническо обслужване



**ПРЕДУПРЕЖДЕНИЕ:** Преди да пристъпите към техническо обслужване на продукта, прочетете и разберете следващите предупредителни инструкции.

- От съображения за безопасност производителят препоръчва поддръжката на това оборудване да се извършва от упълномощен дистрибутор. Редовно проверявайте генератора и се свързвайте с най-близкия упълномощен дистрибутор за части, които се нуждаят от ремонт или подмяна.
- Този продукт е снабден със заглушител, който има искрогасител. Искрогасителят трябва да се поддържа в ефективно работно състояние от собственика/оператора.
- Изпускателната система за отработени газове трябва да се поддържа правилно. Не правете нищо, което може да наруши безопасността на изпускателната система за отработени газове или да я направи несъответстваща на местните правила и/или стандарти.
- Преди да извършите техническа поддръжка на продукта, изключете предназначения за запалване на двигателя акумулатор (ако има такъв), за да предотвратите случайно стартиране. Най-напред изключете кабела от клемата на акумулатора, обозначена като отрицателна, с NEG или (-). Свързвайте обратно този кабел последен.
- Всеки опит за развъртане или стартиране на двигателя преди правилната му поддръжка с препоръчаното масло може да доведе до повреда на двигателя.
- Когато работите върху продукта, винаги изключвайте лулата на запалителната свещ от запалителната свещ и дръжте капачката на запалителната свещ далеч от свещта.
- Горещото масло може да причини изгаряния. Оставете двигателя да се охлади преди да източите маслото. Избягвайте продължително или многократно излагане на кожата си на използвано масло. Измийте добре изложените места със сапун.
- Гаранцията на продукта не покрива елементи, които са били обект на злоупотреба или небрежност от страна на оператора. За да бъде изпълнена гаранцията напълно, операторът трябва да поддържа продукта според инструкциите в това ръководство на оператора.

## Монтаж

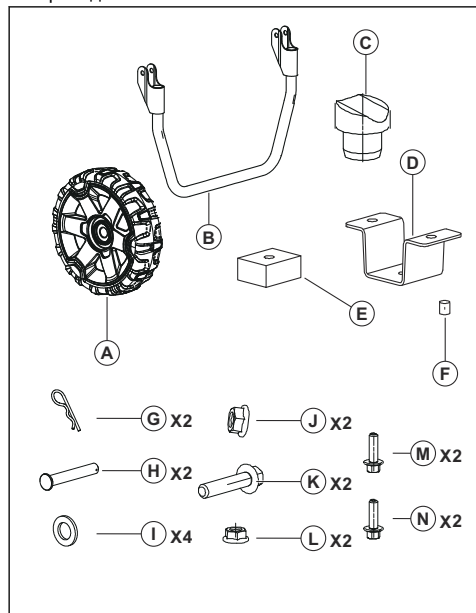
### Въведение



**ПРЕДУПРЕЖДЕНИЕ:** Прочетете и разберете главата за безопасност, преди да монтирате продукта.

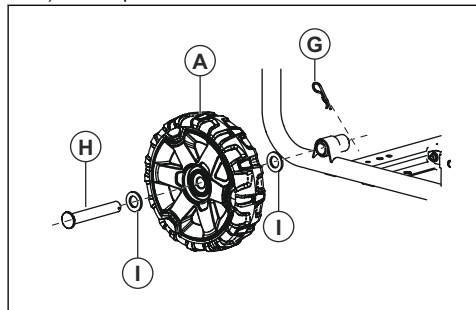
## За сглобяване на комплекта от принадлежности (G5500P, G8500P)

1. Научете частите на комплекта от принадлежности.

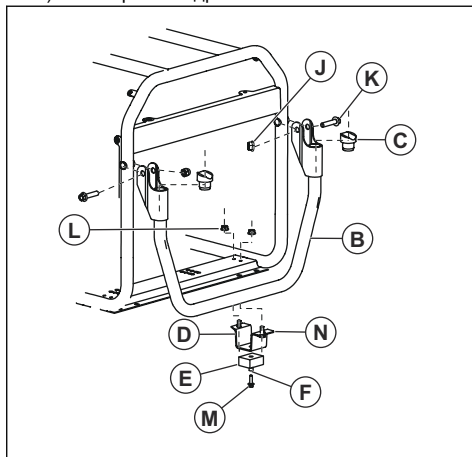


2. Сглобете комплекта от принадлежности. Вижте илюстрациите.

- a) Монтиране на колелата:



- b) Монтиране на дръжката:



## Инсталиране

### Въведение



**ПРЕДУПРЕЖДЕНИЕ:** Прочетете и разберете главата за безопасност, преди да монтирате продукта.

### Заземяване на продукта



**ПРЕДУПРЕЖДЕНИЕ:** Продуктът трябва да бъде заземен от човек с добър опит и познания в областта на електричеството. На някои места инсталацията трябва да се извърши от

одобрен електротехник. Съблюдавайте местните разпоредби.

1. Поставете заземяващ прът на дълбочина поне 24 инча в земята.



### ПРЕДУПРЕЖДЕНИЕ:

Заземяващият прът трябва да бъде от месинг или мед.

2. Свържете 2,5 mm<sup>2</sup> заземяващ кабел между клемата за заземяване на контролното табло и заземяващия прът.

**Забележка:** Заземяващият кабел и заземяващият прът не се доставят с продукта.

## За свързване на продукта към електрическата система на сграда



**ПРЕДУПРЕЖДЕНИЕ:** Продуктът трябва да бъде заземен от човек с добър опит и познания в областта на електричеството. На някои места инсталацията трябва да се извърши от одобрен електротехник. Съблюдавайте местните разпоредби.

- Използвайте ръчен трансферен превключвател за свързване на продукта към електрическа система.
- Уверете се, че извършвате процедурата в съответствие с всички национални и местни разпоредби.

## Операция

### Въведение



**ПРЕДУПРЕЖДЕНИЕ:** Прочетете и разберете раздела с инструкции за безопасност преди използване на продукта.

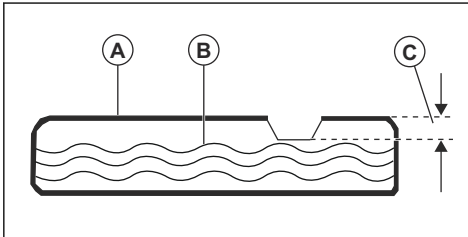
### За наливане на гориво

Използвайте безоловен бензин. Не използвайте бензин с повече от 10% етанол и не използвайте бензин E85.



**ВНИМАНИЕ:** Не смесвайте бензина с масло.

1. Спрете двигателя и оставете продукта да изстине. Направете справка с *Спиране на продукта на страница 28*.
2. Уверете се, че продуктът е поставен върху равна повърхност и на място с добър въздушен поток.
3. Отстранете капачката на резервоара за гориво.
4. Внимателно напълнете резервоара за гориво (A). Пълнете с гориво (B) до маркировката (C).



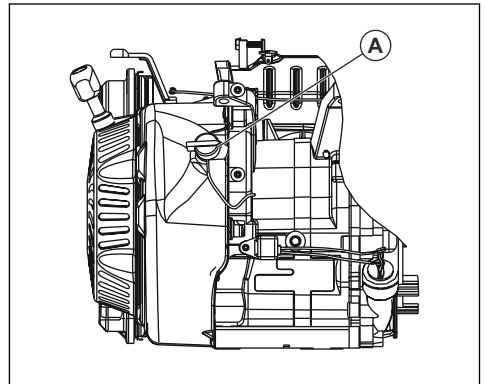
5. Почистете продукта от разлятото гориво.



**ВНИМАНИЕ:** Разлятото гориво представлява опасност от пожар и може да навреди на околната среда.

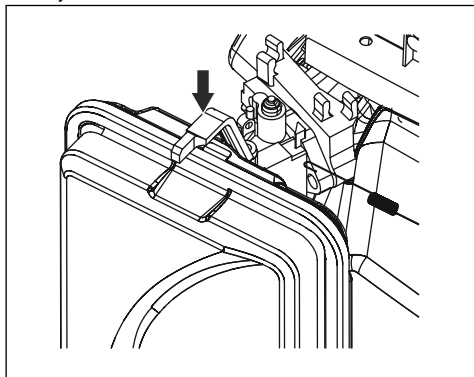
### За стартиране на продукта

1. Изключете всички електроуреди от контактите на разпределителното табло.
2. Уверете се, че продуктът е върху равна повърхност.
3. Отворете горивния клапан.
4. Поставете прекъсвача (A) на позиция ВКЛ.



5. Поставете смучака в положение ИЗКЛ.
6. Издърпайте бавно дръжката на въжето на стартера, докато усетите съпротивление.
7. Издърпайте бързо и силно ръкохватката на въжето на стартера, докато двигателят стартира.
8. За електрически старт направете стъпките, които следват.

- a) Натиснете и задръжте ключа за ВКЛ./ИЗКЛ./СТАРТ в положение за стартиране.
  - b) Когато двигателят стартира, преместете ключа за ВКЛ./ИЗКЛ./СТАРТ на положение ВКЛ.
9. Преместете смукача на положение ½ "задействан смукач".
  10. Когато двигателят заработи гладко, поставете смукача на положение ВКЛ.



**Забележка:** За G1300P положенията за ВКЛ. и ИЗКЛ. на смукача са в противоположна позиция.

## За свързване на електроуреди



**ПРЕДУПРЕЖДЕНИЕ:** Не свързвайте 240 (230) V уреди към контакти за 120 (110) V. Не свързвайте 3-фазни електроуреди към 1-фазен продукт. Не свързвайте електроуреди за 50 Hz към продукт за 60 Hz.

1. Стартирайте двигателя и го оставете за няколко минути да се загрее. Направете справка с *За стартиране на продукта на страница 27*.
2. Свържете и включете електроуредите.
3. Уверете се, че продуктът не се претоварва. Направете справка с *За предотвратяване на претоварване на продукта на страница 28*.

## За предотвратяване на претоварване на продукта

Претоварването на продукта може да причини повреда на него и на свързаните електрически устройства. За предотвратяване на претоварване на продукта изпълнете стъпките, които следват.

- Направете сбор от общата мощност във ватове на всички електрически устройства, които ще бъдат свързани едновременно.



**ВНИМАНИЕ:** Общата мощност не трябва да е по-голяма от капацитета за мощност на продукта.

- Номиналната мощност във ватове (W) за светлини може да се използва от електрически крушки. Номиналната мощност за инструменти, оборудване и двигатели може да се види на етикета на устройството.
- Ако за продукта, инструмента или оборудването няма спомената мощност във ватове (W), умножете напрежението във волтовете (V) по номиналната стойност на тока в амперы (A).
- Винаги свързвайте към продукта най-напред електрическите устройства с най-висока стартова мощност. След това добавете мощността на всички други свързани електроуреди.

## Спиране на продукта

1. Спрете и изключете всички електроуреди от контактите на разпределителното табло.



**ПРЕДУПРЕЖДЕНИЕ:** Не спирайте двигателя, ако електроуредите са включени и свързани към продукта.

2. Оставете двигателя да работи без товар за 30 секунди.
3. Поставете прекъсвача на позиция ИЗКЛ.
4. Затворете горивния клапан.

## Поддръжка

### Въведение



**ПРЕДУПРЕЖДЕНИЕ:** Прочетете и разберете главата с инструкции за безопасност, преди да започнете техническо обслужване на продукта.

### График за техническо обслужване

\* Почиствайте по-редовно, ако продуктът се използва в условия с повече прах.

\*\* Техническата поддръжка трябва да се извършва от одобрен сервизен дистрибутор.

Поддръжка	Всекидневно техническо обслужване преди работа	Интервал на техническо обслужване в часове				
		На 20 часа или на всеки месец	50 часа или на всеки 3 месеца	100 часа или на всеки 6 месеца	300 часа или 1 път на година	На всеки 2 години
Почистете продукта.	X					
Проверка на нивото на моторното масло.	X					
Проверете въздушния филтър.	X					
Почистете въздушния филтър.	X					
Проверете контейнера за отлагания.	X					
Сменете моторното масло.		X*				
Почистете или сменете въздушния филтър.			X*			
Проверете и почистете запалителната свещ.				X		
Проверете оборотите на празния ход. Ако е необходимо, регулирайте оборотите на празния ход.					X**	
Проверете хлабината на клапаните. Ако е необходимо, регулирайте хлабината на клапаните.					X**	
Почистете резервоара за гориво, цедката за гориво и карбуратора.					X**	
Почистете камерата на горенето.					X**	
Сменете горивопроводите, ако е необходимо.						X**

## За почистване на продукта



**ВНИМАНИЕ:** Не използвайте вода за почистване на продукта. Водата може да повреди продукта.

- Използвайте влажна кърпа за почистване на външните повърхности на продукта.
- Използвайте мека четка, за да премахнете замърсяванията и маслото.
- Използвайте прахосмукачка за отстраняване на замърсявания без примеси, както и нежелани материали от продукта.
- Използвайте въздух под налягане, за да отстраните замърсяванията от ребрата за охлаждане и други отвори на продукта.



**ВНИМАНИЕ:** Налягането на въздуха под налягане не трябва да е по-голямо от 25 psi.

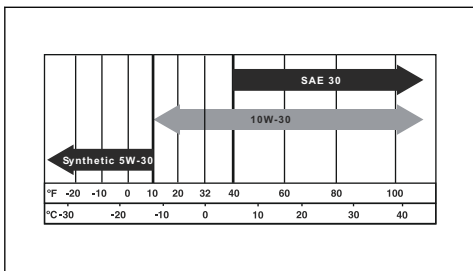
## За проверка на нивото на моторното масло



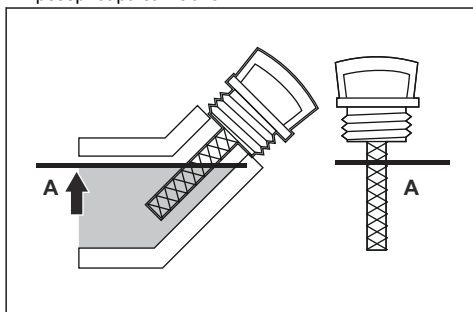
**ВНИМАНИЕ:** Не работете с продукта при ниско ниво на моторното масло. Това може да доведе до повреждане на двигателя.



**ВНИМАНИЕ:** Използвайте двигателно масло от клас SJ, SL или по-висок клас спрямо Американския петролен институт (API). Не използвайте специални добавки. Изберете вискозитет, който е подходящ за температурата на околната среда. Вижте илюстрацията по-долу.



1. Спрете напълно продукта и се уверете, че продуктът се намира върху равна повърхност.
2. Почистете зоната около резервоара за масло.
3. Свалете капачката на резервоара за масло и мерителната пръчка.
4. Почистете маслото от мерителната пръчка.
5. Поставете обратно мерителната пръчка докрай в резервоара за масло.
6. Извадете мерителната пръчка.
7. Вижте колко е нивото на моторното масло на мерителната пръчка.
8. Ако нивото на моторното масло е ниско, пълнете с моторно масло, докато достигне маркировката (A) на мерителната пръчка. Вижте *Технически данни на страница 34* за вместимостта на резервоара за масло.



9. Проверете отново нивото на моторното масло.
10. Поставете капачката на резервоара за масло и мерителната пръчка.

## За смяна на моторното масло

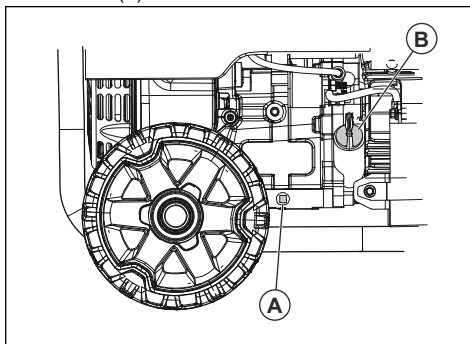
**Забележка:** Източвайте моторното масло, когато двигателят е топъл. Топлото моторно масло се източва по-бързо.



### ПРЕДУПРЕЖДЕНИЕ:

Моторното масло става много горещо и може да причини изгаряния. Оставете двигателя да изстине, преди да източите маслото.

1. Почистете зоната около изпускателната пробка за масло (A).

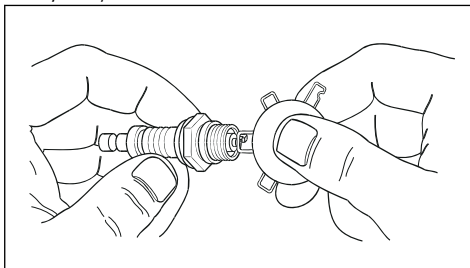


2. Поставете подходящ съд за гориво под отвора за източване.
3. Отстранете изпускателната пробка за масло и капачката на резервоара за масло (B).
4. Източете моторното масло в съда.
5. Поставете изпускателната пробка за масло и я затегнете.
6. Напълнете моторно масло. Направете справка с *За проверка на нивото на моторното масло на страница 29*.
7. Почистете разлятото масло.
8. Предайте за рециклиране използваното моторно масло в одобрено място за изхвърляне.

## За смяна на запалителна свещ

Подменяйте запалителната свещ веднъж годишно.

1. Спрете двигателя.
2. Отстранете лулата на запалителната свещ от запалителната свещ.
3. Почистете зоната около запалителната свещ и извадете свещта от цилиндъра.
4. Регулирайте разстоянието между електродите. Направете справка с *Технически данни на страница 34*.



5. Инсталирайте нова запалителна свещ. Затегнете до въртящ момент от 15 ft/lbs.

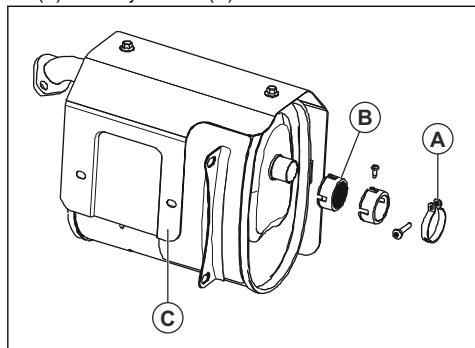
## За проверка на искрогасителната мрежа

Проверявайте и почиствайте искрогасителната мрежа веднъж годишно или по-често, ако е необходимо.



**ПРЕДУПРЕЖДЕНИЕ:** В някои зони и условия трябва да използвате искрогасителна мрежа, за да предотвратите риска от пожар. Съблюдавайте местните разпоредби.

1. Извадете скобата (А) и искрогасителната мрежа (В) от заглушителя (С).



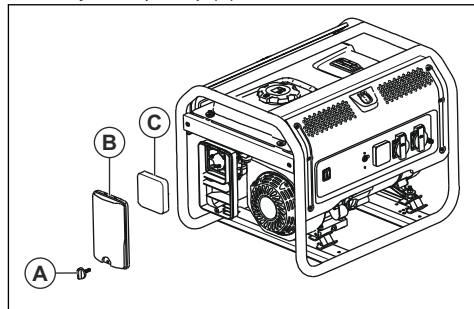
2. Почистете искрогасителната мрежа с разтворител, наличен на пазара.
3. Прегледайте искрогасителната мрежа за износване и повреди. Подменете искрогасителната мрежа, ако е необходимо.



**ВНИМАНИЕ:** Не използвайте продукт с повредена искрогасителна мрежа.

## За да проверите въздушния филтър

1. Отстранете регулатора (А) и капака на въздушния филтър (В).



2. Свалете въздушния филтър (С).
3. Почистете въздушния филтър и капака на въздушния филтър със сапунена вода.
4. Оставете въздушния филтър и капака на въздушния филтър да изсъхнат.
5. Монтирайте въздушния филтър, капака на въздушния филтър и регулатора.

## Отстраняване на проблеми

### График за отстраняване на проблеми

Проблем	Причина	Решение
Двигателят спира, когато товарът е прекалено голям.	Въздушният филтър не е чист.	Почистете или сменете въздушния филтър.
	Двигателят не е топъл.	Оставете двигателя да се загрее преди работа.

Проблем	Причина	Решение
Двигателят не успява да запали.	Запалителната свещ е разхлабена.	Проверете свързването на проводниците.
	Неправилно разстояние между електродите.	Подменете лулата на запалителната свещ.
	Лулата на запалителната свещ е повредена.	Подменете лулата на запалителната свещ.
	Бензин с изтекъл срок на годност или ниско качество.	Наливане на гориво.
	Неправилна компресия.	Регулирайте компресията.
Двигателят спира внезапно.	Нивото на моторното масло е ниско.	Напълнете моторно масло.
	Резервоарът за гориво е празен или има нискокачествен бензин.	Наливане на гориво.
	Дефектна капачка на резервоара за гориво.	Подменете капачката на резервоара за гориво.
	Дефектен магнит.	Обърнете се към одобрен сервизен търговец.
	Лулата на запалителната свещ не е поставена правилно.	Поставете лулата на запалителната свещ.
Възниква чукане в двигателя.	Бензин с изтекъл срок на годност или ниско качество.	Наливане на гориво.
	Претоварване на двигателя.	Направете справка с <i>За предотвратяване на претоварване на продукта на страница 28</i> .
	Механичен проблем.	Обърнете се към одобрен сервизен търговец.
Появява се запалване от заглушителя.	Бензин с ниско качество.	Наливане на гориво.
	Двигателят е прекалено студен.	Използвайте гориво за студени условия и добавки в маслото.
	Входният клапан е блокиран или двигателят е твърде горещ.	Обърнете се към одобрен сервизен търговец.
	Неправилна синхронизация на запалването.	Проверете синхронизацията на запалването.



Проблем	Причина	Решение
Продуктът няма мощност.	Продуктът не е свързан към електрическия източник.	Спрете продукта и го разкачете. Свържете продукта и го стартирайте отново.
	Прекъсвачът на електрическата верига се е задействал.	Спрете продукта и го разкачете. Рестартирайте прекъсвача на електрическата верига. Свържете продукта и го стартирайте отново.
	Контактът е включен.	Спрете продукта и го разкачете. Извършете тест на контакта. Ако контактът не е повреден, стартирайте и свържете продукта отново.
	Необходимо е сервизно обслужване.	Обърнете се към одобрен сервизен търговец.
Продуктът не работи правилно.	Проблем с електрическо устройство.	Разкачете електрическото устройство. Обърнете се към одобрен сервизен търговец.
	В продукта има прекалено голям товар.	Намалете количеството електрически устройства, свързани към продукта.



**ВНИМАНИЕ:** Ако проблемът остава, тогава говорете с одобрен сервизен дистрибутор.

## За да подготвите продукта за продължително съхранение

Извършете следните стъпки, ако продуктът ще се съхранява за повече от 30 дни. Следната процедура предотвратява проблеми с горивната система.

1. Добавете стабилизатор към горивото. Стабилизаторът на горивото трябва да бъде съгласно препоръката на производителя.
2. Работете с продукта за 10 – 15 минути.
3. Оставете двигателя да изстине и източете резервоара за гориво.



**ВНИМАНИЕ:** Не оставяйте гориво за продължително съхранение. Изхвърлете бензин, който не е чист.

4. Стартирайте двигателя и го оставете да работи, докато се използва цялото гориво и продуктът спре.
5. Оставете двигателя да изстине и сменете моторното масло.
6. Отстранете лулата на запалителната свещ и налейте ½ oz/15 ml моторно масло в цилиндъра.

7. Поставете кърпа върху отвора за запалителната свещ за защита.
8. Дръпнете дръжката на въжето за стартиране 5 пъти, за да се смажат частите на двигателя.
9. Монтирайте и затегнете запалителната свещ.



**ПРЕДУПРЕЖДЕНИЕ:** Не монтирайте лулата на запалителната свещ.

10. Почистете продукта.
11. Поставете продукта на чисто и сухо място на закрито.
12. Поставете капак върху продукта за защита.



**ПРЕДУПРЕЖДЕНИЕ:** Не поставяйте капак върху продукта, докато е топъл.

## Технически данни

### Технически характеристики

	Husqvarna G1300P	Husqvarna G1300P	Husqvarna G2500P	Husqvarna G2500P	Husqvarna G3200P
Работен обем на двигателя, cc	98,5	98,5	196	196	212
Пикова мощност, W <sup>3</sup>	1000	1200	2200	2800	3000
Номинална мощност, W	800	1000	2000	2500	2800
Напрежение, V	230	110/220, 120/240	230	110/220, 120/240	230
Номинална честота, Hz	50	60	50	60	50
Фаза	1	1	1	1	1
Нетно тегло, kg	28,0	28,0	43,0	43,0	49,0
Брутно тегло, kg	29,2	29,2	45,0	45,0	51,0
Размер в опаковано състояние, mm	500 X 375 X 435	500 X 375 X 435	500 X 375 X 435	500 X 375 X 435	625 X 495 X 495
Вместимост на резервоара за масло, l	0,45	0,45	0,6	0,6	0,6
Разстояние между електродите, mm/in	0,76/0,030	0,76/0,030	0,76/0,030	0,76/0,030	0,76/0,030
Тип	Бензин	Бензин	Бензин	Бензин	Бензин
Измерено ниво на звуковата мощност, dB (A)			95	95	96
Гарантирано ниво на звуковата мощност, dB (A)			95	95	96

<sup>3</sup> Максималната мощност зависи и се ограничава от фактори, като енергийно съдържание на горивото, температура на околната среда, надморска височина, състояние на двигателя и др. Максималната мощност намалява с около 3,5% на всеки 1000 фута над морското равнище, както и с около 1% за всеки 6°C (10°F) над 16°C (60°F) температура на околната среда.

	Husqvarna G3200P	Husqvarna G5500P	Husqvarna G5500P	Husqvarna G8500P	Husqvarna G8500P
Работен обем на двигателя, cc	212	389	389	458	458
Пикова мощност, W <sup>4</sup>	3200	5500	6000	8000	8500
Номинална мощност, W	3000	5000	5500	7500	8000
Напрежение, V	110/220, 120/240	230	110/220, 120/240	230	110/220, 120/240
Номинална честота, Hz	60	50	60	50	60
Фаза	1	1	1	1	1
Нетно тегло, kg	49,0	88,0	88,0	106,4	106,4
Брутно тегло, kg	51,0	91,0	91,0	109,5	109,5
Размер в опакованото състояние, mm	625 X 495 X 495	720 X 560 X 585	720 X 560 X 585	720 X 560 X 585	720 X 560 X 585
Вместимост на резервоара за масло, l	0,6	1,1	1,1	1,1	1,1
Разстояние между електродите, mm/in	0,76/0,030	0,76/0,030	0,76/0,030	0,76/0,030	0,76/0,030
Тип	Бензин	Бензин	Бензин	Бензин	Бензин
Измерено ниво на звуковата мощност, dB (A)	96				
Гарантирано ниво на звуковата мощност, dB (A)	96				

## Таблица за справка за мощност във ватове

**Забележка:** Всички стойности са приблизителни. За изискванията за мощност вижте етикета с данни на уреда.

Устройство	Работна мощност във ватове	Допълнителна мощност при стартиране във ватове
<b>Аварийна ситуация</b>		

<sup>4</sup> Максималната мощност зависи и се ограничава от фактори, като енергийно съдържание на горивото, температура на околната среда, надморска височина, състояние на двигателя и др. Максималната мощност намалява с около 3,5% на всеки 1000 фута над морското равнище, както и с около 1% за всеки 6°C (10°F) над 16°C (60°F) температура на околната среда.

Устройство	Работна мощност във ватове	Допълнителна мощност при стартиране във ватове
Хладилник/фризер	700	1500
Радио	100	0
<b>Място на работа</b>		
Въздушен компресор – ½ HP	1000	1000
Циркуляр – 10"	1700	1300
Лентова шлифовъчна машина – 3"	1200	1200
Ръчна бормашина – ½"	600	600
Халогенна работна лампа	1000	0
Електрически трион	900	900
<b>Забавление</b>		
AM/FM радио	100	0
Електрическа скара	1700	0
Помпа за напompване 50	100	-
CD/DVD плейър	100	0
Вентилатор за прозорец – 20"	200	200
Кафемашина	600	0
<b>Домакинство</b>		
Компютър с монитор	800	0
Електрическа сушилня за дрехи	5500	500
Електрическа готварска печка	2100	0
Електрически бойлер	2000	0
Крушка – 100 W	100	0
Микровълнова фурна – 1000 W	1000	200
Помпа за изпompване на вода – ½ HP	1000	1100
Телевизор	400	0
Перална машина	1100	1100
Помпа за кладенец – ½ HP	1000	1000
<b>Тревна площ и градина</b>		
Ножици за жив плет	400	400
Водоструйка	1200	1200
Косачка за трева	1200	1200
За оформяне на ръбове	1000	1000
<b>Отопление и охлаждане</b>		

<b>Устройство</b>	<b>Работна мощност във ватове</b>	<b>Допълнителна мощност при стартиране във ватове</b>
Централен климатик – 10 000 BTU	1500	1500
Вентилатор за отопление – ½ HP	900	1400
Уред за отопление	1800	0
Климатик за прозорец – 10 000 BTU	1200	600

---

# Декларация за съответствие на ЕО

---

## Декларация за съответствие на ЕО

За следното оборудване:

- Наименование на продукта: Преносим генератор
- Функция: Генератор с ниска мощност
- Модел №: G 2500P, G 3200P
- Сериен №: 1945013770, 1945013793 и нататък

**потвърждава изпълнението на всички приложими разпоредби на**

- Директива на машините (2006/42/ЕО)
- Директива за ниско напрежение (2014/35/ЕС)
- Директива относно ограничението на опасни вещества (RoHS) (2011/65/ЕС)
- Директива за електромагнетична съвместимост (2014/30/ЕС)
- Директивата за емисии на шум от оборудване за използване на открито (2000/14/ЕО + 2005/88/ЕО)

**и съответствието със следния хармонизиран стандарт:**

- EN ISO 8528-13:2016, EN 61000-6-1:2007; EN 55012:2007+A1

**Процедура за оценяване на съответствие:  
2000/14/ЕО, изменена от 2005/88/ЕО – анекс VI**

TÜV Rheinland LGA Products GmbH, нотифициран орган за машинно оборудване (нотифициран под номер 0197), Tillystraße 2 - 90431 Nürnberg, Германия, извърши сертифицирането на шума. За информация относно шумови емисии направете справка с *Технически данни на страница 34*.

Huskvarna, 10.6.2020 г.



Claes Losdal, мениджър "Разработки и Развитие"/"Градински продукти" (оторизиран представител на Husqvarna AB и отговорник за техническата документация).

## Obsah

Úvod.....	39	Údržba.....	47
Bezpečnost.....	42	Odstraňování problémů.....	50
Montáž.....	45	Příprava výrobku na dlouhodobé uskladnění.....	51
Instalace.....	45	Technické údaje.....	52
Provoz.....	46	ES Prohlášení o shodě.....	56

## Úvod

### Popis výrobku

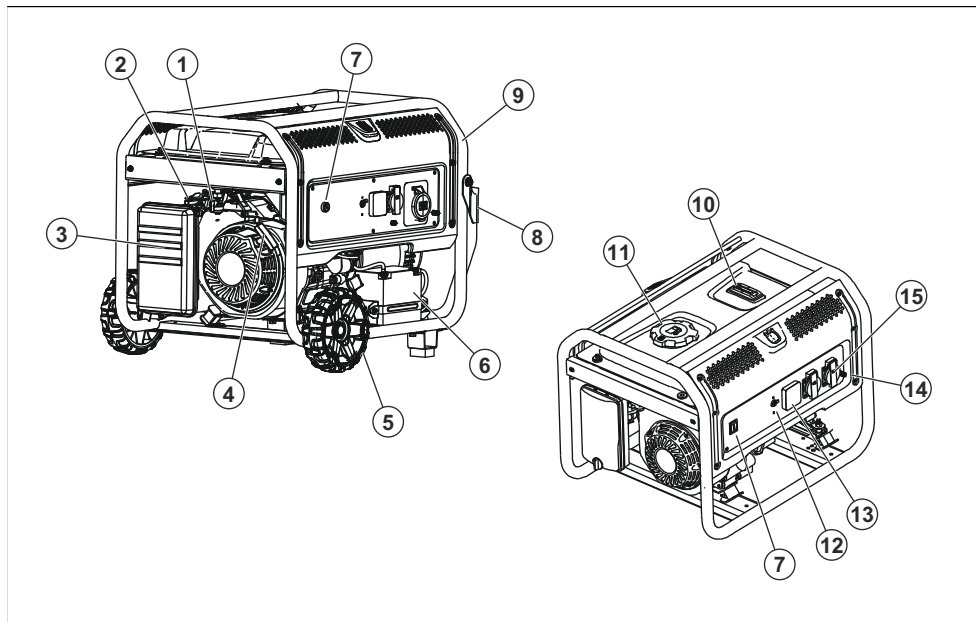
Tento výrobek je přenosný agregát se spalovacím motorem.

### Zamýšlené použití

Výrobek dodává elektrickou energii pro provoz elektrických zátěží v místech, kde není k dispozici

přívod elektrické energie. K jiným činnostem výrobek nepoužívejte.

### Popis výrobku



- |                     |                           |
|---------------------|---------------------------|
| 1. Palivový ventil  | 9. Rám                    |
| 2. Sytič            | 10. Palivoměr             |
| 3. Vzduchový filtr  | 11. Víčko palivové nádrže |
| 4. Rukojeť startéru | 12. Přerušovače obvodu AC |
| 5. Kolo             | 13. Měřič VFT             |
| 6. Baterie          | 14. Zemnicí svorka        |
| 7. Vypínač          | 15. Zásuvka AC            |
| 8. Rukojeť          |                           |

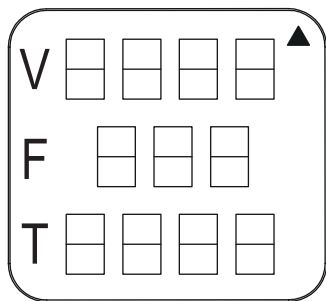
## Svorka 12 V DC

Svorka 12 V DC je zdroj napájení pro jednotky napájené napětím 12 V DC.



## Měřič VFT

Měřič VFT zobrazuje napětí, frekvenci a celkovou dobu provozu výrobku.



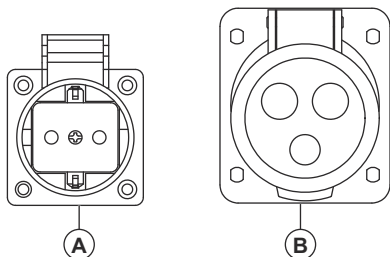
## Zásuvky AC

Výrobek má několik zásuvek AC, které dodávají energii přístrojům a zařízením. Zásuvky AC se v různých oblastech trhu liší.

EU, 1 fáze, 50 Hz

A: 2kolíková zásuvka, 230 V.

B: 3kolíková zásuvka, 32 A 230 V.

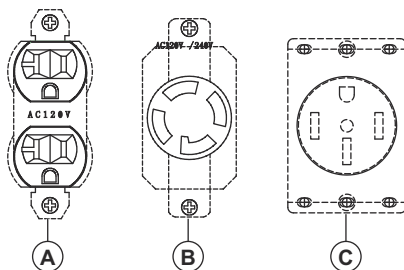


USA, 1 fáze, 60 Hz

A: 3kolíková duplexní zásuvka, 120 V.

B: 4kolíková zásuvka, 30 A 120/240 V, s mechanismem Twist Lock.

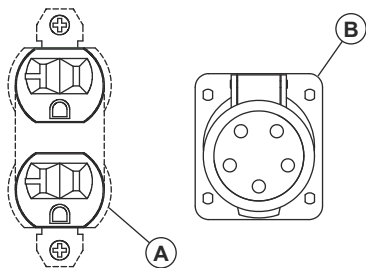
C: 4kolíková zásuvka, 50 A 120/240 V



USA, 3 fáze, 60 Hz

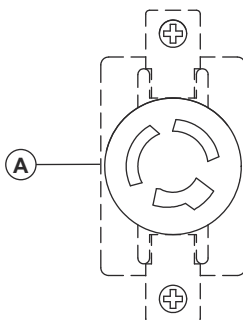
A: 3kolíková duplexní zásuvka, 110 V.

B: 5kolíková zásuvka, 3 fáze, 127/220 V.



CN, 1 fáze, 50 Hz

A: 3kolíková zásuvka, 230 V, s mechanismem Twist Lock.





## Symbole na výrobku



**VAROVÁNÍ!** Buďte opatrní a výrobek používejte správně. Tento výrobek může způsobit obsluze a dalším osobám vážné zranění.



Pozorně si přečtěte tento návod k používání a nepoužívejte stroj, pokud mu zcela nerozumíte.



Nebezpečí požáru nebo výbuchu.



Nebezpečí otravy oxidem uhelnatým. Neprovozujte výrobek v prostoru se špatným prouděním vzduchu.



Nebezpečí úrazu elektrickým proudem.



Nebezpečí popálení.



Doplňte olej.



Doplňte palivo.



Otevřete ventil přívodu paliva.



Nastavte vypínač do polohy zapnuto.



Nastavte sytič do polohy vypnuto.



Nastavte sytič do polohy zapnuto.



Zatáhněte za rukojeť startovací šňůry.



Připojte elektrické zátěže.



Odpojte elektrické zátěže.



Zavřete ventil přívodu paliva.



Emise hluku do životního prostředí podle směrnice EU 2000/14/ES a podle nařízení o regulaci hluku v australském Novém Jižním Walesu „Protection of the Environment Operations (Noise Control) Regulation 2017“. Údaje o emisích hluku naleznete na štítku stroje a v kapitole Technické údaje.



Nepoužívejte výrobek ve vnitřních prostorech.



Používejte výrobek venku. Používejte výrobek v bezpečné vzdálenosti od oken, dveří a větracích otvorů.





Nastavte sytič do polohy zapnuto a počkejte 50 sekund.



Nastavte sytič do polohy vypnuto a počkejte 50 sekund.



Počkejte 30 sekund a nastavte vypínač do polohy vypnuto.

	Prod. year 0000
Product	<input type="text"/>
Serial No.	<input type="text"/>
Article No.	<input type="text"/>
Model	<input type="text"/>
Weight	<input type="text"/>
Rated current	<input type="text"/>
Max Power	<input type="text"/>
COP Power	<input type="text"/>
Voltage	<input type="text"/>
Rated Frequency	<input type="text"/>
Power factor	<input type="text"/>
Performance class	<input type="text"/>
Quality class	<input type="text"/>
Protection class	<input type="text"/>
Husqvarna AB SE-561 82 Huskvarna Sveden	Low-power generating set 

## Bezpečnost

### Definice týkající se bezpečnosti

Varování, upozornění a poznámky slouží jako upozornění na specifické důležité části návodu.



**VÝSTRAHA:** Používá se v případě nebezpečí úrazu nebo usmrcení obsluhy nebo okolních osob, pokud nejsou dodrženy pokyny uvedené v této příručce.



**VAROVÁNÍ:** Používá se v případě nebezpečí poškození výrobku, dalších materiálů či škod na majetku v blízkém okolí, pokud nejsou dodrženy pokyny uvedené v této příručce.

**Povšimněte si:** Používá se k poskytnutí dalších informací, které jsou nezbytné v dané situaci.

### Obecné bezpečnostní pokyny



**VÝSTRAHA:** Před použitím výrobku si musíte přečíst následující varování a porozumět jim.

- Před zahájením provozu si přečtěte návod k používání a bezpečnostní štítky na výrobku a ujistěte se, že jim rozumíte. Vaše bezpečnost a bezpečnost ostatních osob je vaší odpovědností.
- Řiďte se pokyny v návodu k používání.
- Není možné upozornit na každou situaci, která může nastat během provozu a údržby tohoto výrobku. Buďte stále opatrní a používejte zdravý rozum.

### Bezpečnost při manipulaci s palivem



**VÝSTRAHA:** Před použitím výrobku si musíte přečíst následující varování a porozumět jim.

- Benzín je vysoce hořlavý a jeho výpary jsou výbušné. Při manipulaci s benzínem je zakázáno kouřit. S benzínem se nesmí manipulovat v blízkosti otevřeného ohně, jisker a zdrojů tepla.
- Nikdy nedoplňujte palivo, pokud je výrobek v provozu nebo horký. Před doplněním paliva nechte motor zcela vychladnout.
- Palivovou nádrž nikdy nedoplňujte v uzavřených prostorech.
- Dodržujte všechny zákony týkající se skladování benzínu a manipulace s benzínem.
- Nepřepĺňujte palivovou nádrž. Vždy ponechte prostor pro rozpínání paliva. Po přepĺnění nádrže může palivo přetéct na horký motor a způsobit požár nebo výbuch.
- Nikdy neskladujte výrobek s palivem v palivové nádrži, kde by se výpary benzínu mohly přiblížit k otevřenému ohni, jiskrám nebo zapalovacímu plaménku (například pece, ohříváče vody nebo sušičky). Může dojít k požáru nebo výbuchu. Před uložením nechte vždy výrobek zcela vychladnout.
- Ihned setřete veškeré rozlité palivo nebo olej. Zajistěte, aby na výrobku nebo v jeho blízkosti nebyly žádné hořlavé materiály. Udržujte oblast v okolí výrobku čistou. Na všech stranách udržujte volný prostor 1,5 m (5 stop), aby bylo zajištěno řádné větrání výrobku.
- Nepoužívejte výrobek, pokud se připojené elektrické zařízení přehřívá, pokud dojde ke ztrátě elektrického

výstupu nebo pokud je při provozu výrobku pozorován oheň nebo kouř.

- Vždy mějte v blízkosti výrobku k dispozici hasicí přístroj.
- Zabraňte rozlití paliva na horký motor.
- V blízkosti výrobku nebo paliva nekuřte a nezapalujte cigarety.
- Palivo vypouštějte venku do kontejneru k tomuto účelu, a to v dostatečné vzdálenosti od otevřeného ohně. Zkontrolujte, zda je motor studený.

## Nebezpečné výfukové plyny



**VÝSTRAHA:** Před použitím výrobku si musíte přečíst následující varování a porozumět jim.

- Nikdy nepoužívejte výrobek v uzavřeném nebo vnitřním prostoru! Výrobek nikdy nepoužívejte doma, ve vozidle nebo v částečně uzavřených prostorech, jako jsou garáže, a to ani v případě, že jsou otevřené dveře a okna! Výrobek používejte pouze venku, v oblasti, kde se nebudou hromadit smrtící výfukové plyny, a daleko od otevřených oken, dveří, větracích otvorů.
- Výfukové plyny motoru obsahují oxid uhelnatý, který není vidět a je bez zápachu. Tento jedovatý plyn může způsobit bezvědomí nebo dokonce smrt, pokud je vdechován v dostatečných koncentracích.
- Pro správnou funkci výrobku je rozhodující přiměřené a neomezené proudění chladícího a větracího vzduchu. Neměňte instalaci ani neumožněte částečné zablokování ventilačního systému, protože by to mohlo negativně ovlivnit bezpečný provoz výrobku. Výrobek je nutné používat venku.
- Ve vnitřním prostoru vždy používejte bateriový detektor oxidu uhelnatého instalovaný v souladu s pokyny výrobce.
- Pokud se při používání tohoto výrobku nebudete cítit dobře nebo pokud zaznamenáte nevolnost či slabost, okamžitě se přesuňte na čerstvý vzduch. Navštivte lékaře, protože by se mohlo jednat o otravu oxidem uhelnatým.

## Bezpečnost při používání el. energie



**VÝSTRAHA:** Před použitím výrobku si musíte přečíst následující varování a porozumět jim.

- Výrobek během provozu generuje nebezpečně vysoké napětí. Zabraňte kontaktu s obnaženými vodiči, svorkami, připojeními atd., pokud je výrobek v provozu, a to i u zařízení připojeného k výrobku. Před uvedením výrobku do provozu se ujistěte, že jsou na svém místě všechny příslušné kryty, ochranné kryty a zábrany.

- Nikdy nemanipulujte s žádným elektrickým kabelem nebo zařízením, pokud stojíte ve vodě, naboso nebo pokud máte vlhké ruce nebo nohy. Může dojít k nebezpečnému úrazu elektrickým proudem.
- V některých zemích může být nutné, aby byly rám a vnější elektricky vodivé části výrobku řádně připojeny ke schválenému uzemnění. Některé země mohou také vyžadovat řádné uzemnění výrobku. Požadavky na uzemnění v dané oblasti konzultujte s místním elektrikářem.
- V jakékoli vlhké nebo vysoce vodivé oblasti (například na plechové střeše nebo při práci s ocelí) použijte proudový chránič (GFCI).
- S výrobkem nepoužívejte opotřebované, odhalené, roztržené nebo jinak poškozené sady elektrických kabelů.
- V případě nehody způsobené elektrickým proudem okamžitě vypněte zdroj elektrické energie. Pokud to není možné, pokuste se oběť osvobodit od vodiče pod proudem. Vyhněte se přímému kontaktu s obětí. K osvobození oběti od vodiče pod proudem použijte nevodivé pomůcky, například lano nebo prkno. Pokud je oběť v bezvědomí, poskytněte první pomoc a okamžitě přivolejte lékařskou pomoc.

## Bezpečnostní pokyny pro provoz



**VÝSTRAHA:** Před použitím výrobku si musíte přečíst následující varování a porozumět jim.

- Výrobek používejte pouze na rovném povrchu a v místech, kde nebude vystaven nadměrné vlhkosti, nečistotám, prachu nebo korozivním výparům.
- Udržujte ruce, nohy, oděv atd. v dostatečné vzdálenosti od hnacích řemenů, ventilátorů a dalších pohyblivých dílů. Nikdy neodstraňujte kryt ventilátoru, pokud je jednotka v provozu.
- Některé části generátoru se během provozu velmi zahřívají. Udržujte bezpečný odstup od generátoru, dokud nevychladne, aby nedošlo k vážným popáleninám.
- Nepoužívejte výrobek v dešti.
- Neupravujte konstrukci výrobku ani neměňte ovládací prvky. Mohlo by to způsobit nebezpečné provozní podmínky.
- Nikdy nespouštějte ani nezastavujte výrobek, pokud je k zásuvkám připojena elektrická zátěž a jsou zapnutá připojená zařízení. Nastartujte motor a před připojením elektrických zátěží jej nechte stabilizovat. Před vypnutím generátoru odpojte všechny elektrické zátěže.
- Nevkládejte předměty do chladících otvorů výrobku, ani když motor neběží.
- Při práci na tomto zařízení buďte neustále v pohotovosti. Nikdy nepracujte na zařízení, pokud jste fyzicky nebo psychicky unaveni.

- Nikdy nepoužívejte výrobek ani žádnou z jeho částí jako stupátko. Stoupání na výrobek může způsobit namáhání, prasknutí nebo poškození dílů a může vést k nebezpečným provozním podmínkám v důsledku úniku výfukových plynů, úniku paliva, úniku oleje atd.
- Před uvedením do provozu se ujistěte, že máte znalosti o všech ovládacích prvcích a nastaveních.
- Produkt nepřetěžujte. Také nepřetěžujte zásuvky jednotlivých panelů. Tyto výstupy jsou chráněny před přetížením přerušovače obvodu. Dojde-li k překročení jmenovité hodnoty elektrického proudu některého přerušovače obvodu, tento přerušovač se rozpojí a dojde ke ztrátě elektrického výstupu této zásuvky.
- Nikdy nespouštějte ani nezastavujte motor, pokud jsou elektrická zařízení připojena do zásuvek a zařízení zapnuta.

## Bezpečnostní zařízení na produktu

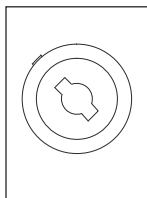
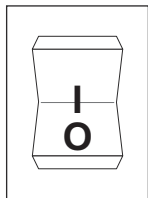


**VÝSTRAHA:** Před použitím výrobku si přečtěte následující varování.

- Nepoužívejte výrobek, jehož bezpečnostní zařízení jsou vadná!
- Pravidelně kontrolujte bezpečnostní zařízení. Pokud je zařízení vadné, obraťte se na servis Husqvarna.

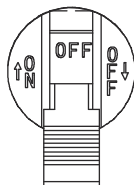
## Vypínač

Ke spuštění a zastavení motoru použijte vypínač.



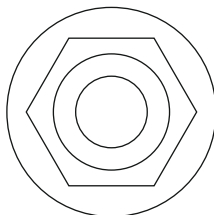
## Přerušovače obvodu

Přerušovače obvodu brání přetížení výrobku. Informace o jmenovité hodnotě přerušovače obvodu jsou uvedeny vedle přerušovače.



## Zemnicí svorka

Zemnicí svorka zajišťuje správné uzemnění výrobku. Před každým zásahem je nutné připojit uzemňovací vodič k zemnicí svorce.



## Bezpečnostní pokyny pro údržbu



**VÝSTRAHA:** Před prováděním údržby výrobku si musíte přečíst následující varování a porozumět jim.

- Z bezpečnostních důvodů výrobce doporučuje, aby údržbu tohoto zařízení prováděl autorizovaný prodejce. Pravidelně kontrolujte generátor a požádejte nejbližšího autorizovaného prodejce o díly vyžadující opravu nebo výměnu.
- Tento výrobek je vybaven tlumičem výfuku s lapačem jisker. Vlastník/obsluha stroje musí lapač jisker udržovat v účinném provozním stavu.
- Výfukový systém musí být řádně udržován. Neprovádějte žádné úpravy, které by mohly učinit výfukový systém nebezpečným nebo nesplňujícím místní předpisy nebo normy.
- Před prováděním údržby výrobku odpojte startovací baterii motoru (je-li součástí výbavy), aby se zabránilo náhodnému spuštění. Jako první odpojte kabel od svorky baterie, která je označena „negative“, „NEG“ nebo (-). Tento kabel připojte jako poslední.

- Jakýkoli pokus o protočení nebo nastartování motoru před jeho správným naplněním doporučeným olejem může mít za následek vážnou poruchu motoru.
- Při práci na výrobku vždy odpojte koncovku kabelu zapalovací svíčky od zapalovací svíčky a udržujte ji mimo dosah zapalovací svíčky.
- Horký olej může způsobit popáleniny. Před vypuštěním oleje nechte motor vychladnout.

Zabraňte dlouhodobému nebo opakovanému vystavení pokožky použitému oleji. Pečlivě omyjte zasažená místa mýdlem.

- Záruka tohoto výrobku se nevztahuje na škody způsobené nesprávným použitím nebo nedbalostí uživatele. Plná hodnota záruky se poskytuje pouze v případě, že uživatel udržoval výrobek podle pokynů v tomto návodu k používání.

## Montáž

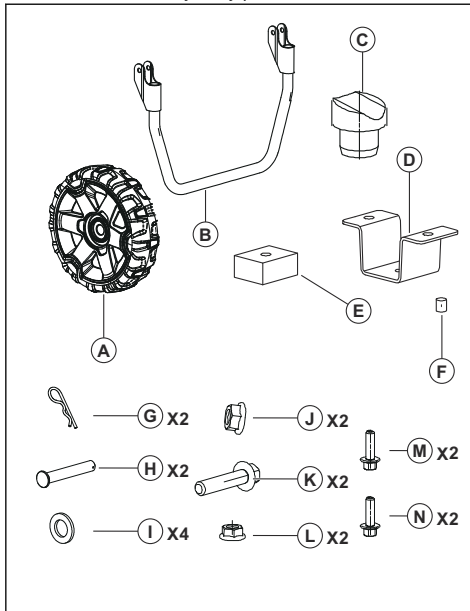
### Úvod



**VÝSTRAHA:** Než začnete montovat výrobek, přečtěte si pozorně kapitolu o bezpečnosti.

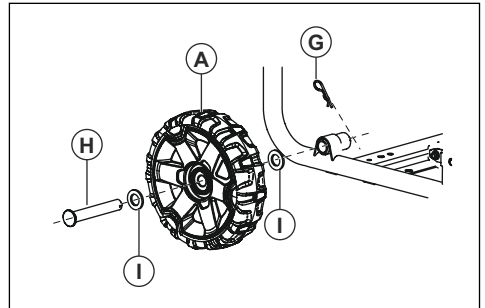
### Sestavení sady příslušenství (G5500P, G8500P)

1. Seznamte se s díly sady příslušenství.

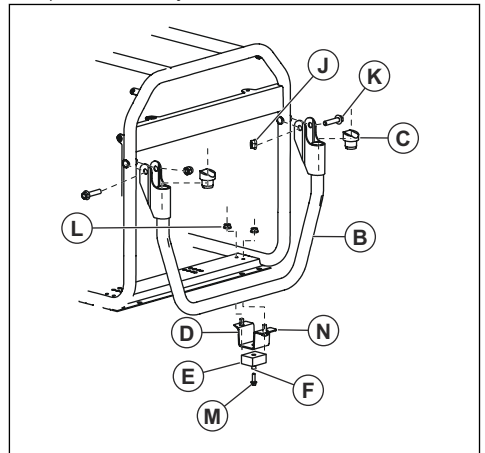


2. Sestavte sadu příslušenství. Podívejte se na obrázky.

- a) Sestava kola:



- b) Sestava rukojeti:



## Instalace

### Úvod



**VÝSTRAHA:** Než začnete instalovat výrobek, přečtěte si pozorně kapitolu o bezpečnosti.

### Uzemnění výrobku



**VÝSTRAHA:** Výrobek musí uzemnit osoba s dobrými zkušenostmi a znalostmi v oboru elektrotechniky. V některých oblastech musí instalaci provést schválený elektrikář. Dodržujte místní předpisy.

1. Instalujte zemnicí tyč minimálně 60 cm (24 palců) do země.



**VÝSTRAHA:** Zemnicí tyč musí být vyrobena z mosazi nebo mědi.

2. Připojte uzemňovací vodič 2,5 mm<sup>2</sup> od zemnicí svorky na ovládacím panelu k zemnicí tyči.

**Povšimněte si:** Uzemňovací vodič a zemnicí tyč nejsou součástí výrobku.

## Připojení výrobku k elektrickému systému budovy



**VÝSTRAHA:** Výrobek musí uzemnit osoba s dobrými zkušenostmi a znalostmi v oboru elektrotechniky. V některých oblastech musí instalaci provést schválený elektrikář. Dodržujte místní předpisy.

- K připojení výrobku k elektrickému systému použijte ruční přepojovač.
- Ujistěte se, že postup provádíte v souladu se všemi národními a místními předpisy.

## Provoz

### Úvod



**VÝSTRAHA:** Než začnete s výrobkem pracovat, přečtěte si důkladně kapitolu o bezpečnosti.

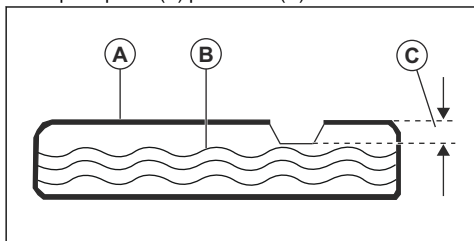
### Doplňování paliva

Používejte bezolovnatý benzin. Nepoužívejte benzin s více než 10 % etanolu a nepoužívejte benzin E85.



**VAROVÁNÍ:** Nepřidávejte do benzínu olej.

1. Vypněte motor a nechte výrobek vychladnout. Další informace jsou uvedeny v části *Zastavení výrobku na straně 47*.
2. Ujistěte se, že je výrobek na rovném povrchu a v oblasti s dobrým prouděním vzduchu.
3. Odšroubujte víčko palivové nádrže.
4. Opatrně doplňte palivo do palivové nádrže (A). Doplňte palivo (B) po značku (C).



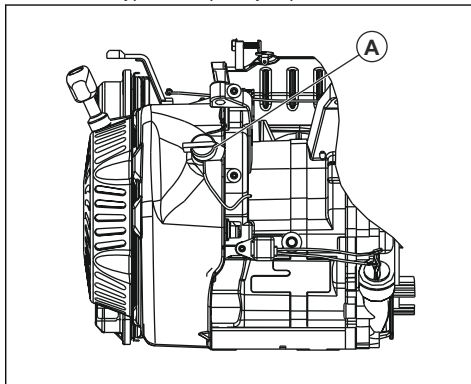
5. Odstraňte z výrobku rozlité palivo.



**VAROVÁNÍ:** Rozlité palivo představuje riziko požáru a může poškodit životní prostředí.

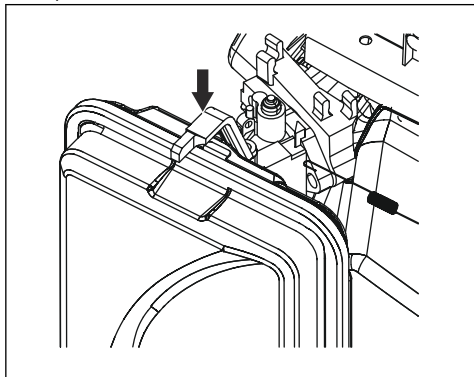
### Spuštění výrobku

1. Odpojte všechny elektrické zátěže od zásuvek na ovládacím panelu.
2. Ujistěte se, že výrobek stojí na vodorovném povrchu.
3. Otevřete ventil přívodu paliva.
4. Nastavte vypínač do polohy zapnuto.



5. Nastavte sytič do polohy vypnuto.
6. Lehce táhněte za rukojeť startéru, až pocítíte odpor.
7. Rychle a silou tahejte za rukojeť startovací šňůry, dokud se nespustí motor.
8. Při elektrickém startování proveďte následující kroky.
  - a) Stiskněte a podržte klíček ON/OFF/START v poloze START.
  - b) Po spuštění motoru nastavte klíček ON/OFF/START do polohy ON (Zapnuto).
9. Nastavte sytič do polohy ½.

10. Když motor běží plynule, nastavte sytič do polohy zapnuto.



**Povšimněte si:** U modelu G1300P jsou polohy zapnuto a vypnuto sytiče opačné.

## Připojení elektrických zátěží



**VÝSTRAHA:** Nepřipojujte zástrčky 240 (230) V do zásuvek 120 (110) V. Nepřipojujte 3fázové elektrické zátěže k jednofázovému výrobku. Nepřipojujte 50Hz elektrické zátěže k výrobku s frekvencí 60 Hz.

1. Spusťte motor a nechte jej několik minut zahřát. Další informace jsou uvedeny v části *Spuštění výrobku na strani 46*.
2. Připojte a spusťte elektrické zátěže.
3. Zkontrolujte, zda se výrobek nepřetěžuje. Další informace jsou uvedeny v části *Prevence přetížení výrobku na strani 47*.

## Prevence přetížení výrobku

Přetížení výrobku může způsobit poškození výrobku a připojených elektrických zařízení. Abyste předešli přetížení výrobku, proveďte následující kroky.

- Sečtěte celkový počet wattů (W) všech elektrických zařízení, která mají být připojena současně.



**VAROVÁNÍ:** Celková hodnota W nesmí být vyšší než hodnota W výrobku.

- Jmenovité hodnoty W světel lze použít z údajů žárovek. Jmenovité hodnoty W nástrojů, vybavení a motorů jsou uvedeny na štítku na zařízení.
- Pokud není na výrobku, nástroji nebo zařízení uvedeno množství W, vynásobte volty (V) jmenovitou hodnotou ampérů (A).
- Elektrická zařízení s nejvyšším příkonem při spuštění vždy připojujte k výrobku jako první. Poté přičtěte hodnotu W všech ostatních připojených elektrických zátěží.

## Zastavení výrobku

1. Zastavte a odpojte elektrické zátěže od zásuvek na ovládacím panelu.



**VÝSTRAHA:** Pokud jsou elektrické zátěže zapnuté a připojené k výrobku, motor nezastavujte.

2. Nechte motor v činnosti bez pracovní zátěže po dobu 30 sekund.
3. Nastavte vypínač do polohy vypnuto.
4. Zavřete ventil přívodu paliva.

## Údržba

### Úvod



**VÝSTRAHA:** Než začnete na výrobku provádět údržbu, přečtěte si pozorně kapitolu o bezpečnosti.

### Plán údržby

\* Pokud je výrobek používán ve velmi prašném prostředí, čistěte jej častěji.

\*\* Údržbu musí provést autorizovaný servis.

Údržba	Denní údržba před provozem	Interval údržby v hodinách				
		20 hodin nebo každý měsíc	50 hodin nebo každé 3 měsíce	100 hodin nebo každých 6 měsíců	300 hodin nebo jednou ročně	Každé 2 roky
Vyčistěte výrobek.	X					

Údržba	Denní údržba před provozem	Interval údržby v hodinách				
		20 hodin nebo každý měsíc	50 hodin nebo každé 3 měsíce	100 hodin nebo každých 6 měsíců	300 hodin nebo jednou ročně	Každé 2 roky
Zkontrolujte hladinu motorového oleje.	X					
Zkontrolujte vzduchový filtr.	X					
Vyčistěte vzduchový filtr.	X					
Zkontrolujte nádobu na usazeniny.	X					
Vyměňte motorový olej.		X*				
Vyčistěte nebo vyměňte vzduchový filtr.			X*			
Zkontrolujte a vyčistěte zapalovací svíčku.				X		
Zkontrolujte volnoběžné otáčky. V případě potřeby seřídte volnoběžné otáčky.					X**	
Zkontrolujte vůli ventilu. V případě potřeby seřídte vůli ventilu.					X**	
Vyčistěte palivovou nádrž, palivové sítko a karburátor.					X**	
Vyčistěte spalovací komoru.					X**	
V případě potřeby vyměňte palivová vedení.						X**

## Čištění výrobku



**VAROVÁNÍ:** Nečistěte výrobek vodou. Voda může způsobit poškození výrobku.

- Vyčistěte vnější povrch výrobku navlhčeným hadříkem.
- K odstranění nečistot a oleje použijte měkký kartáč.
- Pomocí vysavače odstraňte z výrobku nečistoty a nežádoucí materiál.
- Pomocí stlačeného vzduchu odstraňte nečistoty z chladicích otvorů a jiných otvorů na výrobku.



**VAROVÁNÍ:** Tlak stlačeného vzduchu nesmí být vyšší než 1,7 bar (25 psi).

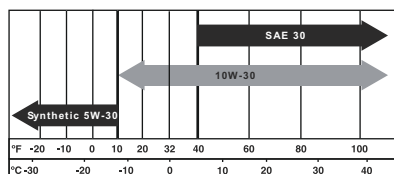
## Kontrola hladiny motorového oleje



**VAROVÁNÍ:** Neprovozujte výrobek s nízkou hladinou motorového oleje. Může dojít k poškození motoru.



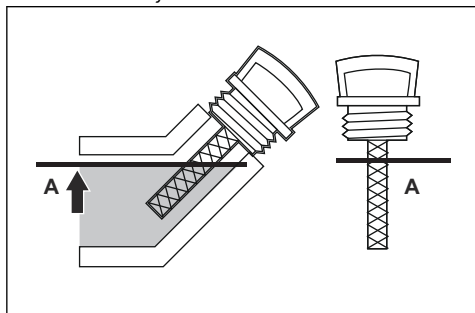
**VAROVÁNÍ:** Používejte motorový olej třídy SJ, SL nebo vyšší dle Amerického ropného institutu (API). Nepoužívejte speciální aditiva. Zvolte rozsah viskozity, který odpovídá okolní teplotě. Viz níže uvedený obrázek.



1. Zcela zastavte výrobek a umístěte jej na rovný povrch.
2. Očistěte plochu kolem olejové nádrže.
3. Odmontujte uzávěr olejové nádrže a olejovou měрку.
4. Setřete olej z olejové měrky.
5. Zasuňte měрку zpět až na doraz do olejové nádrže.



6. Vyjměte olejovou měrku.
7. Zkontrolujte hladinu motorového oleje na olejové měrce.
8. Pokud je hladina motorového oleje nízká, doplňte motorový olej po značku (A) na olejové měrce. Informace o objemu olejové nádrže naleznete v části *Technické údaje na strani 52*.



9. Zkontrolujte znovu hladinu motorového oleje.
10. Namontujte víčko olejové nádrže a olejovou měrku.

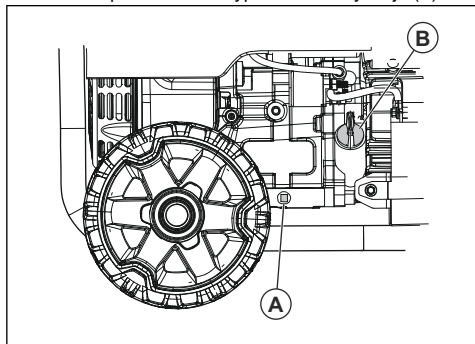
## Výměna motorového oleje

**Povšimněte si:** Motorový olej vypouštějte, když je motor teplý. Teplý motorový olej se vypustí rychleji.



**VÝSTRAHA:** Motorový olej je velmi horký a může způsobit popáleniny. Před vypuštěním nechte motorový olej vychladnout.

1. Očistěte plochu kolem vypouštěcí zátky oleje (A).



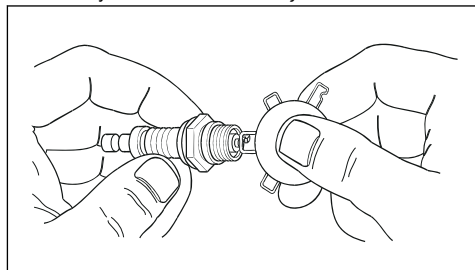
2. Pod vypouštěcí otvor umístěte vhodnou nádobu na olej.
3. Vyšroubujte vypouštěcí zátku oleje a víčko olejové nádrže (B).
4. Vypusťte motorový olej do nádoby.
5. Namontujte vypouštěcí zátku oleje a dotáhněte ji.

6. Doplňte motorový olej. Další informace jsou uvedeny v části *Kontrola hladiny motorového oleje na strani 48*.
7. Odstraňte rozlitý olej.
8. Použitý motorový olej recyklujte ve schváleném sběrném místě.

## Výměna zapalovací svíčky

Zapalovací svíčku měňte jednou ročně.

1. Vypněte motor.
2. Ze zapalovací svíčky vyjměte koncovku kabelu zapalovací svíčky.
3. Očistěte prostor kolem zapalovací svíčky a demontujte zapalovací svíčku z válce.
4. Upravte vzdálenost elektrod. Další informace jsou uvedeny v části *Technické údaje na strani 52*.



5. Namontujte novou zapalovací svíčku. Utáhněte ji momentem 20,3 Nm (15 ft/lb).

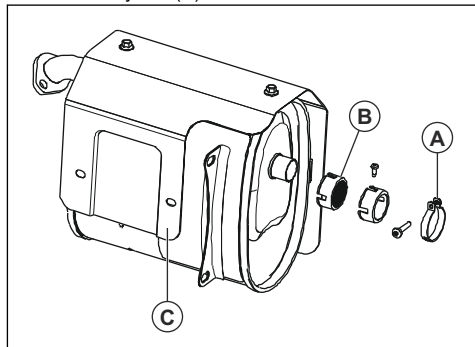
## Kontrola sítka lapače jisker

Sítka lapače jisker kontrolujte a v případě potřeby vyčistěte jednou ročně nebo častěji.



**VÝSTRAHA:** V některých oblastech a podmínkách je nutné použít sítka lapače jisker, aby se zabránilo nebezpečí požáru. Dodržujte místní předpisy.

1. Odmontujte svorku (A) a sítka lapače jisker (B) z tlumiče výfuku (C).



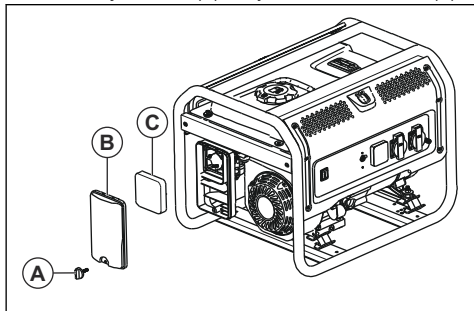
2. Vyčistěte sítko lapače jisker vhodným rozpouštědlem.
3. Zkontrolujte sítko lapače jisker, zda není opotřebené nebo poškozené. V případě potřeby sítko lapače jisker vyměňte.



**VAROVÁNÍ:** Nikdy nepoužívejte výrobek s vadným sítkem lapače jisker.

## Kontrola vzduchového filtru

1. Demontujte knoflík (A) a kryt vzduchového filtru (B).



2. Demontujte vzduchový filtr (C).
3. Vyčistěte vzduchový filtr a kryt vzduchového filtru mýdlovou vodou.
4. Nechte vzduchový filtr a kryt vzduchového filtru uschnout.
5. Namontujte vzduchový filtr, kryt vzduchového filtru a knoflík.

## Odstraňování problémů

### Tabulka řešení problémů

Problém	Příčina	Řešení
Motor se zastaví, když je příliš zatížen.	Vzduchový filtr není čistý.	Vyčistěte nebo vyměňte vzduchový filtr.
	Motor není zahřátý.	Před uvedením do provozu nechte motor zahřát.
Motor vynechává.	Zapalovací svíčka je povolena.	Zkontrolujte zapojení vodičů.
	Nesprávná vzdálenost elektrod.	Vyměňte koncovku kabelu zapalovací svíčky.
	Koncovka kabelu zapalovací svíčky je poškozená.	Vyměňte koncovku kabelu zapalovací svíčky.
	Zvětralý nebo méně kvalitní benzín.	Doplňte palivo.
	Nesprávná komprese.	Seřídte kompresi.

Problém	Příčina	Řešení
Motor se náhle zastaví.	Hladina motorového oleje je nízká.	Doplňte motorový olej.
	Palivová nádrž je prázdná nebo obsahuje benzín nízké kvality.	Doplňte palivo.
	Vadné víčko palivové nádrže.	Vyměňte víčko palivové nádrže.
	Vadný magnet.	Obraťte se na schválený servis.
	Koncovka kabelu zapalovací svíčky není správně nainstalovaná.	Nasaďte koncovku kabelu zapalovací svíčky.
Dochází ke klepání motoru.	Zvětralý nebo méně kvalitní benzín.	Doplňte palivo.
	Přetížení motoru.	Další informace jsou uvedeny v části <i>Prevence přetížení výrobku na straně 47.</i>
	Mechanický problém.	Obraťte se na schválený servis.
Dochází ke zpětnému zážehu motoru.	Benzín nízké kvality.	Doplňte palivo.
	Teplota motoru je příliš nízká.	Používejte palivo pro chladné podmínky a aditiva do oleje.
	Sací ventil je zablokovaný nebo je motor příliš horký.	Obraťte se na schválený servis.
	Nesprávné nastavení předstihu.	Zkontrolujte nastavení předstihu.
Výrobek není napájen.	Výrobek není připojen ke zdroji elektrické energie.	Zastavte výrobek a odpojte jej. Připojte výrobek a znovu jej spusťte.
	Rozpojený přerušovač obvodu.	Zastavte výrobek a odpojte jej. Restartujte přerušovač obvodu. Připojte výrobek a znovu jej spusťte.
	Zásuvka je zapojena.	Zastavte výrobek a odpojte jej. Vyzkoušejte zásuvku. Pokud zásuvka není poškozená, spusťte výrobek a znovu jej připojte.
	Je nutný servis.	Obraťte se na schválený servis.
Výrobek nepracuje správně.	Problém s elektrickým zařízením.	Odpojte elektrické zařízení. Obraťte se na schválený servis.
	Příliš velké zatížení výrobku.	Snižte množství elektrických zařízení připojených k výrobku.



**VAROVÁNÍ:** Pokud problém přetrvává, obraťte se na autorizovaný servis.

## Příprava výrobku na dlouhodobé uskladnění

Pokud má být výrobek skladován déle než 30 dní, proveďte následující kroky. Následující postup zabraňuje problémům s palivovým systémem.

1. Přidejte do paliva stabilizátor. Stabilizátor paliva musí odpovídat doporučením výrobce.

2. Uvedte výrobek do provozu na 10 až 15 minut.  
3. Před vypuštěním palivové nádrže nechte motor vychladnout.



**VAROVÁNÍ:** Neskladujte palivo dlouho. Znečištěný benzin řádně zlikvidujte.

4. Nastartujte motor a nechte jej běžet, dokud nespotřebuje veškeré palivo a výrobek se nezastaví.
5. Před výměnou motorového oleje nechte motor vychladnout.
6. Demontujte zapalovací svíčku a do válce nalijte 15 ml (½ oz) motorového oleje.
7. Jako ochranu umístěte na otvor pro zapalovací svíčku hadr.
8. 5krát zatáhněte za rukojeť startovací šňůry, aby se promazaly části motoru.

9. Namontujte a utáhněte zapalovací svíčku.



**VÝSTRAHA:** Nenasazujte koncovku kabelu zapalovací svíčky.

10. Vyčistěte výrobek.
11. Umístěte výrobek na čisté a suché místo ve vnitřním prostoru.
12. Nasaďte na výrobek ochranný kryt.



**VÝSTRAHA:** Pokud je výrobek teplý, nepokládejte na něj kryt.

## Technické údaje

### Technické údaje

	Husqvarna G1300P	Husqvarna G1300P	Husqvarna G2500P	Husqvarna G2500P	Husqvarna G3200P
Zdvihový objem motoru, cm <sup>3</sup>	98,5	98,5	196	196	212
Špičkový výkon, W <sup>5</sup>	1000	1200	2200	2800	3000
Jmenovitý výkon, W	800	1000	2000	2500	2800
Napětí, V	230	110/220, 120/240	230	110/220, 120/240	230
Jmenovitá frekvence, Hz	50	60	50	60	50
Fáze	1	1	1	1	1
Čistá hmotnost, kg	28,0	28,0	43,0	43,0	49,0
Hrubá hmotnost, kg	29,2	29,2	45,0	45,0	51,0
Rozměr balení, mm	500 x 375 x 435	500 x 375 x 435	500 x 375 x 435	500 x 375 x 435	625 x 495 x 495
Objem olejové nádrže, litry	0,45	0,45	0,6	0,6	0,6
Elektrodová vzdálenost, mm	0,76	0,76	0,76	0,76	0,76
Typ	Benzín	Benzín	Benzín	Benzín	Benzín

<sup>5</sup> Maximální výkon závisí na faktorech, jako je například energetická hustota paliva, okolní teplota, nadmořská výška, stav motoru atd. Maximální výkon se snižuje přibližně o 3,5 % na každých 300 m nadmořské výšky a také se snižuje přibližně o 1 % na každých 6 °C nad 16 °C okolní teploty.

	Husqvarna G1300P	Husqvarna G1300P	Husqvarna G2500P	Husqvarna G2500P	Husqvarna G3200P
Naměřená hladina akustického výkonu, dB (A)			95	95	96
Garantovaná hladina akustického výkonu, dB (A)			95	95	96

	Husqvarna G3200P	Husqvarna G5500P	Husqvarna G5500P	Husqvarna G8500P	Husqvarna G8500P
Zdvihový objem motoru, cm <sup>3</sup>	212	389	389	458	458
Špičkový výkon, W <sup>6</sup>	3200	5500	6000	8000	8500
Jmenovitý výkon, W	3000	5000	5500	7500	8000
Napětí, V	110/220, 120/240	230	110/220, 120/240	230	110/220, 120/240
Jmenovitá frekvence, Hz	60	50	60	50	60
Fáze	1	1	1	1	1
Čistá hmotnost, kg	49,0	88,0	88,0	106,4	106,4
Hrubá hmotnost, kg	51,0	91,0	91,0	109,5	109,5
Rozměr balení, mm	625 x 495 x 495	720 x 560 x 585	720 x 560 x 585	720 x 560 x 585	720 x 560 x 585
Objem olejové nádrže, litry	0,6	1,1	1,1	1,1	1,1
Elektrodová vzdálenost, mm	0,76	0,76	0,76	0,76	0,76
Typ	Benzín	Benzín	Benzín	Benzín	Benzín
Naměřená hladina akustického výkonu, dB (A)	96				
Garantovaná hladina akustického výkonu, dB (A)	96				

<sup>6</sup> Maximální výkon závisí na faktorech, jako je například energetická hustota paliva, okolní teplota, nadmořská výška, stav motoru atd. Maximální výkon se snižuje přibližně o 3,5 % na každých 300 m nadmořské výšky a také se snižuje přibližně o 1 % na každých 6 °C nad 16 °C okolní teploty.

## Referenční příručka k příkonu

**Povšimněte si:** Všechny hodnoty jsou přibližné.

Požadavky na výkon naleznete na štítku s údaji na přístroji.

Zařízení	Provozní (W)	Při dalším spuštění (W)
<b>Záložní</b>		
Chladnička/mrazák	700	1500
Rádio	100	0
<b>Pracoviště</b>		
Vzduchový kompresor – ½ HP	1000	1000
Stolová pila – 10"	1700	1300
Pásová bruska – 3"	1200	1200
Ruční vrtačka – ½"	600	600
Halogenové pracovní světlo	1000	0
Přímočará pila	900	900
<b>Rekreace</b>		
Rádio AM/FM	100	0
Elektrický gril	1700	0
Nafukovací pumpa 50	100	-
Přehrávač CD/DVD	100	0
Skříňový ventilátor – 20"	200	200
Kávovar	600	0
<b>Domácnost</b>		
Počítač s monitorem	800	0
Elektrická sušička	5500	500
Elektrický sporák	2100	0
Elektrický ohřívač vody	2000	0
Žárovka – 100 W	100	0
Mikrovlnná trouba – 1000 W	1000	200
Kalové čerpadlo – ½ HP	1000	1100
Televize	400	0
Pračka	1100	1100
Čerpadlo do studny – ½ HP	1000	1000
<b>Trávník a zahrada</b>		
Nůžky na živý plot	400	400

<b>Zařízení</b>	<b>Provozní (W)</b>	<b>Při dalším spuštění (W)</b>
Tlaková myčka	1200	1200
Sekačka na trávu	1200	1200
Zarovnávač okrajů trávníků	1000	1000
<b>Topení a chlazení</b>		
Centrální klimatizace – 10000 BTU	1500	1500
Ventilátor pece – ½ HP	900	1400
Sálavé topné těleso	1800	0
Okenní klimatizace – 10000 BTU	1200	600

---

# ES Prohlášení o shodě

---

## Prohlášení o shodě ES

Pro následující strojní zařízení:

- Název výrobku: Přenosný agregát
- Použití: Sada pro generování nízkého výkonu
- Číslo modelu: G 2500P, G 3200P
- Výrobní č.: 1945013770, 1945013793 a dále

**Je tímto potvrzeno, že splňuje všechny relevantní předpisy**

- Směrnice pro strojní zařízení (2006/42/ES)
- Směrnice pro nízkonapěťová zařízení (2014/35/EU)
- Směrnice o omezení používání nebezpečných látek (RoHS) (2011/65/EU)
- Směrnice pro elektromagnetickou kompatibilitu (2014/30/EU)
- Směrnice pro emise hluku zařízení určených k venkovnímu použití (2000/14/ES + 2005/88/ES)

**a vyhovuje následující harmonizované normě:**

- EN ISO 8528-13:2016, EN 61000-6-1:2007; EN 55012:2007+A1

**Postup ověřování shody: 2000/14/ES, oprava směrnice 2005/88/ES – Příloha VI**

Společnost TÜV Rheinland LGA Products GmbH, oznámený subjekt pro zařízení (ohlášeno pod číslem 0197), Tillystraße 2 - 90431 Norimberk, Německo, provedla certifikaci hluku. Informace o emisích hluku najdete v části *Technické údaje na strani 52*.

Huskvarna, 10. 6. 2020



Claes Losdal, Development Manager/Garden Products (ředitel vývoje zahradního sortimentu) (Autorizovaný zástupce společnosti Husqvarna AB a osoba odpovědná za technickou dokumentaci).



## Περιεχόμενα

Εισαγωγή.....	57	Συντήρηση.....	66
Ασφάλεια.....	60	Αντιμετώπιση προβλημάτων.....	69
Συναρμολόγηση.....	63	Προετοιμασία του προϊόντος για μακροχρόνια αποθήκευση.....	71
Εγκατάσταση.....	64	Τεχνικά στοιχεία.....	71
Λειτουργία.....	64	Δήλωση Συμμόρφωσης ΕΚ.....	75

## Εισαγωγή

### Περιγραφή προϊόντος

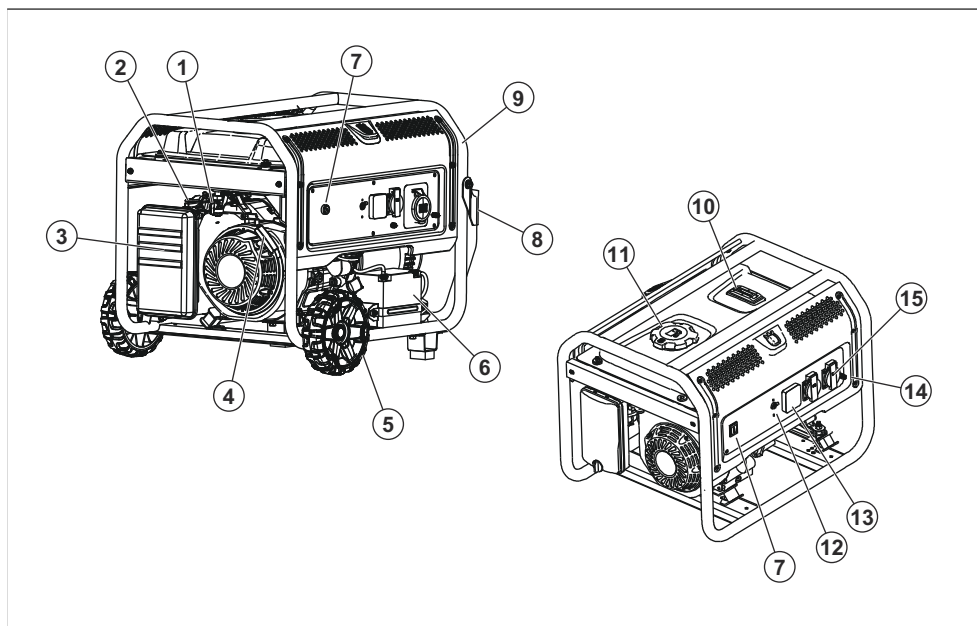
Το προϊόν είναι μια φορητή γεννήτρια με κινητήρα εσωτερικής καύσης.

διαθέσιμη ηλεκτρική ισχύς. Μην χρησιμοποιείτε το προϊόν για άλλες εργασίες.

### Προβλεπόμενη χρήση

Το προϊόν παρέχει ηλεκτρική ισχύ για τη λειτουργία ηλεκτρικών συσκευών σε περιπτώσεις που δεν υπάρχει

### Επισκόπηση προϊόντος



1. Βαλβίδα καυσίμου
2. Τσोक
3. Φίλτρο αέρα
4. Λαβή σχοινιού εκκίνησης
5. Τροχός
6. Μπαταρία
7. Διακόπτης ισχύος

8. Λαβή
9. Πλαίσιο
10. Δείκτης καυσίμου
11. Τάπα νεπεόζιτου καυσίμου
12. Ασφαλειοδιακόπτες εναλλασσόμενου ρεύματος (AC)
13. Ψηφιακός μετρητής (VFT)
14. Ακροδέκτης γείωσης

15. Πρίζα εναλλασσόμενου ρεύματος (AC)

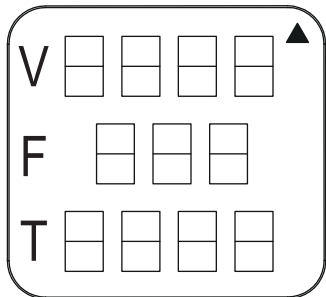
## Ακροδέκτης DC 12 V

Ο ακροδέκτης DC 12 V είναι μια πηγή τροφοδοσίας ισχύος για μονάδες DC 12 V.



## Ψηφιακός μετρητής (VFT)

Ο ψηφιακός μετρητής VFT εμφανίζει την τάση, τη συχνότητα και το συνολικό χρόνο λειτουργίας του προϊόντος.



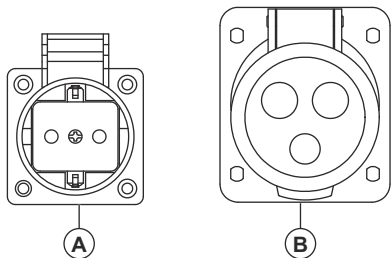
## Πρίζες εναλλασσόμενου ρεύματος (AC)

Το προϊόν διαθέτει διάφορες πρίζες AC για παροχή ρεύματος σε εργαλεία και εξοπλισμό. Οι πρίζες AC διαφέρουν ανάλογα με την αγορά.

ΕΕ, μονοφασική, 50 Hz

A: Πρίζα 2 ακίδων, 230 V.

B: Πρίζα 3 ακίδων, 32 A, 230 V.

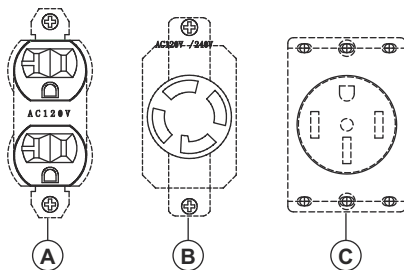


ΗΠΑ, μονοφασική, 60 Hz

A: Πρίζα 3 ακίδων, διπλή, 120 V.

B: Πρίζα 4 ακίδων, με περιστρεφόμενη διάταξη ασφάλισης, 30 A 120/240 V.

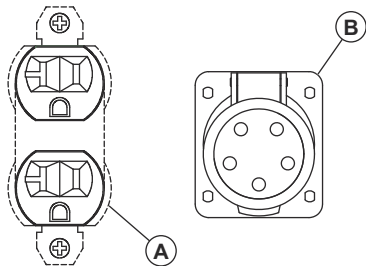
C: Πρίζα 4 ακίδων, 50 A 120/240 V.



ΗΠΑ, τριφασική, 60 Hz

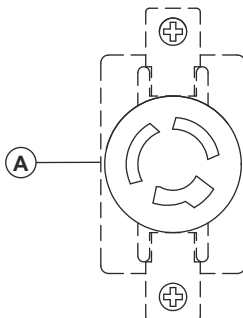
A: Πρίζα 3 ακίδων, διπλή, 110 V.

B: Πρίζα 5 ακίδων, τριφασική 127/220 V.



Κίνα, μονοφασική, 50 Hz

A: Πρίζα 3 ακίδων, με περιστρεφόμενη διάταξη ασφάλισης, 230 V.



## Σύμβολα στο προϊόν



**ΠΡΟΕΙΔΟΠΟΙΗΣΗ!** Να είστε προσεκτικοί και να χρησιμοποιείτε το προϊόν σωστά. Αυτό το προϊόν μπορεί να προκαλέσει σοβαρό τραυματισμό ή θάνατο του χειριστή ή άλλων ατόμων.



Διαβάστε προσεκτικά το εγχειρίδιο χρήσης και βεβαιωθείτε ότι έχετε κατανοήσει τις οδηγίες προτού χρησιμοποιήσετε αυτό το προϊόν.



Κίνδυνος πυρκαγιάς ή έκρηξης.



Κίνδυνος δηλητηριάσεων από μονοξείδιο του άνθρακα. Μην χρησιμοποιείτε το προϊόν σε χώρους με ανεπαρκή αερισμό.



Κίνδυνος ηλεκτροπληξίας.



Κίνδυνος εγκαυμάτων.



Προσθέστε λάδι.



Προσθέστε καύσιμο.



Ανοίξτε τη βαλβίδα καυσίμου.



Γυρίστε το διακόπτη ισχύος στη θέση ON.



Ρυθμίστε το τσοκ στη θέση OFF.



Ρυθμίστε το τσοκ στη θέση ON.



Τραβήξτε τη λαβή του σχοινού εκκίνησης.



Συνδέστε τις ηλεκτρικές συσκευές.



Αποσυνδέστε τις ηλεκτρικές συσκευές.



Κλείστε τη βαλβίδα καυσίμου.



Εκπομπές θορύβου στο περιβάλλον σύμφωνα με την ευρωπαϊκή οδηγία 2000/14/EK και τη νομοθεσία της Νότιας Νέας Ουαλίας "Κανονισμός για την προστασία των περιβαλλοντικών δράσεων (έλεγχος θορύβου) του 2017". Τα στοιχεία για τις εκπομπές θορύβου βρίσκονται στην ετικέτα του μηχανήματος και στο κεφάλαιο "Τεχνικά στοιχεία".



Μην χρησιμοποιείτε το προϊόν σε εσωτερικούς χώρους.



Χρησιμοποιήστε το προϊόν σε εξωτερικούς χώρους. Κρατήστε το προϊόν μακριά από παράθυρα, πόρτες ή αεραγωγούς.



Ρυθμίστε το τσοκ στη θέση ON και περιμένετε 50 δευτερόλεπτα.

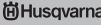



Ρυθμίστε το τσοκ στη θέση OFF και περιμένετε 50 δευτερόλεπτα.



Περιμένετε 30 δευτερόλεπτα και τοποθετήστε το διακόπτη ισχύος στη θέση OFF.

# Πνακίδα στοιχείων μηχανήματος

	Prod. year 0000
Product	<input type="text"/>
Serial No.	<input type="text"/>
Article No.	<input type="text"/>
Model	<input type="text"/>
Weight	<input type="text"/>
Rated current	<input type="text"/>
Max Power	<input type="text"/>
COP Power	<input type="text"/>
Voltage	<input type="text"/>
Rated Frequency	<input type="text"/>
Power factor	<input type="text"/>
Performance class	<input type="text"/>
Quality class	<input type="text"/>
Protection class	<input type="text"/>
Husqvarna AB SE-561 82 Huskvarna Sweden	Low-power generating set 

## Ασφάλεια

### Ορισμοί για την ασφάλεια

Για την επισήμανση ειδικών σημαντικών τμημάτων του εγχειριδίου χρησιμοποιούνται προειδοποιήσεις, συστάσεις προσοχής και σημειώσεις.



**ΠΡΟΕΙΔΟΠΟΙΗΣΗ:** Χρησιμοποιείται όταν υπάρχει κίνδυνος τραυματισμού ή θανάτου του χειριστή ή άλλων παριστάμενων ατόμων, αν δεν τηρηθούν οι οδηγίες που παρέχονται στο εγχειρίδιο.



**ΠΡΟΣΟΧΗ:** Χρησιμοποιείται όταν υπάρχει κίνδυνος πρόκλησης ζημιάς στο προϊόν, σε άλλα υλικά ή στον παρακείμενο χώρο, αν δεν τηρηθούν οι οδηγίες που παρέχονται στο εγχειρίδιο.

**Περιεχόμενα** Χρησιμοποιείται για παροχή περισσότερων πληροφοριών, οι οποίες χρειάζονται σε μια δεδομένη κατάσταση.

### Γενικές οδηγίες ασφαλείας



**ΠΡΟΕΙΔΟΠΟΙΗΣΗ:** Προτού χρησιμοποιήσετε το προϊόν, φροντίστε να διαβάσετε και να κατανοήσετε τις παρακάτω προειδοποιητικές οδηγίες.

- Διαβάστε και κατανοήστε το εγχειρίδιο χρήσης και τα σήματα ασφαλείας στο προϊόν προτού το θέσετε σε λειτουργία. Η προσωπική σας ασφάλεια και η ασφάλεια των άλλων είναι δική σας ευθύνη.
- Τηρείτε τις οδηγίες του παρόντος εγχειριδίου χρήσης.

- Δεν είναι δυνατή η παροχή προειδοποίησης για κάθε κατάσταση που μπορεί να προκύψει κατά τη λειτουργία και τη συντήρηση του προϊόντος. Πρέπει πάντα να προσέχετε και να χρησιμοποιείτε την κοινή λογική.

### Ασφάλεια καυσίμου



**ΠΡΟΕΙΔΟΠΟΙΗΣΗ:** Προτού χρησιμοποιήσετε το προϊόν, φροντίστε να διαβάσετε και να κατανοήσετε τις παρακάτω προειδοποιητικές οδηγίες.

- Η βενζίνη είναι ιδιαίτερα εύφλεκτη και οι αναθυμιάσεις της είναι εκρηκτικές. Μην επιτρέπετε το κάπνισμα, τις γυμνές φλόγες, τους σπινθήρες ή τη θερμότητα κοντά σας κατά το χειρισμό της βενζίνης.
- Μην προσθέτετε ποτέ καύσιμο όταν το προϊόν λειτουργεί ή είναι καυτό. Αφήστε τον κινητήρα να κρυώσει εντελώς προτού προσθέσετε καύσιμο.
- Μην γεμίζετε ποτέ το ντεπόζιτο καυσίμου σε κλειστός χώρο.
- Πρέπει να συμμορφώνεστε με όλους τους νόμους που διέπουν την αποθήκευση και το χειρισμό της βενζίνης.
- Μην γεμίζετε υπερβολικά το ντεπόζιτο καυσίμου. Αφήνετε πάντα χώρο για τη διαστολή του καυσίμου. Εάν το ντεπόζιτο καυσίμου είναι υπερβολικά γεμάτο, το καύσιμο μπορεί να υπερχειλίσει σε έναν ζεστό κινητήρα και να προκαλέσει πυρκαγιά ή έκρηξη.
- Μην αποθηκεύετε ποτέ το προϊόν με καύσιμο στο ντεπόζιτο σε χώρους όπου οι αναθυμιάσεις της βενζίνης μπορεί να έρθουν σε επαφή με γυμνές φλόγες, σπινθήρες ή φλόγιστρα (όπως σε καυστήρα, θερμαντήρα νερού ή στεγνωτήριο ρούχων). Μπορεί να προκληθεί πυρκαγιά ή έκρηξη. Αφήνετε πάντα το προϊόν να κρυώσει προτού το αποθηκεύσετε.

- Σκουπίστε αμέσως τυχόν χυμένο καύσιμο ή λάδι. Βεβαιωθείτε ότι δεν υπάρχουν εύφλεκτα υλικά πάνω ή κοντά στο προϊόν. Διατηρήστε την περιοχή γύρω από το προϊόν καθαρή και χωρίς υπολείμματα. Αφήστε απόσταση 152 cm (5 ποδιών) σε όλες τις πλευρές, για να αεριζείται επαρκώς το προϊόν.
- Μην χρησιμοποιείτε το προϊόν εάν υπερθερμανθεί μια συνδεδεμένη ηλεκτρική συσκευή, εάν διακοπεί η ηλεκτρική ισχύς ή εάν παρατηρηθούν φλόγες ή καπνός κατά τη λειτουργία του προϊόντος.
- Πρέπει να υπάρχει πάντα πυροσβεστήρας κοντά στο προϊόν.
- Προσέξτε να μην χυθεί καύσιμο πάνω σε ζεστό κινητήρα.
- Μην καπνίζετε και μην ανάβετε τσιγάρα κοντά στο προϊόν ή στο καύσιμο.
- Αδειάστε το καύσιμο σε εγκεκριμένο δοχείο σε εξωτερικό χώρο, μακριά από ακάλυπτες φλόγες. Βεβαιωθείτε ότι ο κινητήρας είναι κρύος.

## Ασφάλεια από τις αναθυμιάσεις της εξάτμισης



**ΠΡΟΕΙΔΟΠΟΙΗΣΗ:** Προτού χρησιμοποιήσετε το προϊόν, φροντίστε να διαβάσετε και να κατανοήσετε τις παρακάτω προειδοποιητικές οδηγίες.

- Μην χρησιμοποιείτε ποτέ το προϊόν σε κλειστό ή σε εσωτερικό χώρο! Μην χρησιμοποιείτε ποτέ το προϊόν στο σπίτι, σε όχημα ή σε μερικώς κλειστούς χώρους, όπως κλειστούς χώρους στάθμευσης, ακόμα και αν οι πόρτες και τα παράθυρα είναι ανοιχτά! Χρησιμοποιείτε το προϊόν μόνο σε εξωτερικούς χώρους και μακριά από ανοικτά παράθυρα, πόρτες, αεραγωγούς, και σε χώρους όπου δεν μπορούν να συσσωρευθούν θανάσιμες αναθυμιάσεις.
- Οι αναθυμιάσεις από την εξάτμιση του κινητήρα περιέχουν μονοξείδιο του άνθρακα, το οποίο δεν μπορείτε να δείτε ή να μυρίσετε. Αυτό το δηλητηριώδες αέριο, εάν εισπνευστεί σε επαρκείς συγκεντρώσεις, μπορεί να προκαλέσει απώλεια των αισθήσεων ή ακόμη και θάνατο.
- Η επαρκής, ανεμπόδιση ροή αέρα ψύξης και εξαερισμού έχει κρίσιμη σημασία για τη σωστή λειτουργία του προϊόντος. Μην τροποποιείτε την εγκατάσταση και μην επιτρέψετε ακόμη και τη μερική απόφραξη των διατάξεων εξαερισμού, καθώς αυτό μπορεί να επηρεάσει σημαντικά την ασφαλή λειτουργία του προϊόντος. Το προϊόν πρέπει να λειτουργεί σε εξωτερικούς χώρους.
- Σε εσωτερικούς χώρους, να χρησιμοποιείτε πάντα συναγερό για μονοξείδιο του άνθρακα ο οποίος λειτουργεί με μπαταρία και έχει εγκατασταθεί σύμφωνα με τις οδηγίες του κατασκευαστή.
- Αν αρχίσετε να έχετε τάση προς εμετό, αισθανθείτε ζάλη ή αδυναμία μετά τη λειτουργία του προϊόντος, αναζητήστε αμέσως καθαρό αέρα. Επισκεφθείτε

γιατρό, γιατί μπορεί να έχετε πάθει δηλητηρίαση από μονοξείδιο του άνθρακα.

## Ασφάλεια με το ηλεκτρικό ρεύμα



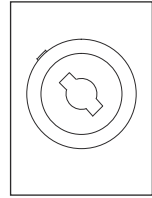
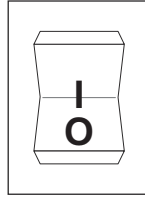
**ΠΡΟΕΙΔΟΠΟΙΗΣΗ:** Προτού χρησιμοποιήσετε το προϊόν, φροντίστε να διαβάσετε και να κατανοήσετε τις παρακάτω προειδοποιητικές οδηγίες.

- Το προϊόν παράγει επικίνδυνα υψηλή τάση όταν βρίσκεται σε λειτουργία. Αποφύγετε την επαφή με γυμνά καλώδια, ακροδέκτες, συνδέσεις, κ.λπ., ενώ το προϊόν λειτουργεί, ακόμα και σε εξοπλισμό που είναι συνδεδεμένος στο προϊόν. Βεβαιωθείτε ότι έχετε τοποθετήσει όλα τα κατάλληλα καλύμματα, τα προστατευτικά και τα φράγματα, προτού θέσετε σε λειτουργία το προϊόν.
  - Μην χιρρίζετε ποτέ κανένα είδος ηλεκτρικού καλωδίου ή συσκευής, όταν στέκεστε στο νερό, είστε ξυπόλυτοι ή τα χέρια ή τα πόδια σας είναι βρεγμένα. Μπορεί να προκληθεί επικίνδυνη ηλεκτροπληξία.
  - Σε ορισμένες χώρες ενδέχεται το πλαίσιο και τα εξωτερικά ηλεκτρικά αγωγίμα μέρη του προϊόντος να πρέπει να συνδεθούν κατάλληλα σε μια εγκεκριμένη γείωση. Σε ορισμένες χώρες ενδέχεται επίσης να απαιτείται κατάλληλη γείωση του προϊόντος. Συμβουλευτείτε έναν ηλεκτρολόγο της περιοχής σας για τις απαιτήσεις γείωσης.
  - Χρησιμοποιήστε ασφαλειοδιακόπτη προστασίας από διαρροές προς τη γείωση (GFCI) σε υγρούς ή εξαιρετικά αγωγίμους χώρους (όπως μεταλλικά δάπεδα ή χαλύβδινο εξοπλισμός).
  - Μην χρησιμοποιείτε το προϊόν με φαρμάνα, γυμνά, ξεφτισμένα σεντ ηλεκτρικών καλωδίων ή σεντ ηλεκτρικών καλωδίων που έχουν υποστεί άλλοι είδους ζημιά.
  - Σε περίπτωση ατυχήματος από ηλεκτροπληξία, απενεργοποιήστε αμέσως την πηγή ηλεκτρικής ισχύος. Εάν αυτό δεν είναι δυνατό, προσπαθήστε να ελευθερώσετε το θύμα από τον ενεργό αγωγό. Αποφύγετε την απευθείας επαφή με το θύμα. Χρησιμοποιήστε μη αγωγίμα αντικείμενα, όπως ένα σχοινί ή μια σανίδα, για να ελευθερώσετε το θύμα από τον ενεργό αγωγό. Εάν το θύμα δεν έχει τις αισθήσεις του, δώστε τις πρώτες βοήθειες και αναζητήστε άμεση ιατρική βοήθεια.
- Οδηγίες ασφαλείας για τη λειτουργία**
- ΠΡΟΕΙΔΟΠΟΙΗΣΗ:** Προτού χρησιμοποιήσετε το προϊόν, φροντίστε να διαβάσετε και να κατανοήσετε τις παρακάτω προειδοποιητικές οδηγίες.
- Χρησιμοποιείτε το προϊόν μόνο σε επίπεδες επιφάνειες και σε χώρους όπου δεν θα εκτεθεί σε υπερβολική υγρασία, βρομιά, σκόνη ή διαβρωτικούς ατμούς.

- Κρατάτε τα χέρια, τα πόδια, τα ρούχα, κ.λπ. μακριά από μίαντες μετάδοσης κίνησης, ανεμιστήρες και άλλα κινούμενα μέρη. Μην αφαιρείτε ποτέ τον προφυλακτήρα ή το προστατευτικό κάλυμμα του ανεμιστήρα, ενώ η μονάδα βρίσκεται σε λειτουργία.
- Ορισμένα μέρη της γεννήτριας θερμαίνονται πάρα πολύ στη διάρκεια της λειτουργίας. Μην πλησιάζετε τη γεννήτρια μέχρι να κρυώσει, για να αποφύγετε σοβαρούς τραυματισμούς λόγω εγκαύματος.
- Μην χρησιμοποιείτε το προϊόν στη βροχή.
- Μην τροποποιείτε την κατασκευή του προϊόντος και μην αλλάζετε τα χειριστήρια, κάτι που μπορεί να δημιουργήσει μη ασφαλείς συνθήκες λειτουργίας.
- Μην εκκινείτε και μην διακόπτετε ποτέ τη λειτουργία του προϊόντος, εάν έχετε συνδέσει ηλεκτρικές συσκευές στις πρίζες και οι συνδεδεμένες συσκευές είναι ενεργοποιημένες. Θέστε σε λειτουργία τον κινητήρα και αφήστε τον να σταθεροποιηθεί προτού συνδέσετε τις ηλεκτρικές συσκευές. Αποσυνδέστε όλες τις ηλεκτρικές συσκευές προτού απενεργοποιήσετε τη γεννήτρια.
- Μην εισάγετε αντικείμενα από τις υποδοχές ψύξης του προϊόντος, ακόμα και αν ο κινητήρας δεν λειτουργεί.
- Όταν εργάζεστε με αυτόν τον εξοπλισμό, πρέπει να είστε πάντα σε εγρήγορση. Μην εργάζεστε ποτέ στον εξοπλισμό, αν είστε σωματικά ή ψυχικά κουρασμένοι.
- Μην χρησιμοποιείτε ποτέ το προϊόν ή οποιοδήποτε από τα εξαρτήματά του ως σκαλοπάτι. Αν πατήσετε στο προϊόν, μπορεί να προκληθεί μηχανική καταπόνηση και θραύση εξαρτημάτων, και να δημιουργηθούν επικίνδυνες συνθήκες λειτουργίας λόγω διαρροής καυσαερίων, διαρροής καυσίμου, διαρροής λαδιού κ.λπ.
- Φροντίστε να γνωρίζετε όλα τα χειριστήρια και τις ρυθμίσεις πριν από τη λειτουργία.
- Μην υπερφορτώνετε το προϊόν. Επίσης, μην υπερφορτώνετε κάθε μεμονωμένη υποδοχή του πίνακα. Αυτές οι έξοδοι προστατεύονται από υπερφόρτωση με ασφαλειοδιακόπτες. Σε περίπτωση υπέρβασης της ονομαστικής έντασης ρεύματος οποιοδήποτε ασφαλειοδιακόπτη, ο συγκεκριμένος ασφαλειοδιακόπτης ανοίγει και η ηλεκτρική ισχύς σε εκείνη την πρίζα διακόπτεται.
- Μην εκκινείτε και μην σβήνετε ποτέ τον κινητήρα όταν έχουν συνδεθεί ηλεκτρικές συσκευές στις πρίζες και οι συσκευές είναι ενεργοποιημένες.

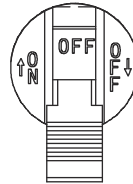
## Διακόπτης λειτουργίας

Χρησιμοποιήστε το ισχύος, για να εκκινήσετε και να σβήσετε τον κινητήρα.



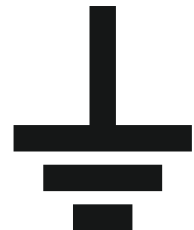
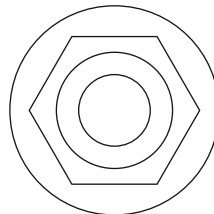
## Ασφαλειοδιακόπτες

Οι ασφαλειοδιακόπτες αποτρέπουν την υπερφόρτωση του προϊόντος. Κοντά στον ασφαλειοδιακόπτη βρίσκονται πληροφορίες σχετικά με την ονομαστική τιμή του.



## Ακροδέκτης γείωσης

Ο ακροδέκτης γείωσης διασφαλίζει ότι το προϊόν είναι σωστά γειωμένο. Πριν από κάθε εργασία, πρέπει να συνδέεται ένα καλώδιο γείωσης στον ακροδέκτη γείωσης.



## Συσκευές ασφαλείας στο προϊόν



**ΠΡΟΕΙΔΟΠΟΙΗΣΗ:** Προτού χρησιμοποιήσετε το προϊόν, διαβάστε τις παρακάτω προειδοποιητικές οδηγίες.

- Μην χρησιμοποιείτε ποτέ το προϊόν, αν υπάρχουν ελαττωματικές συσκευές ασφαλείας.
- Πρέπει να κάνετε τακτικά έλεγχο των συσκευών ασφαλείας. Αν οι συσκευές ασφαλείας είναι ελαττωματικές, απευθυνθείτε στον αντιπρόσωπο σέρβις της Husqvarna.

## Οδηγίες ασφαλείας για τη συντήρηση



**ΠΡΟΕΙΔΟΠΟΙΗΣΗ:** Προτού εκτελέσετε εργασίες συντήρησης στο προϊόν, διαβάστε και κατανοήστε τις παρακάτω προειδοποιητικές οδηγίες.

- Για λόγους ασφαλείας, ο κατασκευαστής συνιστά η συντήρηση αυτού του εξοπλισμού να πραγματοποιείται από εξουσιοδοτημένο αντιπρόσωπο. Ελέγχετε τακτικά τη γεννήτρια και επικοινωνήστε με τον πλησιέστερο εξουσιοδοτημένο αντιπρόσωπο, εάν κάποια εξαρτήματα χρειάζονται επισκευή ή αντικατάσταση.
- Αυτό το προϊόν είναι εξοπλισμένο με εξάτμιση (σιγαστήρα) που διαθέτει σήτα συγκράτησης σπινθήρων. Ο ιδιοκτήτης/χειριστής θα πρέπει να διατηρεί τη σήτα συγκράτησης σπινθήρων σε καλή κατάσταση λειτουργίας.
- Το σύστημα εξάτμισης πρέπει να συντηρείται σωστά. Μην κάνετε καμία ενέργεια που θα μπορούσε να καταστήσει το σύστημα εξάτμισης μη ασφαλές ή μη συμβατό με τους τοπικούς κώδικες ή/και τα πρότυπα.
- Πριν από την εκτέλεση εργασιών συντήρησης στο προϊόν, αποσυνδέστε την μπαταρία εκκίνησης

το κινητήρα (εάν υπάρχει), ώστε να μην τεθεί σε λειτουργία κατά λάθος. Αποσυνδέστε πρώτα το καλώδιο από τον πόλο της μπαταρίας που επισημαίνεται με αρνητικό πρόσημο, με την ένδειξη NEG ή με το σύμβολο (-). Επανασυνδέστε αυτό το καλώδιο τελευταίο.

- Εάν επιχειρήσετε να χρησιμοποιήσετε τη μίξα ή να θέσετε σε λειτουργία τον κινητήρα προτού εκτελεστούν σωστά οι εργασίες συντήρησης με το συνιστώμενο λάδι, μπορεί να προκληθεί βλάβη στον κινητήρα.
- Όταν γίνονται εργασίες στο προϊόν, να αποσυνδέετε πάντα το καπάκι του μπουζί από το μπουζί και να το κρατάτε μακριά από το μπουζί.
- Το καυτό λάδι μπορεί να προκαλέσει εγκαύματα. Αφήστε τον κινητήρα να κρυώσει προτού αδειάσετε το λάδι. Αποφύγετε την παρατεταμένη ή επαναλαμβανόμενη έκθεση του δέρματος σε χρησιμοποιημένο λάδι. Πλύνετε καλά τις εκτεθειμένες περιοχές με σαπούνι.
- Η εγγύηση του προϊόντος δεν καλύπτει εξαρτήματα τα οποία έχουν υποστεί κακομεταχείριση ή αμέλεια από το χειριστή. Για να έχει την πλήρη κάλυψη της εγγύησης ο χειριστής θα πρέπει να συντηρεί το προϊόν σύμφωνα με αυτό το εγχειρίδιο χρήσης.

## Συναρμολόγηση

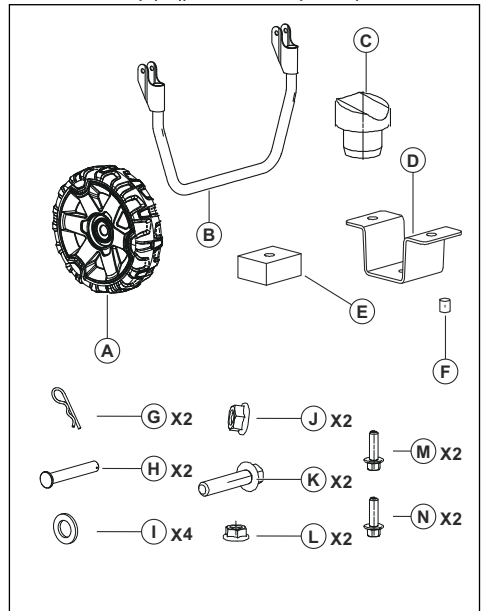
### Εισαγωγή



**ΠΡΟΕΙΔΟΠΟΙΗΣΗ:** Προτού συναρμολογήσετε το προϊόν, διαβάστε και κατανοήστε το κεφάλαιο για την ασφάλεια.

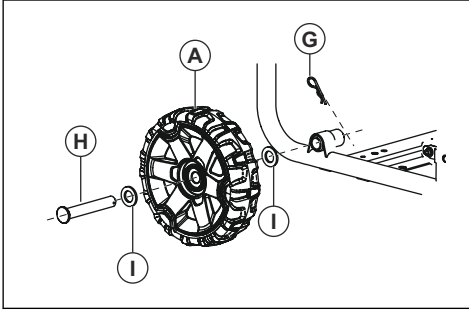
### Συναρμολόγηση του kit αξεσουάρ (G5500P, G8500P)

1. Μάθετε τα εξαρτήματα του kit αξεσουάρ.

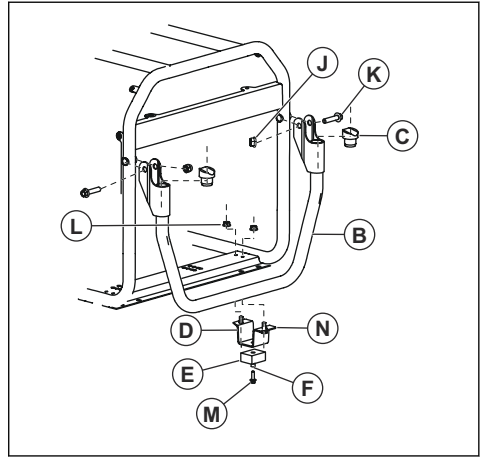


2. Συναρμολογήστε το κιτ αξεσουάρ. Ανατρέξτε στις εικόνες.

a) Συναρμολόγηση τροχού:



b) Συναρμολόγηση λαβής:



## Εγκατάσταση

### Εισαγωγή



**ΠΡΟΕΙΔΟΠΟΙΗΣΗ:** Πριν από την εγκατάσταση του προϊόντος, διαβάστε και κατανοήστε το κεφάλαιο για την ασφάλεια.

### Γείωση του προϊόντος



**ΠΡΟΕΙΔΟΠΟΙΗΣΗ:** Το προϊόν πρέπει να γειώνεται από άτομο με εμπειρία και γνώση στον τομέα του ηλεκτρικού ρεύματος. Σε ορισμένες περιπτώσεις, η εγκατάσταση πρέπει να γίνεται από εξουσιοδοτημένο ηλεκτρολόγο. Να τηρείτε τους τοπικούς κανονισμούς.

1. Τοποθετήστε μια ράβδο γείωσης σε βάθος τουλάχιστον 24 ιντσών στο έδαφος.



**ΠΡΟΕΙΔΟΠΟΙΗΣΗ:** Η ράβδος γείωσης πρέπει να είναι κατασκευασμένη από ορείχαλκο ή χαλκό.

2. Συνδέστε ένα καλώδιο γείωσης 2,5 mm<sup>2</sup> από τον ακροδέκτη γείωσης του πίνακα ελέγχου σε μια ράβδο γείωσης.

**Περιεχόμενα** Το καλώδιο γείωσης και η ράβδος γείωσης δεν παρέχονται μαζί με το προϊόν.

### Σύνδεση του προϊόντος στο ηλεκτρικό σύστημα ενός κτιρίου



**ΠΡΟΕΙΔΟΠΟΙΗΣΗ:** Το προϊόν πρέπει να γειώνεται από άτομο με εμπειρία και γνώση στον τομέα του ηλεκτρικού ρεύματος. Σε ορισμένες περιπτώσεις, η εγκατάσταση πρέπει να γίνεται από εξουσιοδοτημένο ηλεκτρολόγο. Να τηρείτε τους τοπικούς κανονισμούς.

- Να χρησιμοποιείτε μόνο τυπικές εγκεκριμένες πρίζες, βύσματα και καλώδια για να συνδέσετε το προϊόν σε ένα ηλεκτρικό σύστημα.
- Βεβαιωθείτε ότι εκτελείτε τη διαδικασία σε συμμόρφωση με όλους τους εθνικούς και τοπικούς κανονισμούς.

## Λειτουργία

### Εισαγωγή



**ΠΡΟΕΙΔΟΠΟΙΗΣΗ:** Προτού χρησιμοποιήσετε το προϊόν, διαβάστε και κατανοήστε το κεφάλαιο για την ασφάλεια.

### Ανεφοδιασμός με καύσιμο

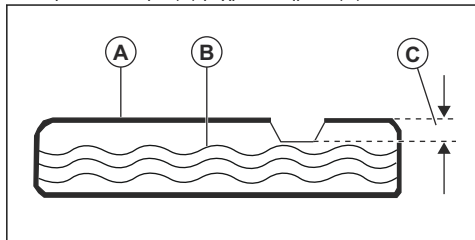
Χρησιμοποιήστε αμόλυβδη βενζίνη. Μην χρησιμοποιείτε βενζίνη με περισσότερο από 10% αιθανόλη και μην χρησιμοποιείτε βενζίνη E85.





**ΠΡΟΣΟΧΗ:** Μην αναμιγνύετε λάδι με βενζίνη.

1. Σταματήστε τον κινητήρα και αφήστε το προϊόν να κρνώσει. Ανατρέξτε στην ενότητα *Διακοπή λειτουργίας του προϊόντος στη σελίδα 66*.
2. Βεβαιωθείτε ότι το προϊόν είναι τοποθετημένο σε επίπεδη επιφάνεια και σε περιοχή με καλή ροή αέρα.
3. Αφαιρέστε την τάπα ντεπόζιτου καυσίμου.
4. Γεμίστε προσεκτικά το ντεπόζιτο καυσίμου (A). Γεμίστε καύσιμο (B) μέχρι το σημάδι (C).



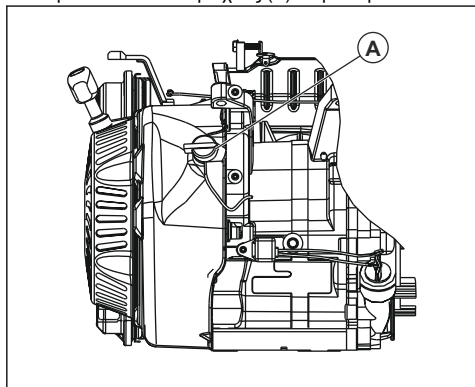
5. Καθαρίστε το προϊόν από καύσιμα που έχουν χυθεί.



**ΠΡΟΣΟΧΗ:** Η διαρροή καυσίμου μπορεί να προκαλέσει πυρκαγιά και ζημιά στο περιβάλλον.

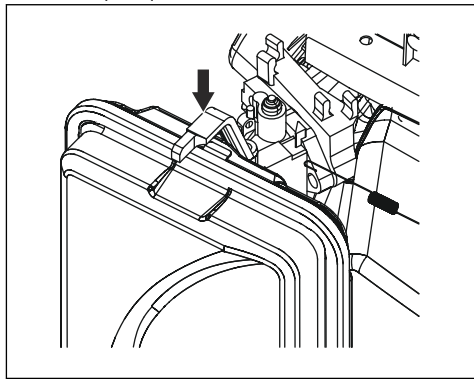
## Εκκίνηση λειτουργίας του προϊόντος

1. Αποσυνδέστε όλες τις ηλεκτρικές συσκευές από τις πρίζες του ταμπλό ελέγχου.
2. Βεβαιωθείτε ότι το προϊόν είναι τοποθετημένο σε επίπεδη επιφάνεια.
3. Ανοίξτε τη βαλβίδα καυσίμου.
4. Γυρίστε το διακόπτη ισχύος (A) στη θέση ON.



5. Ρυθμίστε το τσοκ στη θέση OFF.
6. Τραβήξτε αργά τη λαβή του κορδονιού εκκίνησης μέχρι να αισθανθείτε αντίσταση.

7. Τραβήξτε τη λαβή του κορδονιού του συστήματος εκκίνησης γρήγορα και με δύναμη μέχρι να ξεκινήσει ο κινητήρας.
8. Για ηλεκτρική εκκίνηση, ακολουθήστε τα παρακάτω βήματα.
  - a) Πίεστε παρατεταμένα το κλειδί ON/OFF/START στη θέση εκκίνησης.
  - b) Όταν ο κινητήρας τεθεί σε λειτουργία, ρυθμίστε το κλειδί ON/OFF/START στη θέση ON.
9. Μετακινήστε το τσοκ στη θέση του 1/2 τσοκ.
10. Εάν ο κινητήρας λειτουργεί ομαλά, τοποθετήστε το τσοκ στη θέση ON.



**Περιεχόμενα** Στα G1300P, οι θέσεις ON και OFF του τσοκ βρίσκονται στις αντίθετες θέσεις.

## Σύνδεση ηλεκτρικών συσκευών



**ΠΡΟΕΙΔΟΠΟΙΗΣΗ:** Μην συνδέετε ηλεκτρικές συσκευές 240 (230) V σε πρίζες 120 (110) V. Μην συνδέετε τριφασικές ηλεκτρικές συσκευές σε ένα μονοφασικό προϊόν. Μην συνδέετε ηλεκτρικές συσκευές 50 Hz σε προϊόντα 60 Hz.

1. Θέστε σε λειτουργία τον κινητήρα και αφήστε τον να ζεσταθεί για μερικά λεπτά. Ανατρέξτε στην ενότητα *Εκκίνηση λειτουργίας του προϊόντος στη σελίδα 65*.
2. Συνδέστε και θέστε σε λειτουργία τις ηλεκτρικές συσκευές.
3. Βεβαιωθείτε ότι το προϊόν δεν εμφανίζει υπερφόρτωση. Ανατρέξτε στην ενότητα *Προστασία του προϊόντος από υπερφόρτωση στη σελίδα 65*.

## Προστασία του προϊόντος από υπερφόρτωση

Η υπερφόρτωση του προϊόντος μπορεί να προκαλέσει ζημιά στο προϊόν και στις συνδεδεμένες ηλεκτρικές συσκευές. Ακολουθήστε τα παρακάτω βήματα, για να μην υπερφορτωθεί το προϊόν.

- Προσθέστε το συνολικό αριθμό W όλων των ηλεκτρικών συσκευών που θα συνδεθούν ταυτόχρονα.



**ΠΡΟΣΟΧΗ:** Ο συνολικός αριθμός W δεν πρέπει να υπερβαίνει την ικανότητα W του προϊόντος.

- Η ονομαστική τιμή W των λυχνιών αναγράφεται επάνω στους λαμπτήρες. Μπορείτε να βρείτε την ονομαστική τιμή W των εργαλείων, του εξοπλισμού και των μοτέρ στο σχετικό αυτοκόλλητο σήμα που βρίσκεται πάνω στη συσκευή.
- Εάν δεν υπάρχει προδιαγραφόμενος αριθμός W στο προϊόν, στο εργαλείο ή στον εξοπλισμό, πολλαπλασιάστε την τιμή V με την ονομαστική τιμή A.
- Να συνδέετε πάντα πρώτα στο προϊόν τις ηλεκτρικές συσκευές με την υψηλότερη τιμή W εκκίνησης. Στη συνέχεια, προσθέστε την τιμή W όλων των άλλων συνδεδεμένων ηλεκτρικών συσκευών.

## Διακοπή λειτουργίας του προϊόντος

1. Απενεργοποιήστε και αποσυνδέστε τις ηλεκτρικές συσκευές από τις πρίζες του ταμπλό ελέγχου.



**ΠΡΟΕΙΔΟΠΟΙΗΣΗ:** Μην σβήνετε τον κινητήρα, εάν οι ηλεκτρικές συσκευές είναι ενεργές και συνδεδεμένες στο προϊόν.

2. Αφήστε τον κινητήρα να λειτουργήσει χωρίς φορτίο για 30 δευτερόλεπτα.
3. Γυρίστε το διακόπτη ισχύος στη θέση OFF.
4. Κλείστε τη βαλβίδα καυσίμου.

## Συντήρηση

### Εισαγωγή



**ΠΡΟΕΙΔΟΠΟΙΗΣΗ:** Προτού εκτελέσετε εργασίες συντήρησης στο προϊόν, διαβάστε και κατανοήστε το κεφάλαιο για την ασφάλεια.

### Πρόγραμμα συντήρησης

\*Καθαρίζετε πιο τακτικά εάν το προϊόν χρησιμοποιείται σε συνθήκες με πολύ σκόνη.

\*\* Οι εργασίες συντήρησης πρέπει να εκτελούνται από εγκεκριμένο αντιπρόσωπο σέρβις.

Συντήρηση	Καθημερινή συντήρηση πριν από τη λειτουργία	Διάστημα συντήρησης σε ώρες				
		Κάθε 20 ώρες ή κάθε μήνα	Κάθε 50 ώρες ή κάθε 3 μήνες	Κάθε 100 ώρες ή κάθε 6 μήνες	Κάθε 300 ώρες ή μία φορά το χρόνο	Κάθε 2 χρόνια
Καθαρίστε το προϊόν.	X					
Ελέγξτε τη στάθμη λαδιού του κινητήρα.	X					
Ελέγξτε το φίλτρο αέρα.	X					
Καθαρίστε το φίλτρο αέρα.	X					
Ελέγξτε το κύπελλο ιζημάτων.	X					
Αντικαταστήστε το λάδι κινητήρα.		X*				
Καθαρίστε ή αντικαταστήστε το φίλτρο αέρα.			X*			
Ελέγξτε και καθαρίστε το μπουζί.				X		
Ελέγξτε τις στροφές ανά λεπτό ρελαντί. Ρυθμίστε τις στροφές ανά λεπτό ρελαντί, αν χρειάζεται.					X**	
Ελέγξτε το διάκενο των βαλβίδων. Ρυθμίστε το διάκενο των βαλβίδων, αν χρειάζεται.					X**	

Συντήρηση	Καθημερινή συντήρηση πριν από τη λειτουργία	Διάστημα συντήρησης σε ώρες				
		Κάθε 20 ώρες ή κάθε μήνα	Κάθε 50 ώρες ή κάθε 3 μήνες	Κάθε 100 ώρες ή κάθε 6 μήνες	Κάθε 300 ώρες ή μία φορά το χρόνο	Κάθε 2 χρόνια
Καθαρίστε το ντεπόζιτο καυσίμου, το φίλτρο καυσίμου και το καρμπιρατέρ.					Χ**	
Καθαρίστε το θάλαμο καύσης.					Χ**	
Αντικαταστήστε τις γραμμές καυσίμου, αν χρειάζεται.						Χ**

## Καθαρισμός του προϊόντος



**ΠΡΟΣΟΧΗ:** Μην χρησιμοποιείτε νερό για να καθαρίσετε το προϊόν. Το νερό μπορεί να προκαλέσει ζημιά στο προϊόν.

- Καθαρίστε τις εξωτερικές επιφάνειες του προϊόντος με ένα υγρό πανί.
- Αφαιρέστε τις ακαθαρσίες και το λάδι με μια μαλακή βούρτσα.
- Αφαιρέστε τις ακαθαρσίες και τα ανεπιθύμητα υλικά από το προϊόν με μια ηλεκτρική σκούπα.
- Αφαιρέστε ακαθαρσίες από τις υποδοχές ψύξης και τα άλλα ανοίγματα του προϊόντος με πεπιεσμένο αέρα.



**ΠΡΟΣΟΧΗ:** Η πίεση του πεπιεσμένου αέρα δεν πρέπει να υπερβαίνει τα 25 psi.

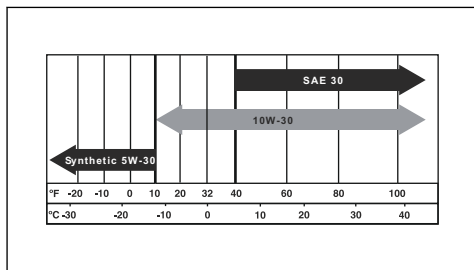
## Έλεγχος της στάθμης λαδιού του κινητήρα



**ΠΡΟΣΟΧΗ:** Μην χρησιμοποιείτε το προϊόν με χαμηλή στάθμη λαδιού κινητήρα. Μπορεί να προκληθεί ζημιά στον κινητήρα.

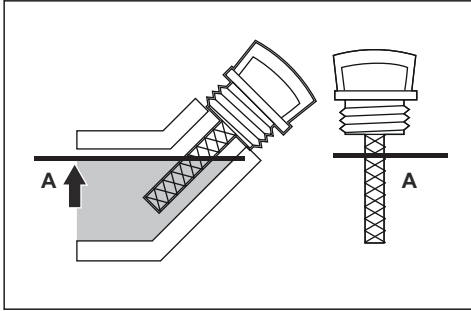


**ΠΡΟΣΟΧΗ:** Χρησιμοποιείτε λάδι κινητήρα κατηγορίας SJ, SL ή καλύτερο σύμφωνα με το Αμερικανικό Ινστιτούτο Πετρελαίου (API). Μην χρησιμοποιείτε ειδικά πρόσθετα. Επιλέξτε τιμές ιξώδους που συμφωνούν με τη θερμοκρασία περιβάλλοντος. Ανατρέξτε στην παρακάτω εικόνα.



1. Διακόψτε πλήρως τη λειτουργία του προϊόντος και βεβαιωθείτε ότι το προϊόν είναι τοποθετημένο σε οριζόντιο έδαφος.
2. Καθαρίστε την περιοχή γύρω από το ντεπόζιτο καυσίμου.
3. Αφαιρέστε την τάπα ντεπόζιτου και τον δείκτη στάθμης λαδιού.
4. Καθαρίστε το λάδι από το δείκτη στάθμης.
5. Τοποθετήστε τον δείκτη στάθμης πίσω εντελώς μέσα στο ντεπόζιτο λαδιού.
6. Αφαιρέστε το δείκτη στάθμης.
7. Εξετάστε τη στάθμη λαδιού του κινητήρα στο δείκτη στάθμης.

8. Αν η στάθμη λαδιού του κινητήρα είναι χαμηλή, γεμίστε λάδι κινητήρα μέχρι η στάθμη του λαδιού να φτάσει στην ένδειξη (A) του δείκτη στάθμης λαδιού. Ανατρέξτε στην ενότητα *Τεχνικά στοιχεία στη σελίδα 71* για τη χωρητικότητα του νεποζίτου λαδιού.



9. Ελέγξτε ξανά τη στάθμη λαδιού του κινητήρα.
10. Τοποθετήστε την τάπα του νεποζίτου και τον δείκτη στάθμης λαδιού.

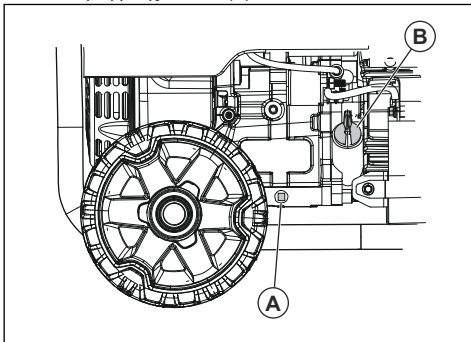
## Αντικατάσταση λαδιού του κινητήρα

**Περιεχόμενα** Αποστραγγίστε το λάδι του κινητήρα ενώ ο κινητήρας είναι ζεστός. Το λάδι αποστραγγίζεται πιο γρήγορα από τον ζεστό κινητήρα.



**ΠΡΟΕΙΔΟΠΟΙΗΣΗ:** Το λάδι κινητήρα θερμαίνεται υπερβολικά και μπορεί να προκαλέσει εγκαύματα. Αφήστε τον κινητήρα να κρυώσει προτού αδειάσετε το λάδι του κινητήρα.

1. Καθαρίστε την περιοχή γύρω από την τάπα αποστράγγισης λαδιού (A).



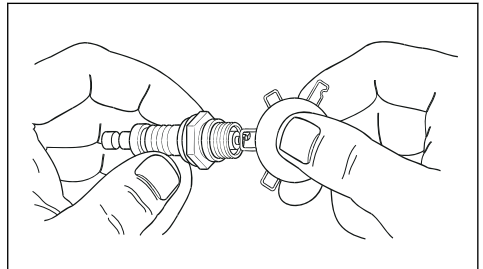
2. Τοποθετήστε ένα κατάλληλο δοχείο καυσίμου κάτω από την οπή αποστράγγισης.
3. Αφαιρέστε την τάπα αποστράγγισης λαδιού και την τάπα του νεποζίτου λαδιού (B).
4. Αδειάστε το λάδι κινητήρα στο δοχείο.

5. Τοποθετήστε την τάπα αποστράγγισης λαδιού και σφίξτε την.
6. Γεμίστε με λάδι κινητήρα. Ανατρέξτε στην ενότητα *Έλεγχος της στάθμης λαδιού του κινητήρα στη σελίδα 67*.
7. Καθαρίστε τυχόν χυμένο λάδι.
8. Ανακυκλώστε το χρησιμοποιημένο λάδι κινητήρα σε εγκεκριμένη τοποθεσία απόρριψης.

## Αντικατάσταση μπουζί

Αντικαταστήστε το μπουζί 1 φορά το χρόνο.

1. Σβήστε τον κινητήρα.
2. Αφαιρέστε το καπάκι του μπουζί από το μπουζί.
3. Καθαρίστε την περιοχή γύρω από το μπουζί και αφαιρέστε το μπουζί από τον κύλινδρο.
4. Ρυθμίστε το διάκενο ηλεκτροδίου. Ανατρέξτε στην ενότητα *Τεχνικά στοιχεία στη σελίδα 71*.



5. Τοποθετήστε ένα καινούργιο μπουζί. Σφίξτε με ροπή 15 ft/lbs.

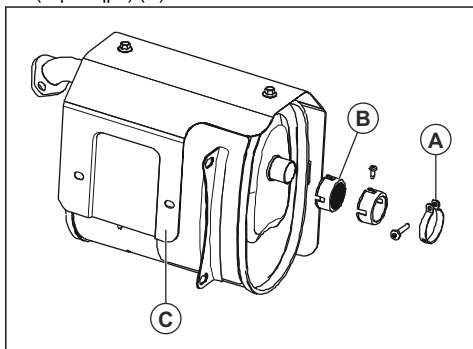
## Έλεγχος σήτας συγκράτησης σπινθήρων

Ελέγχετε και καθαρίζετε τη σήτα συγκράτησης σπινθήρων 1 φορά το χρόνο ή συχνότερα, αν χρειάζεται.



**ΠΡΟΕΙΔΟΠΟΙΗΣΗ:** Σε ορισμένες περιοχές και περιπτώσεις, πρέπει να χρησιμοποιείτε σήτα συγκράτησης σπινθήρων για να αποτρέψετε τον κίνδυνο πυρκαγιάς. Να τηρείτε τους τοπικούς κανονισμούς.

1. Αφαιρέστε το σφικτήρα (A) και τη σήτα συγκράτησης σπινθήρων (B) από την εξάτμιση (σιγαστήρα) (C).



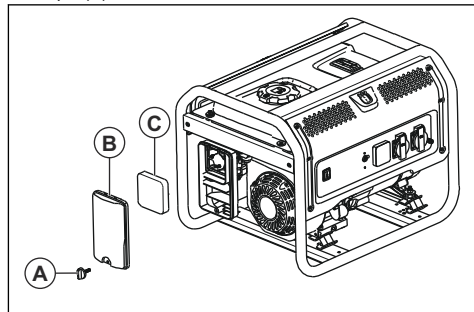
2. Καθαρίστε τη σήτα συγκράτησης σπινθήρων με έναν διαλύτη του εμπορίου.
3. Ελέγξτε τη σήτα συγκράτησης σπινθήρων για φθορά και ζημιά. Αντικαταστήστε τη σήτα συγκράτησης σπινθήρων, αν χρειάζεται.



**ΠΡΟΣΟΧΗ:** Μην χρησιμοποιείτε προϊόντα με κατεστραμμένη σήτα συγκράτησης σπινθήρων.

## Έλεγχος του φίλτρου αέρα

1. Αφαιρέστε τη χειρόβιδα (A) και το κάλυμμα φίλτρου αέρα (B).



2. Αφαιρέστε το φίλτρο αέρα (C).
3. Καθαρίστε το φίλτρο αέρα και το κάλυμμα φίλτρου αέρα με σαπουνόνερο.
4. Αφήστε το φίλτρο αέρα και το κάλυμμα φίλτρου αέρα να στεγνώσουν.
5. Τοποθετήστε το φίλτρο αέρα, το κάλυμμα φίλτρου αέρα και τη χειρόβιδα.

## Αντιμετώπιση προβλημάτων

### Πρόγραμμα αντιμετώπισης προβλημάτων

Πρόβλημα	Αιτία	Λύση
Ο κινητήρας σβήνει, όταν έχει υπερβολικό φορτίο.	Το φίλτρο αέρα δεν είναι καθαρό.	Καθαρίστε ή αντικαταστήστε το φίλτρο αέρα.
	Ο κινητήρας δεν έχει ζεσταθεί.	Αφήστε τον κινητήρα να ζεσταθεί πριν από τη λειτουργία.
Ο κινητήρας δεν παίρνει μπροστά.	Το μπουζί έχει χαλαρώσει.	Ελέγξτε τις συνδέσεις των καλωδίων.
	Λάθος διάκενο ηλεκτροδίου.	Αντικαταστήστε το καπάκι του μπουζί.
	Το καπάκι του μπουζί είναι κατεστραμμένο.	Αντικαταστήστε το καπάκι του μπουζί.
	Ληγμένη ή χαμηλής ποιότητας βενζίνη.	Ανεφοδιασμός με καύσιμο.
	Λάθος συμπίεση.	Ρυθμίστε τη συμπίεση.

Πρόβλημα	Αιτία	Λύση
Ο κινητήρας σβήνει ξαφνικά.	Η στάθμη λαδιού κινητήρα είναι χαμηλή.	Γεμίστε με λάδι κινητήρα.
	Το ντεπόζιτο καυσίμου είναι άδειο ή έχει βενζίνη χαμηλής ποιότητας.	Ανεφοδιασμός με καύσιμο.
	Ελαπτωματική τάπα ντεπόζιτου καυσίμου.	Αντικαταστήστε την τάπα ντεπόζιτου καυσίμου.
	Ελαπτωματικός μαγνήτης.	Απευθυνθείτε σε έναν εγκεκριμένο αντιπρόσωπο σέρβις.
	Το καπάκι του μπουζι δεν έχει τοποθετηθεί σωστά.	Τοποθετήστε το καπάκι του μπουζι.
Από τον κινητήρα ακούγονται "πυράκια" (κτύπημα).	Ληγμένη ή χαμηλής ποιότητας βενζίνη.	Ανεφοδιασμός με καύσιμο.
	Υπερφόρτωση κινητήρα.	Ανατρέξτε στην ενότητα <i>Προστασία του προϊόντος από υπερφόρτωση στη σελίδα 65.</i>
	Μηχανικό πρόβλημα.	Απευθυνθείτε σε έναν εγκεκριμένο αντιπρόσωπο σέρβις.
Πρώρη ανάφλεξη (backfire) του κινητήρα.	Βενζίνη χαμηλής ποιότητας.	Ανεφοδιασμός με καύσιμο.
	Ο κινητήρας είναι πολύ κρύος.	Χρησιμοποιήστε καύσιμο για συνθήκες χαμηλής θερμοκρασίας και πρόσθετα λαδιού.
	Η βαλβίδα εισαγωγής είναι φραγμένη ή ο κινητήρας είναι πολύ ζεστός.	Απευθυνθείτε σε έναν εγκεκριμένο αντιπρόσωπο σέρβις.
	Λάθος χρονισμός ανάφλεξης.	Ελέγξτε το χρονισμό της ανάφλεξης.
Το προϊόν δεν τροφοδοτείται με ρεύμα.	Το προϊόν δεν είναι συνδεδεμένο στην ηλεκτρική πηγή.	Διακόψτε τη λειτουργία του προϊόντος και αποσυνδέστε το. Συνδέστε το προϊόν και θέστε το ξανά σε λειτουργία.
	Έχει ενεργοποιηθεί ένας ασφαλειοδιακόπτης.	Διακόψτε τη λειτουργία του προϊόντος και αποσυνδέστε το. Θέστε ξανά τον ασφαλειοδιακόπτη σε λειτουργία. Συνδέστε το προϊόν και θέστε το ξανά σε λειτουργία.
	Η πρίζα είναι ενεργοποιημένη.	Διακόψτε τη λειτουργία του προϊόντος και αποσυνδέστε το. Ελέγξτε την πρίζα. Αν η πρίζα δεν έχει ζημιά, εκκινήστε και συνδέστε ξανά το προϊόν.
	Πρέπει να γίνει σέρβις.	Απευθυνθείτε σε έναν εγκεκριμένο αντιπρόσωπο σέρβις.
Το προϊόν δεν λειτουργεί σωστά.	Πρόβλημα με μια ηλεκτρική συσκευή.	Αποσυνδέστε τη συγκεκριμένη ηλεκτρική συσκευή. Απευθυνθείτε σε έναν εγκεκριμένο αντιπρόσωπο σέρβις.
	Πολύ υψηλό φορτίο στο προϊόν.	Μειώστε τον αριθμό των ηλεκτρικών συσκευών που είναι συνδεδεμένες στο προϊόν.



**ΠΡΟΣΟΧΗ:** Αν το πρόβλημα παραμένει, απευθυνθείτε σε έναν εγκεκριμένο αντιπρόσωπο σέρβις.

## Προετοιμασία του προϊόντος για μακροχρόνια αποθήκευση

Αν το προϊόν πρόκειται να παραμείνει αποθηκευμένο για περισσότερες από 30 ημέρες, ακολουθήστε τα παρακάτω βήματα. Ακολουθήστε την παρακάτω διαδικασία, για να αποφύγετε προβλήματα στο σύστημα καυσίμου.

1. Προσθέστε σταθεροποιητή καυσίμου στο καύσιμο. Ο σταθεροποιητής καυσίμου πρέπει να συμφωνεί με τις συστάσεις του κατασκευαστή.
2. Αφήστε το προϊόν να λειτουργεί για 10-15 λεπτά.
3. Αφήστε τον κινητήρα να κρυώσει και αδειάστε το ντεπόζιτο καυσίμου.



**ΠΡΟΣΟΧΗ:** Μην αποθηκεύετε το καύσιμο για μεγάλο χρονικό διάστημα. Απορρίψτε τη βενζίνη που δεν είναι καθαρή.

4. Θέστε σε λειτουργία τον κινητήρα και αφήστε τον να λειτουργήσει μέχρι να καταναλωθεί όλο το καύσιμο και να σταματήσει το προϊόν.
5. Αφήστε τον κινητήρα να κρυώσει και αντικαταστήστε το λάδι κινητήρα.

6. Αφαιρέστε το καπάκι μπουζί και ρίξτε περίπου ½ oz/15 ml λαδιού κινητήρα στον κύλινδρο.
7. Τοποθετήστε ένα πανί στην οπή του μπουζί για προστασία.
8. Τραβήξτε 5 φορές τη λαβή του συστήματος εκκίνησης για να λιπανθούν τα εξαρτήματα του κινητήρα.
9. Τοποθετήστε και σφίξτε το μπουζί.



**ΠΡΟΕΙΔΟΠΟΙΗΣΗ:** Μην τοποθετήσετε το καπάκι του μπουζί.

10. Καθαρίστε το προϊόν.
11. Τοποθετήστε το προϊόν σε ένα καθαρό εσωτερικό χώρο χωρίς υγρασία.
12. Τοποθετήστε ένα κάλυμμα στο προϊόν για προστασία.



**ΠΡΟΕΙΔΟΠΟΙΗΣΗ:** Μην τοποθετείτε κάλυμμα στο προϊόν, αν είναι ζεστό.

## Τεχνικά στοιχεία

### Τεχνικά στοιχεία

	Husqvarna G1300P	Husqvarna G1300P	Husqvarna G2500P	Husqvarna G2500P	Husqvarna G3200P
Κυβισμός κινητήρα, cc	98,5	98,5	196	196	212
Μέγιστη ισχύς, W <sup>7</sup>	1000	1200	2200	2800	3000
Ονομαστική ισχύς, W	800	1000	2000	2500	2800
Τάση, V	230	110/220,120/240	230	110/220,120/240	230
Ονομαστική συχνότητα, Hz	50	60	50	60	50
Φάση	1	1	1	1	1

<sup>7</sup> Η μέγιστη ηλεκτρική ισχύς εξαρτάται και περιορίζεται από παράγοντες όπως το ενεργειακό περιεχόμενο του καυσίμου, η θερμοκρασία περιβάλλοντος, το υψόμετρο, η κατάσταση του κινητήρα κ.λπ. Η μέγιστη ισχύς μειώνεται περίπου κατά 3,5% κάθε 305 μέτρα (1.000 πόδια) πάνω από την επιφάνεια της θάλασσας, ενώ επίσης μειώνεται περίπου κατά 1% κάθε 6 °C (10 °F) πάνω από τους 16 °C (60 °F) τη θερμοκρασίας περιβάλλοντος.

	Husqvarna G1300P	Husqvarna G1300P	Husqvarna G2500P	Husqvarna G2500P	Husqvarna G3200P
Καθαρό βάρος, kg	28,0	28,0	43,0	43,0	49,0
Μικτό βάρος, kg	29,2	29,2	45,0	45,0	51,0
Διαστάσεις συσκευασίας, mm	500X375X435	500X375X435	500X375X435	500X375X435	625X495X495
Χωρητικότητα ντεπόζιτου λαδιού, l	0,45	0,45	0,6	0,6	0,6
Διάκενο ηλεκτροδίου, mm/in.	0,76/0,030	0,76/0,030	0,76/0,030	0,76/0,030	0,76/0,030
Τύπος	Βενζίνη	Βενζίνη	Βενζίνη	Βενζίνη	Βενζίνη
Μετρούμενη στάθμη ηχητικής ισχύος, dB (A)			95	95	96
Εγγυημένη στάθμη ηχητικής ισχύος, dB (A)			95	95	96

	Husqvarna G3200P	Husqvarna G5500P	Husqvarna G5500P	Husqvarna G8500P	Husqvarna G8500P
Κυβισμός κινητήρα, cc	212	389	389	458	458
Μέγιστη ισχύς, W <sup>8</sup>	3200	5500	6000	8000	8500
Ονομαστική ισχύς, W	3000	5000	5500	7500	8000
Τάση, V	110/220,120/240	230	110/220,120/240	230	110/220,120/240
Ονομαστική συχνότητα, Hz	60	50	60	50	60
Φάση	1	1	1	1	1
Καθαρό βάρος, kg	49,0	88,0	88,0	106,4	106,4
Μικτό βάρος, kg	51,0	91,0	91,0	109,5	109,5
Διαστάσεις συσκευασίας, mm	625X495X495	720X560X585	720X560X585	720X560X585	720X560X585
Χωρητικότητα ντεπόζιτου λαδιού, l	0,6	1,1	1,1	1,1	1,1

<sup>8</sup> Η μέγιστη ηλεκτρική ισχύς εξαρτάται και περιορίζεται από παράγοντες όπως το ενεργειακό περιεχόμενο του καυσίμου, η θερμοκρασία περιβάλλοντος, το υψόμετρο, η κατάσταση του κινητήρα κ.λπ. Η μέγιστη ισχύς μειώνεται περίπου κατά 3,5% κάθε 305 μέτρα (1.000 πόδια) πάνω από την επιφάνεια της θάλασσας, ενώ επίσης μειώνεται περίπου κατά 1% κάθε 6 °C (10 °F) πάνω από τους 16 °C (60 °F) τη θερμοκρασίας περιβάλλοντος.



	Husqvarna G3200P	Husqvarna G5500P	Husqvarna G5500P	Husqvarna G8500P	Husqvarna G8500P
Διάκενο ηλεκτροδίου, mm/in.	0,76/0,030	0,76/0,030	0,76/0,030	0,76/0,030	0,76/0,030
Τύπος	Βενζίνη	Βενζίνη	Βενζίνη	Βενζίνη	Βενζίνη
Μετρούμενη στάθμη ηχητικής ισχύος, dB (A)	96				
Εγγυημένη στάθμη ηχητικής ισχύος, dB (A)	96				

## Οδηγός αναφοράς Watt

**Περιεχόμενα** Όλοι οι αριθμοί δίνονται κατά προσέγγιση. Ανατρέξτε στην ετικέτα δεδομένων της συσκευής για τις απαιτήσεις ηλεκτρικής ισχύος.

Συσκευή	Ισχύς λειτουργίας (W)	Πρόσθετη ισχύς εκκίνησης (W)
<b>Έκτακτη ανάγκη</b>		
Ψυγείο/καταψύκτης	700	1500
Ραδιοεπικοινωνία	100	0
<b>Εργοτάξιο</b>		
Συμπιεστής αέρα - ½ HP	1000	1000
Επιτραπέζιος κόφτης - 10"	1700	1300
Ταινιοτριβείο - 3"	1200	1200
Χειροκίνητο τρυπάνι - ½"	600	600
Φως εργασίας αλογόνου	1000	0
Παλινδρομικό πριόνι	900	900
<b>Αναψυχή</b>		
Ραδιόφωνο AM/FM	100	0
Ηλεκτρική ψηστήρα	1700	0
Αντλία φουσκώματος 50	100	-
Συσκευή αναπαραγωγής CD/DVD	100	0
Ανεμιστήρας τύπου box - 20"	200	200
Καφετιέρα	600	0
<b>Νοικοκυριό</b>		
Υπολογιστής με οθόνη	800	0
Ηλεκτρικό στεγνωτήριο ρούχων	5500	500
Ηλεκτρική κουζίνα	2100	0

<b>Συσκευή</b>	<b>Ισχύς λειτουργίας (W)</b>	<b>Πρόσθετη ισχύς εκκίνησης (W)</b>
Ηλεκτρικός θερμαντήρας νερού	2000	0
Λαμπτήρας φωτός - 100 W	100	0
Φούρνος μικροκυμάτων - 1000 W	1000	200
Αντλία αποβλήτων - ½ HP	1000	1100
Τηλεόραση	400	0
Πλυντήριο ρούχων	1100	1100
Αντλία φρεατίου - ½ HP	1000	1000
<b>Γκαζόν και κήπος</b>		
Κοπτικό μπορντούρας	400	400
Πλυστικό υψηλής πίεσης	1200	1200
Χλοκοπτικό	1200	1200
Κόφτης άκρων	1000	1000
<b>Θέρμανση και ψύξη</b>		
Κεντρικό κλιματιστικό - 10.000 BTU	1500	1500
Ανεμιστήρας φούρνου - ½ HP	900	1400
Θερμάστρα	1800	0
Κλιματιστικό παραθύρου - 10.000 BTU	1200	600

---

# Δήλωση Συμμόρφωσης ΕΚ

---

## Δήλωση Συμμόρφωσης ΕΚ

Για το παρακάτω μηχανήμα:

- Ονομασία προϊόντος: Φορητή γεννήτρια
- Λειτουργία: Μονάδα παραγωγής χαμηλής ισχύος
- Αρ. μοντέλου: G 2500P, G 3200P
- Αρ. σειράς: 1945013770, 1945013793 και εξής

**επιβεβαιώνεται ότι πληροί όλες τις σχετικές διατάξεις της**

- Οδηγίας περί Μηχανημάτων (2006/42/ΕΚ)
- Οδηγίας χαμηλής τάσης (2014/35/EU)
- Οδηγίας σχετικά με τον περιορισμό των επικίνδυνων ουσιών (RoHS) (2011/65/ΕΕ)
- Οδηγίας περί Ηλεκτρομαγνητικής Συμβατότητας (2014/30/ΕΕ)
- Οδηγίας περί Εκπομπών Θορύβου από εξοπλισμό για χρήση σε εξωτερικούς χώρους (2000/14/ΕΚ + 2005/88/ΕΚ)

**και ότι συμμορφώνεται με το παρακάτω εναρμονισμένο πρότυπο:**

- EN ISO 8528-13:2016, EN 61000-6-1:2007, EN 55012:2007+A1

**Διαδικασία αξιολόγησης συμμόρφωσης: 2000/14/ΕΚ, όπως τροποποιήθηκε στις 2005/88/ΕΚ - Παράρτημα VI**

Η TÜV Rheinland LGA Products GmbH, κοινοποιημένος οργανισμός για τα μηχανήματα (κοινοποιηθείσα υπό τον αριθμό 0197), Tillystraße 2 - 90431 Nürnberg, Germany, διενήργησε την πιστοποίηση θορύβου. Για πληροφορίες σχετικά με τις εκπομπές θορύβου, ανατρέξτε στην ενότητα *Τεχνικά στοιχεία στη σελίδα 71*.

Huskvarna, 10/6/2020



Claes Losdal, Διευθυντής ανάπτυξης/Προϊόντα κήπου  
(Εξουσιοδοτημένος αντιπρόσωπος της Huskvarna AB  
και υπεύθυνος για την τεχνική τεκμηρίωση).

## Contenido

Introducción.....	76	Mantenimiento.....	85
Seguridad.....	79	Resolución de problemas.....	88
Montaje.....	82	Preparación del producto para un almacenamiento prolongado.....	89
Instalación.....	83	Datos técnicos.....	90
Funcionamiento.....	83	Declaración de conformidad CE.....	94

## Introducción

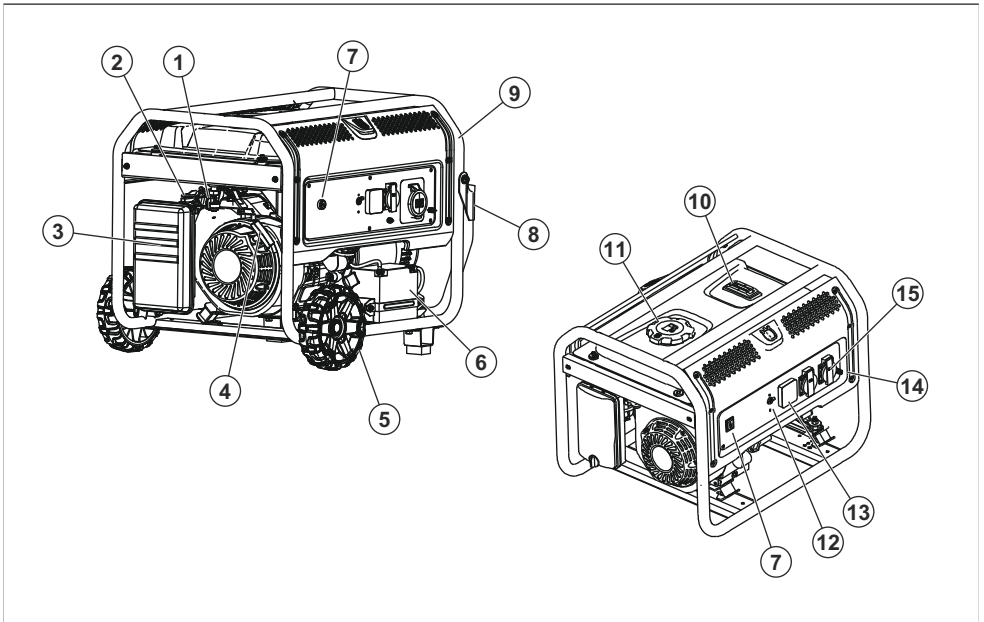
### Descripción del producto

Este producto es un generador portátil con motor de combustión.

### Uso previsto

El producto suministra alimentación eléctrica para llevarla a lugares donde no hay electricidad disponible. No utilice el producto para otras tareas.

### Descripción del producto



1. Válvula de combustible
2. Estrangulador
3. Filtro de aire
4. Empuñadura de la cuerda de arranque
5. Rueda
6. Batería
7. Interruptor de encendido
8. Mango
9. Cuerpo
10. Calibrador de combustible

11. Tapón del depósito de combustible
12. Disyuntores de CA
13. Medidor VFT
14. Terminal de puesta a tierra
15. Toma de CA

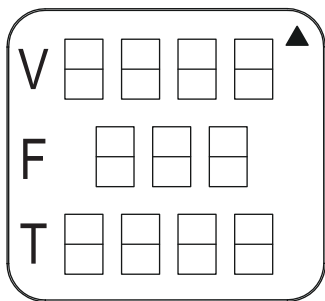
## Terminal de 12 V de CC

El terminal de 12 V de CC es una fuente de alimentación para unidades de 12 V de CC.



## Medidor VFT

El medidor VFT muestra la tensión, la frecuencia y el tiempo total de funcionamiento del producto.



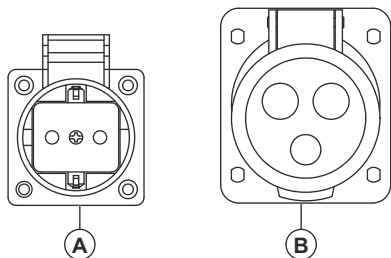
## Tomas de CA

El producto cuenta con varias tomas de CA para alimentar herramientas y equipos. Las tomas de CA son diferentes según el país.

UE, monofásica, 50 Hz

A: Toma de 2 patillas, 230 V.

B: Toma de 3 patillas, 32 A, 230 V.

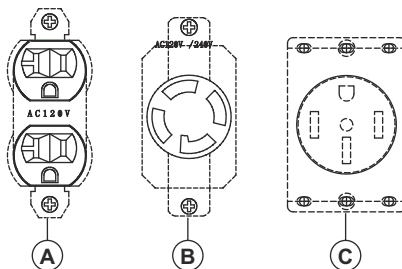


EE. UU., monofásica, 60 Hz

A: Toma dúplex de 3 patillas, 120 V.

B: Toma con bloqueo giratorio de 4 patillas, 30 A, 120/240 V.

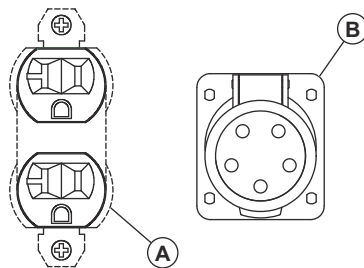
C: Toma de 4 patillas, 50 A, 120/240 V.



EE. UU., trifásica, 60 Hz

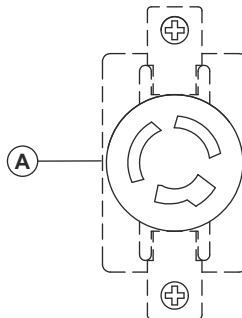
A: Toma dúplex de 3 patillas, 110 V.

B: Toma trifásica de 5 patillas, 127/220 V.



Canadá, monofásica, 50 Hz

A: Toma con bloqueo giratorio de 3 patillas, 230 V.



## Símbolos que aparecen en el producto



**ADVERTENCIA:** Tenga cuidado y utilice el producto correctamente. Este producto puede ocasionar lesiones graves o mortales tanto al operador como a cualquier otra persona.



Lea atentamente el manual de usuario y asegúrese de que entiende las instrucciones antes de utilizar este producto.



Riesgo de incendio o explosión.



Riesgo de intoxicación por monóxido de carbono. No utilice el producto en zonas con un flujo de aire insuficiente.



Riesgo de descarga eléctrica.



Riesgo de lesiones por quemaduras.



Añadir aceite.



Añadir combustible.



Abra el paso de combustible.



Poner el interruptor de encendido en la posición ON (encendido).



Poner el estrangulador en la posición OFF (apagado).



Poner el estrangulador en la posición ON (encendido).



Tire de la empuñadura de la cuerda de arranque.



Conectar las cargas eléctricas.



Desconectar las cargas eléctricas.



Cierre el paso de combustible.



Emisiones sonoras al medio ambiente conformes con la directiva europea 2000/14/CE y con la regulación de 2017 sobre de protección del medio ambiente (control de ruidos) (Protection of the Environment Operations - Noise Control) de la legislación de Nueva Gales del Sur. Los datos sobre las emisiones sonoras se pueden encontrar en la etiqueta de la máquina y en el capítulo Datos técnicos.



No utilizar el producto en interiores.



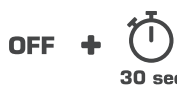
Utilizar el producto en exteriores. Mantener el producto alejado de ventanas, puertas o salidas de aire.



Poner el estrangulador en la posición ON (encendido) y esperar 50 segundos.

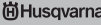



Poner el estrangulador en la posición OFF (apagado) y esperar 50 segundos.



Esperar 30 segundos y poner el interruptor de encendido en la posición OFF (apagado).

# Placa de identificación

	Prod. year 0000
Product	<input type="text"/>
Serial No.	<input type="text"/>
Article No.	<input type="text"/>
Model	<input type="text"/>
Weight	<input type="text"/>
Rated current	<input type="text"/>
Max Power	<input type="text"/>
COP Power	<input type="text"/>
Voltage	<input type="text"/>
Rated Frequency	<input type="text"/>
Power factor	<input type="text"/>
Performance class	<input type="text"/>
Quality class	<input type="text"/>
Protection class	<input type="text"/>
Husqvarna AB SE-561 82 Huskvarna Sweden	Low-power generating set 

---

## Seguridad

---

### Definiciones de seguridad

Las advertencias, precauciones y notas se utilizan para destacar información especialmente importante del manual.



**ADVERTENCIA:** Indica un riesgo de lesiones o incluso de muerte del usuario o de las personas cercanas si no se respetan las instrucciones del manual.



**PRECAUCIÓN:** Indica un riesgo de daños en el producto, otros materiales o el área adyacente si no se respetan las instrucciones del manual.

**Nota:** Se usa para proporcionar más información necesaria en una situación determinada.

### Instrucciones generales de seguridad



**ADVERTENCIA:** Lea y comprenda las instrucciones de advertencia siguientes antes de utilizar el producto.

- Lea y comprenda el manual de usuario y las etiquetas de seguridad del producto antes de utilizarlo. Su seguridad personal y la de los demás es su responsabilidad.
- Siga las instrucciones del manual de usuario.
- No es posible advertir de cada situación que pueda producirse durante el funcionamiento y el mantenimiento de este producto. Proceda siempre con cuidado y utilice siempre el sentido común.

### Seguridad en el uso del combustible



**ADVERTENCIA:** Lea y comprenda las instrucciones de advertencia siguientes antes de utilizar el producto.

- La gasolina es altamente inflamable y los vapores son explosivos. No permita que se fume ni que haya llamas vivas, chispas o calor en las proximidades durante la manipulación de gasolina.
- Nunca añada combustible mientras el producto está en marcha o a alta temperatura. Espere a que el motor se enfríe por completo antes de añadir combustible.
- Nunca llene el depósito de combustible en interiores.
- Obedezca la legislación en vigor en materia de almacenamiento y manipulación de gasolina.
- No llene en exceso el depósito de combustible. Deje siempre espacio suficiente para la expansión del combustible. Si el depósito de combustible está demasiado lleno, el combustible puede rebosar sobre el motor caliente y provocar un incendio o una explosión.
- No almacene nunca el producto con combustible en el depósito de combustible en un lugar en el que los vapores de la gasolina puedan alcanzar llamas vivas, chispas o pilotos luminosos (como los de hornos, calderas de agua o secadores de ropa). Podrían producirse incendios o explosiones. Deje que se enfríe el producto totalmente antes de almacenarlo.
- Limpie de inmediato cualquier derrame de combustible o aceite. Asegúrese de no dejar ningún material combustible en el producto ni en sus inmediaciones. Mantenga el área que rodea el producto limpia y libre de residuos. Mantenga un

espacio libre de 1,5 m (5 pies) alrededor del producto para permitir una ventilación adecuada.

- No utilice el producto si un dispositivo eléctrico conectado se sobrecalienta, si se interrumpe el suministro de corriente o si se observan llamas o humo mientras el producto está en funcionamiento.
- Tenga siempre a mano un extintor de incendios cerca del producto.
- No derrame combustible sobre un motor caliente.
- No fume ni encienda cigarrillos cerca del producto o del combustible.
- Drene el combustible en un recipiente aprobado al aire libre y alejado de llamas abiertas, y asegúrese de que el motor está frío.

## Seguridad del escape



**ADVERTENCIA:** Lea y comprenda las instrucciones de advertencia siguientes antes de utilizar el producto.

- Nunca utilice el producto en lugares cerrados ni en interiores. Nunca utilice el producto dentro de casa, de un vehículo o en zonas parcialmente cerradas, como garajes, aunque las puertas y ventanas estén abiertas. Utilícelo únicamente en exteriores y alejado de ventanas, puertas y salidas de aire, siempre en una zona en la que no se acumulen gases de escape mortales.
- Los gases de escape del motor contienen monóxido de carbono, una sustancia invisible e inodora. Si se inhala una concentración suficiente de este gas tóxico puede dejar inconsciente e incluso resultar mortal.
- Es de vital importancia contar con una circulación de aire de refrigeración y ventilación adecuada y libre de obstrucciones para poder utilizar el producto correctamente. No modifique la instalación ni permita que se obstruyan (aun parcialmente) los mecanismos de ventilación, ya que podría afectar gravemente al funcionamiento del producto. El producto debe utilizarse al aire libre.
- Utilice siempre un detector de monóxido de carbono con alarma a batería en interiores. Instálelo conforme a las instrucciones del fabricante.
- Si empieza a sentirse indispuerto, mareado o débil tras poner en marcha el producto, trasládese de inmediato a una zona con aire fresco. Consulte con un médico, ya que podría haberse intoxicado por monóxido de carbono.

## Seguridad eléctrica



**ADVERTENCIA:** Lea y comprenda las instrucciones de advertencia siguientes antes de utilizar el producto.

- Durante el uso del producto se generan altas tensiones muy peligrosas. Evite el contacto con

cables, terminales, conexiones y otros componentes que estén expuestos durante el funcionamiento del producto, incluso cuando haya equipos conectados al producto. Asegúrese de que las cubiertas, protecciones y barreras estén colocadas en sus correspondientes posiciones antes de utilizar el producto.

- Nunca manipule o maneje ningún cable eléctrico o dispositivo eléctrico estando sobre agua, descalzo ni con las manos o los pies húmedos. Pueden producirse descargas eléctricas peligrosas.
- Algunos países pueden exigir que tanto el bastidor como aquellos componentes cuyo exterior sea conductor de la electricidad estén debidamente conectados a tierra, con una conexión autorizada. Algunos países también pueden requerir la adecuada puesta a tierra del producto. Consulte con un electricista cuáles son los requisitos de puesta a tierra en su zona.
- Utilice un interruptor diferencial en cualquier zona húmeda o con gran conductividad (por ejemplo, en chapas metálicas o trabajos en acero).
- No utilice con el producto cables eléctricos que estén desgastados, expuestos, deshilachados o dañados de cualquier otra forma.
- En caso de accidente causado por una sacudida eléctrica, apague inmediatamente la fuente de alimentación eléctrica. Si no fuera posible, intente separar a la víctima de la sustancia conductora con corriente. Evite el contacto directo con la víctima. Utilice un objeto no conductor, como una cuerda o un tablón, para separar a la víctima de la sustancia conductora con corriente. Si la víctima estuviera inconsciente, lleve a cabo procedimientos de primeros auxilios y busque ayuda médica de inmediato.

## Instrucciones de seguridad para el funcionamiento



**ADVERTENCIA:** Lea y comprenda las instrucciones de advertencia siguientes antes de utilizar el producto.

- Utilice el producto únicamente en superficies niveladas y en lugares donde no esté expuesto a un exceso de humedad, suciedad, polvo o vapores corrosivos.
- Mantenga las manos, la piel, la ropa, etc., alejados de correas de transmisión, ventiladores y otros componentes móviles. Nunca retire ninguna protección o carcasa de ventilador con la unidad en marcha.
- Algunos componentes del generador alcanzan temperaturas muy elevadas durante su uso. Manténgase alejado del generador hasta que se haya enfriado para evitar quemaduras graves.
- No utilice el producto bajo la lluvia.



- No modifique la estructura del producto ni sustituya ninguno de sus mandos, ya que podría dar pie a situaciones poco seguras.
- Nunca arranque ni detenga el producto con cargas eléctricas conectadas a las tomas ni si los dispositivos conectados a ella están encendidos o activados. Arranque el motor y espere a que se estabilice antes de conectar cargas eléctricas. Desconecte todas las cargas eléctricas antes de apagar el generador.
- No introduzca objetos a través de las ranuras de refrigeración del producto, aunque el motor no esté en marcha.
- Permanezca alerta en todo momento durante la realización de trabajos en el equipo. Nunca realice trabajos en el equipo si sufre de cansancio físico o mental.
- No utilice el producto ni ninguno de sus componentes a modo de escalera o apoyo. Si se sube al producto, puede aplicar tensión a la unidad y provocar la ruptura de componentes, lo que podría dar pie a condiciones de funcionamiento peligrosas derivadas de la fuga de gases de escape, combustible, aceite, etc.
- Asegúrese de conocer todos los controles y ajustes antes de la puesta en funcionamiento.
- No sobrecargue el producto. Asimismo, tampoco sobrecargue ninguna de las tomas del panel. Estas salidas están protegidas contra sobrecargas por medio de disyuntores. Si se supera la capacidad nominal (amperaje) de alguno de los disyuntores, se abre el disyuntor y se interrumpe el suministro de corriente a la toma correspondiente.
- Nunca arranque ni detenga el motor con dispositivos eléctricos conectados a las tomas ni con los dispositivos encendidos.

### Dispositivos de seguridad en el producto

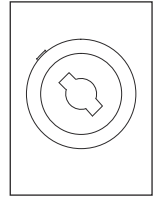
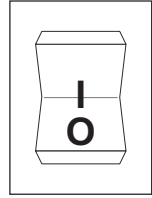


**ADVERTENCIA:** Lea las siguientes instrucciones de advertencia antes de utilizar el producto.

- No utilice un producto que tenga dispositivos de seguridad defectuosos.
- Realice una comprobación de los dispositivos de seguridad con frecuencia. Si los dispositivos de seguridad están defectuosos, hable con su taller de servicio Husqvarna.

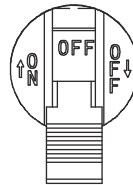
### Interruptor de encendido

Utilice el interruptor de encendido para arrancar y detener el motor.



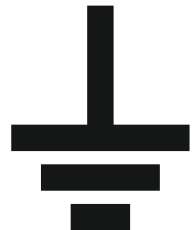
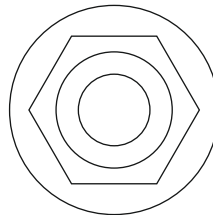
### Disyuntores

Los disyuntores evitan la sobrecarga del producto. La información sobre el valor nominal del disyuntor se muestra junto al propio disyuntor.



### Terminal de puesta a tierra

El terminal de puesta a tierra garantiza que el producto esté correctamente conectado a tierra. Antes de cada puesta en marcha, se debe conectar un cable de tierra al terminal de tierra.



## Instrucciones de seguridad para el mantenimiento



**ADVERTENCIA:** Lea y comprenda las siguientes instrucciones de advertencia antes de realizar el mantenimiento del producto.

- Por motivos de seguridad, el fabricante recomienda que las tareas de mantenimiento de este equipo se lleven a cabo en un distribuidor autorizado. Inspeccione el generador con regularidad y póngase en contacto con el distribuidor autorizado más cercano en caso de necesitar reparar o sustituir componentes.
- Este producto está equipado con un silenciador que cuenta con un apagachispas. El propietario o usuario debe mantener el apagachispas en las debidas condiciones de mantenimiento.
- Es necesario llevar a cabo las pertinentes tareas de mantenimiento del sistema de escape. No haga nada que pueda vulnerar la seguridad del sistema de escape o su cumplimiento con la legislación o norma local en vigor.

- Antes de realizar el mantenimiento del producto, desconecte la batería de arranque del motor (si la hubiera) para evitar arranques accidentales. Desconecte en primer lugar el cable del borne de la batería marcado como negativo, "NEG" o "(-)". A la hora de volver a conectar los cables, conecte este en último lugar.
- Cualquier intento de giro o arranque del motor antes de haberlo llenado debidamente con el aceite recomendado puede averiarlo.
- Al trabajar con el producto, desconecte siempre el sombrerete de la bujía y manténgalo apartado de ella.
- El aceite caliente puede causar quemaduras. Espere a que se enfríe el motor antes de vaciar aceite. Evite la exposición prolongada o repetida de la piel con aceite usado. Lave a fondo las zonas que hayan quedado expuestas con jabón.
- La garantía del producto no cubre piezas que hayan sufrido desperfectos por un uso indebido del usuario o su negligencia. Para aprovechar todas las ventajas de la garantía, el usuario debe mantener el producto tal como se indica en este manual de usuario.

## Montaje

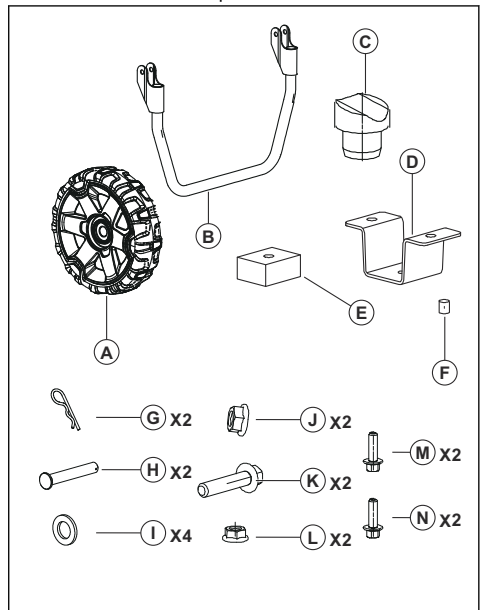
### Introducción



**ADVERTENCIA:** Asegúrese de leer y comprender el capítulo sobre seguridad antes de montar el producto.

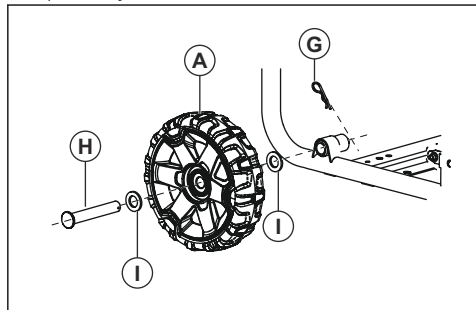
### Montaje del kit de accesorios (G5500P, G8500P)

1. Familiarícese con las piezas del kit de accesorios.

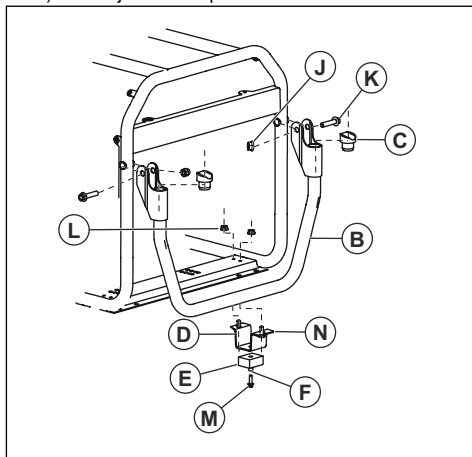


2. Monte el kit de accesorios. Consulte las ilustraciones.

a) Montaje de la rueda:



b) Montaje de la empuñadura:



## Instalación

### Introducción



**ADVERTENCIA:** Asegúrese de leer y comprender el capítulo sobre seguridad antes de instalar el producto.

### Conexión a tierra del producto



**ADVERTENCIA:** El producto debe conectarlo a tierra una persona con mucha experiencia y conocimientos en el campo de la electricidad. En algunas zonas, la instalación debe realizarla un electricista cualificado. Cumpla con las normas locales.

1. Instale una pica de tierra a un mínimo de 60 cm (24 pulg.) en el suelo.



**ADVERTENCIA:** La pica de tierra debe ser de latón o cobre.

2. Conecte un cable de tierra de 2,5 mm<sup>2</sup> desde el terminal de tierra del panel de control a una pica de tierra.

**Nota:** El cable de tierra y la pica de tierra no se suministran con el producto.

### Conexión del producto con el sistema eléctrico de un edificio



**ADVERTENCIA:** El producto debe conectarlo a tierra una persona con mucha experiencia y conocimientos en el campo de la electricidad. En algunas zonas, la instalación debe realizarla un electricista cualificado. Cumpla con las normas locales.

- Utilice un conmutador de transferencia manual para conectar el producto a un sistema eléctrico.
- Asegúrese de realizar el procedimiento de acuerdo con todas las normativas nacionales y locales.

## Funcionamiento

### Introducción



**ADVERTENCIA:** Asegúrese de leer y comprender el capítulo sobre seguridad antes de usar el producto.

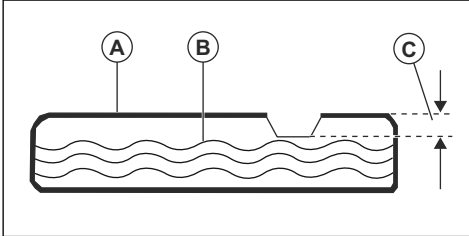
### Repostaje de combustible

Utilice gasolina sin plomo. No utilice gasolina con más de un 10 % de etanol ni gasolina E85.



**PRECAUCIÓN:** No mezcle aceite con gasolina.

1. Detenga el motor y deje que el producto se enfríe. Consulte la sección *Parada del producto en la página 85*.
2. Asegúrese de que el producto está en un terreno nivelado y en una zona con buena ventilación.
3. Extraiga el tapón del depósito de combustible.
4. Llène con cuidado el depósito de combustible (A). Llène el combustible (B) hasta la marca (C).

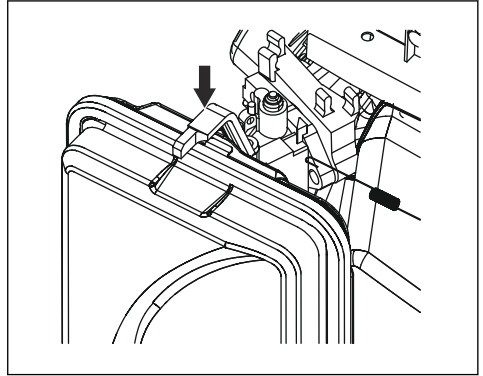


5. Limpie el combustible derramado del producto.



**PRECAUCIÓN:** El combustible derramado supone un riesgo de incendio y puede causar daños al medio ambiente.

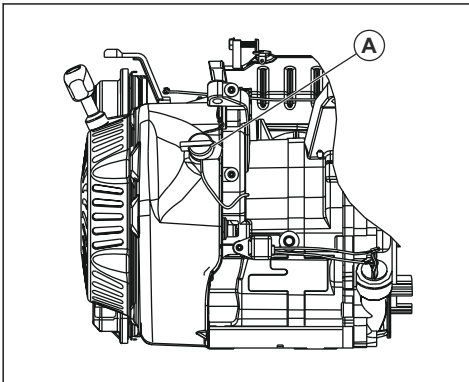
8. Para el arranque eléctrico, realice los pasos que se indican a continuación.
  - a) Mantenga pulsado el interruptor ON/OFF/START en la posición START (arranque).
  - b) Una vez arrancado el motor, mueva el interruptor ON/OFF/START a la posición ON (encendido).
9. Ponga el estrangulador en la posición de estrangulamiento medio.
10. Cuando el motor funcione con normalidad, coloque el estrangulador en la posición ON (encendido).



**Nota:** Para G1300P, las posiciones ON (encendido) y OFF (apagado) del estrangulador se encuentran en las posiciones opuestas.

## Arranque del producto

1. Desconecte todas las cargas eléctricas de las tomas del panel de control.
2. Asegúrese de que el producto está sobre una superficie nivelada.
3. Abra el paso de combustible.
4. Ponga el interruptor de encendido (A) en la posición ON (encendido).



5. Ponga el estrangulador en la posición OFF (apagado).
6. Tire de la empuñadura de la cuerda de arranque lentamente hasta que note resistencia.
7. Tire de la cuerda de arranque con fuerza y rapidez hasta que el motor arranque.

## Conexión de cargas eléctricas



**ADVERTENCIA:** No conecte cargas de 240 (230) V a tomas de 120 (110) V. No conecte cargas eléctricas trifásicas a un producto monofásico. No conecte cargas eléctricas de 50 Hz a un producto de 60 Hz.

1. Arranque el motor y déjelo calentar unos minutos. Consulte la sección *Arranque del producto en la página 84*.
2. Conecte e inicie las cargas eléctricas.
3. Asegúrese de que no haya sobrecarga del producto. Consulte la sección *Prevención de la sobrecarga del producto en la página 84*.

## Prevención de la sobrecarga del producto

La sobrecarga del producto puede causar daños en el producto y en los dispositivos eléctricos conectados. Siga los pasos que se indican a continuación para evitar la sobrecarga del producto.

- Sume la cantidad total de vatios de todos los dispositivos eléctricos que se van a conectar al mismo tiempo.



**PRECAUCIÓN:** El total de vatios no debe ser superior a la capacidad de vatios del producto.

- Los vatios nominales de las luces pueden consultarse en las bombillas. Los vatios nominales de las herramientas, el equipo y los motores se encuentran en una etiqueta en el dispositivo.
- Si no se especifica ninguna cantidad de vatios en el producto, la herramienta o el equipo, multiplique el valor de voltios (V) por el valor nominal de amperios (A).
- Conecte primero al producto siempre los dispositivos eléctricos con el valor de vatios de arranque más alto. A continuación, sume los vatios de todas las demás cargas eléctricas conectadas.

## Parada del producto

1. Pare y desconecte las cargas eléctricas de las tomas del panel de control.



**ADVERTENCIA:** No detenga el motor si las cargas eléctricas están activas y conectadas al producto.

2. Deje el motor en funcionamiento pero sin carga durante 30 segundos.
3. Poner el interruptor de encendido en la posición OFF (encendido).
4. Cierre el paso de combustible.

## Mantenimiento

### Introducción



**ADVERTENCIA:** Asegúrese de leer y comprender el capítulo sobre seguridad antes de realizar tareas de mantenimiento en el producto.

### Programa de mantenimiento

\* Limpie el producto con más frecuencia si se utiliza en un entorno con mucho polvo.

\*\* El mantenimiento debe llevarse a cabo en un taller de servicio autorizado.

Mantenimiento	Mantenimiento diario antes de la puesta en marcha	Intervalo de mantenimiento en horas				
		20 horas o cada mes	50 horas o cada 3 meses	100 horas o cada 6 meses	300 horas o 1 vez al año	Cada 2 años
Limpie el producto.	X					
Compruebe el nivel de aceite del motor.	X					
Compruebe el filtro de aire.	X					
Limpie el filtro de aire.	X					
Compruebe la cazoleta de sedimentos.	X					
Cambie el aceite del motor.		X*				
Limpie o sustituya el filtro de aire.			X*			
Compruebe y limpie la bujía.				X		
Compruebe el régimen de ralentí. Ajuste el régimen de ralentí si es necesario.					X**	
Compruebe la holgura de las válvulas. Ajuste la holgura de las válvulas si es necesario.					X**	
Limpie el depósito de combustible, el filtro de combustible y el carburador.					X**	
Limpie la cámara de combustión.					X**	

Mantenimiento	Mantenimiento diario antes de la puesta en marcha	Intervalo de mantenimiento en horas				
		20 horas o cada mes	50 horas o cada 3 meses	100 horas o cada 6 meses	300 horas o 1 vez al año	Cada 2 años
Sustituya los conductos de combustible si es necesario.						X**

## Limpeza del producto



**PRECAUCIÓN:** No utilice agua para limpiar el producto. El agua puede provocar daños en el producto.

- Utilice un paño húmedo para limpiar las superficies externas del producto.
- Utilice un cepillo suave para retirar la suciedad y el aceite.
- Utilice una aspiradora para retirar la suciedad y el material no deseado del producto.
- Utilice aire comprimido para retirar la suciedad de las ranuras de refrigeración y de otras aberturas del producto.



**PRECAUCIÓN:** La presión del aire comprimido no debe ser superior a 25 psi.

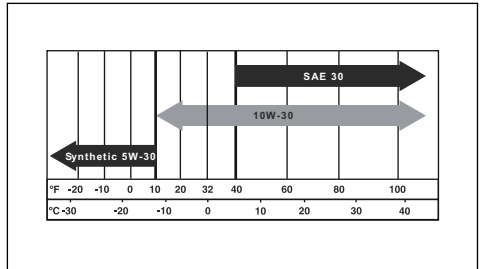
## Comprobación del nivel de aceite del motor



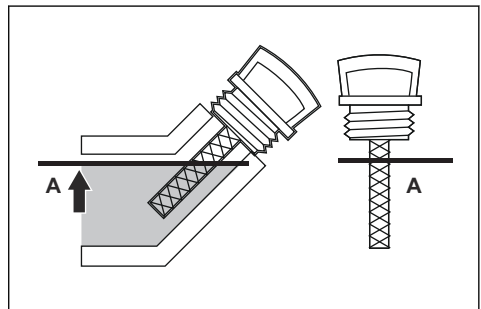
**PRECAUCIÓN:** No utilice el producto con un nivel bajo de aceite de motor. Esto puede provocar daños en el motor.



**PRECAUCIÓN:** Utilice aceite de motor de clase SJ, SL o superior del Instituto Americano del Petróleo (API [American Petroleum Institute]). No utilice aditivos especiales. Seleccione un grado de viscosidad que corresponda a la temperatura ambiente. Consulte la siguiente ilustración.



1. Detenga el producto por completo y asegúrese de que está en una superficie nivelada.
2. Limpie la zona alrededor del depósito de aceite.
3. Quite el tapón del depósito de aceite y la varilla de nivel.
4. Limpie el aceite de la varilla de nivel de aceite.
5. Vuelva a colocar la varilla de nivel totalmente en el interior del depósito de aceite.
6. Quite la varilla de nivel.
7. Compruebe el nivel de aceite de motor que indica la varilla de nivel.
8. Si el nivel de aceite de motor es bajo, llene con aceite de motor hasta que llegue a la marca (A) de la varilla de nivel. Consulte *Datos técnicos en la página 90* para conocer la capacidad del depósito de aceite.



9. Compruebe de nuevo el nivel de aceite de motor.
10. Coloque el tapón del depósito de aceite y la varilla de nivel.

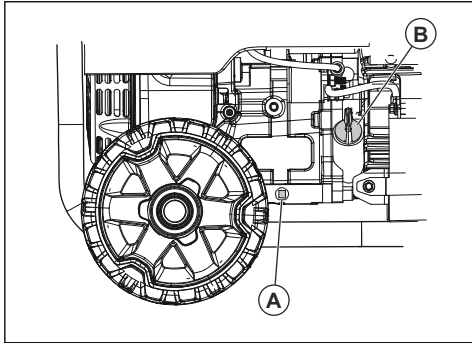
## Sustitución del aceite del motor

**Nota:** Drene el aceite de motor cuando el motor esté caliente. El aceite de motor caliente se drena más rápido.



**ADVERTENCIA:** El aceite del motor se calienta mucho y puede causar quemaduras graves. Deje que el motor se enfríe antes de vaciar el aceite del motor.

1. Limpie la zona alrededor del tapón de vaciado de aceite (A).



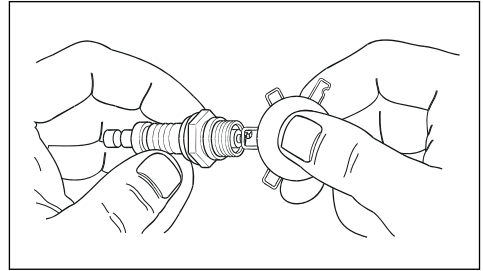
2. Coloque un recipiente de combustible adecuado debajo del orificio de drenaje.
3. Retire el tapón de vaciado de aceite y el tapón del depósito de aceite (B).
4. Vacíe el aceite de motor en el recipiente.
5. Coloque el tapón de vaciado de aceite y apriételo.
6. Reponga con aceite de motor. Consulte la sección *Comprobación del nivel de aceite del motor en la página 86*.
7. Limpie el aceite derramado.
8. Recicle el aceite de motor usado en un lugar autorizado para su eliminación.

## Cambio de la bujía

Cambie la bujía una vez al año.

1. Pare el motor.
2. Retire el sombrerete de bujía.
3. Limpie la zona alrededor de la bujía y quite la bujía del cilindro.

4. Ajuste la distancia entre los electrodos. Consulte la sección *Datos técnicos en la página 90*.



5. Instale una bujía nueva. Apriete a un par de 15 ft/lb.

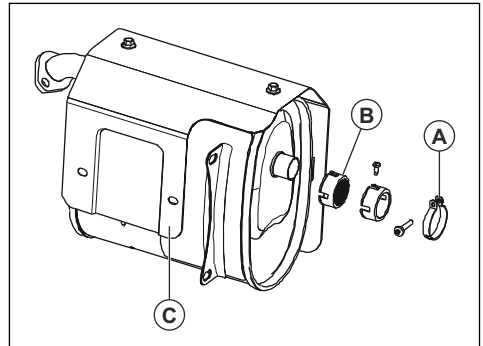
## Comprobación del apagachispas

Compruebe y limpie el apagachispas una vez al año o con más frecuencia si es necesario.



**ADVERTENCIA:** En algunas zonas y bajo ciertas condiciones, debe utilizar un apagachispas para evitar el riesgo de incendio. Cumpla con las normas locales.

1. Retire la abrazadera (A) y el apagachispas (B) del silenciador (C).



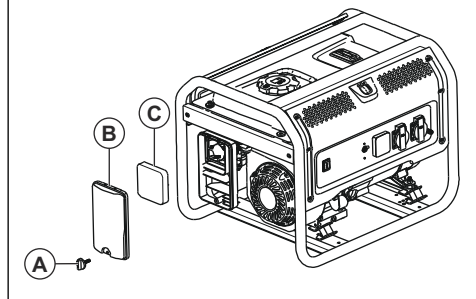
2. Limpie el apagachispas con disolvente comercial.
3. Examine el apagachispas en busca de desgaste y daños. Sustituya el apagachispas si es necesario.



**PRECAUCIÓN:** No emplee nunca un producto con un apagachispas defectuoso.

## Comprobación del filtro de aire

1. Retire la perilla (A) y la cubierta del filtro de aire (B).



2. Retire el filtro de aire (C).
3. Limpie el filtro de aire y su cubierta con agua jabonosa.
4. Deje secar el filtro de aire y su cubierta.
5. Instale el filtro de aire, la cubierta del filtro de aire y la perilla.

## Resolución de problemas

### Programa de resolución de problemas

Problema	Causa	Solución
El motor se detiene cuando tiene demasiada carga.	El filtro de aire no está limpio.	Limpie o sustituya el filtro de aire.
	El motor no está caliente.	Deje calentar el motor antes de ponerlo en marcha.
Fallo de arranque del motor.	La bujía está suelta.	Realice una comprobación de las conexiones de los cables.
	Distancia entre los electrodos incorrecta.	Sustituya el sombrerete de bujía.
	El sombrerete de bujía está dañado.	Sustituya el sombrerete de bujía.
	Gasolina caducada o de mala calidad.	Llene con combustible.
	Compresión incorrecta.	Ajuste la compresión.
El motor se detiene repentinamente.	El nivel de aceite de motor es bajo.	Reponga con aceite de motor.
	El depósito de combustible está vacío o tiene gasolina de baja calidad.	Llene con combustible.
	Tapón defectuoso del depósito de combustible.	Sustituya el tapón del depósito de combustible.
	Imán defectuoso.	Acuda a un centro de servicio autorizado.
	El sombrerete de bujía no está instalado correctamente.	Instale el sombrerete de bujía.



Problema	Causa	Solución
Se produce golpeteo en el motor.	Gasolina caducada o de mala calidad.	Llene con combustible.
	Sobrecarga del motor.	Consulte la sección <i>Prevención de la sobrecarga del producto en la página 84.</i>
	Problema mecánico.	Acuda a un centro de servicio autorizado.
El motor petardea.	Gasolina de baja calidad.	Llene con combustible.
	El motor está demasiado frío.	Utilice combustible para climas fríos y aditivos para el aceite.
	La válvula de admisión está bloqueada o el motor está demasiado caliente.	Acuda a un centro de servicio autorizado.
	El ajuste del encendido es incorrecto.	Compruebe el ajuste del encendido.
El producto no tiene potencia.	El producto no está conectado a la fuente de alimentación eléctrica.	Detenga el producto y desconéctelo. Conecte el producto y vuelva a arrancarlo.
	Un disyuntor se ha disparado.	Detenga el producto y desconéctelo. Reinicie el disyuntor. Conecte el producto y vuelva a arrancarlo.
	La toma está ocupada.	Detenga el producto y desconéctelo. Realice una prueba de la toma. Si la toma no está dañada, inicie y vuelva a conectar el producto.
	Es necesario realizar el mantenimiento.	Acuda a un centro de servicio autorizado.
El producto no funciona correctamente.	Problema con un dispositivo eléctrico.	Desconecte el dispositivo eléctrico. Acuda a un centro de servicio autorizado.
	Hay demasiada carga en el producto.	Reduzca la cantidad de dispositivos eléctricos conectados al producto.



**PRECAUCIÓN:** Si el problema persiste, póngase en contacto con un taller de servicio autorizado.

## Preparación del producto para un almacenamiento prolongado

Siga los pasos que se indican a continuación si el producto va a estar guardado durante más de 30 días. El siguiente procedimiento evita problemas con el sistema de combustible.

- Añada un estabilizador de combustible al combustible. El estabilizador de combustible debe coincidir con las recomendaciones del fabricante.
- Ponga el producto en funcionamiento durante 10-15 minutos.

- Deje que el motor se enfríe y vacíe el depósito de combustible.



**PRECAUCIÓN:** No almacene el combustible a largo plazo. Deseche la gasolina que no esté limpia.

- Arranque el motor y déjelo funcionar hasta que se haya consumido todo el combustible y el producto se detenga.

5. Deje que el motor se enfríe y cambie el aceite de motor.
6. Quite el sombrerete de bujía y vierta 15 ml (½ onza) de aceite de motor en el cilindro.
7. Coloque un paño en el agujero de la bujía para protegerla.
8. Tire de la empuñadura de la cuerda de arranque 5 veces para lubricar las piezas del motor.
9. Coloque y apriete la bujía.
10. Limpie el producto.
11. Coloque el producto en un lugar limpio y seco en el interior.
12. Coloque una cubierta en el producto para su protección.



**ADVERTENCIA:** No ponga el sombrerete de bujía.



**ADVERTENCIA:** No coloque la cubierta sobre el producto si está caliente.

## Datos técnicos

### Datos técnicos

	Husqvarna G1300P	Husqvarna G1300P	Husqvarna G2500P	Husqvarna G2500P	Husqvarna G3200P
Cilindrada del motor, cc	98,5	98,5	196	196	212
Potencia máxima, W <sup>9</sup>	1000	1200	2200	2800	3000
Potencia nominal, W	800	1000	2000	2500	2800
Tensión, V	230	110/220; 120/240	230	110/220; 120/240	230
Frecuencia nominal, Hz	50	60	50	60	50
Fase	1	1	1	1	1
Peso neto, kg	28,0	28,0	43,0	43,0	49,0
Peso bruto, kg	29,2	29,2	45,0	45,0	51,0
Tamaño del embalaje, mm	500 x 375 x 435	500 x 375 x 435	500 x 375 x 435	500 x 375 x 435	625 x 495 x 495
Capacidad del depósito de aceite, litros	0,45	0,45	0,6	0,6	0,6
Distancia entre los electrodos, mm/pulg.	0,76/0,030	0,76/0,030	0,76/0,030	0,76/0,030	0,76/0,030
Tipo	Gasolina	Gasolina	Gasolina	Gasolina	Gasolina

<sup>9</sup> La potencia máxima (en vatios) depende de factores como el contenido de energía del combustible, la temperatura ambiente, la altitud o el estado del motor. Además, la potencia máxima se reduce en aproximadamente un 3,5 % por cada 305 m (1000 pies) de elevación sobre el nivel del mar y también un 1 % por cada 6 °C (10 °F) por encima de una temperatura ambiente de 16 °C (60 °F).

	Husqvarna G1300P	Husqvarna G1300P	Husqvarna G2500P	Husqvarna G2500P	Husqvarna G3200P
Nivel de potencia de sonido medido, dB(A)			95	95	96
Nivel de potencia de sonido garantizado, dB(A)			95	95	96

	Husqvarna G3200P	Husqvarna G5500P	Husqvarna G5500P	Husqvarna G8500P	Husqvarna G8500P
Cilindrada del motor, cc	212	389	389	458	458
Potencia máxima, W <sup>10</sup>	3200	5500	6000	8000	8500
Potencia nominal, W	3000	5000	5500	7500	8000
Tensión, V	110/220; 120/240	230	110/220; 120/240	230	110/220; 120/240
Frecuencia nominal, Hz	60	50	60	50	60
Fase	1	1	1	1	1
Peso neto, kg	49,0	88,0	88,0	106,4	106,4
Peso bruto, kg	51,0	91,0	91,0	109,5	109,5
Tamaño del embalaje, mm	625 x 495 x 495	720 x 560 x 585	720 x 560 x 585	720 x 560 x 585	720 x 560 x 585
Capacidad del depósito de aceite, litros	0,6	1,1	1,1	1,1	1,1
Distancia entre los electrodos, mm/pulg.	0,76/0,030	0,76/0,030	0,76/0,030	0,76/0,030	0,76/0,030
Tipo	Gasolina	Gasolina	Gasolina	Gasolina	Gasolina
Nivel de potencia de sonido medido, dB(A)	96				
Nivel de potencia de sonido garantizado, dB(A)	96				

<sup>10</sup> La potencia máxima (en vatios) depende de factores como el contenido de energía del combustible, la temperatura ambiente, la altitud o el estado del motor. Además, la potencia máxima se reduce en aproximadamente un 3,5 % por cada 305 m (1000 pies) de elevación sobre el nivel del mar y también un 1 % por cada 6 °C (10 °F) por encima de una temperatura ambiente de 16 °C (60 °F).

## Guía de referencia de vatios

**Nota:** Todos los números son aproximados. Consulte la etiqueta de datos del aparato para conocer los requisitos de vataje.

Dispositivo	Funcionamiento, W	Arranque adicional, W
<b>Emergencia</b>		
Frigorífico/congelador	700	1500
Radio	100	0
<b>Obra</b>		
Compresor de aire: 0,5 CV	1000	1000
Sierra de mesa: 25 cm (10")	1700	1300
Lijadora de banda: 7,6 cm (3")	1200	1200
Taladro manual, 12,7 mm (½")	600	600
Luz de trabajo halógena	1000	0
Sierra con movimiento alternativo	900	900
<b>Ocio</b>		
Radio AM/FM	100	0
Parrilla eléctrica	1700	0
Bomba de inflado 50	100	-
Reproductor de CD/DVD	100	0
Ventilador portátil: 50 cm (20")	200	200
Cafetera	600	0
<b>Electrodomésticos</b>		
Ordenador con monitor	800	0
Secadora eléctrica	5500	500
Productos eléctricos	2100	0
Caldera eléctrica	2000	0
Bombilla: 100 W	100	0
Microondas: 1000 W	1000	200
Bomba de sumidero: 0,5 CV	1000	1100
Televisor	400	0
Lavadora	1100	1100
Bomba de pozo: 0,5 CV	1000	1000
<b>Césped y jardín</b>		
Cortasetos	400	400

<b>Dispositivo</b>	<b>Funcionamiento, W</b>	<b>Arranque adicional, W</b>
Hidrolimpiadora	1200	1200
Cortacésped	1200	1200
Rebordeadora	1000	1000
<b>Calefacción y refrigeración</b>		
Aire acondicionado central: 10 000 BTU	1500	1500
Ventilador de caldera: 0,5 CV	900	1400
Calefactor	1800	0
Aire acondicionado de ventana: 10 000 BTU	1200	600

---

# Declaración de conformidad CE

---

## Declaración de conformidad CE

Para la siguiente maquinaria:

- Nombre de producto: Generador portátil
- Función: Conjunto generador de baja potencia
- Nº de modelo: G 2500P, G 3200P
- Nº de serie: 1945013770, 1945013793 y posteriores

**Por la presente se confirma que cumple todas las disposiciones pertinentes de la**

- Directiva relativa a las máquinas (2006/42/CE)
- Directiva de baja tensión (2014/35/UE)
- Directiva de restricción de sustancias peligrosas (RoHS) (2011/65/UE)
- Directiva sobre compatibilidad electromagnética (2014/30/UE)
- Directiva de emisiones de ruido por máquinas de uso al aire libre (2000/14/CE + 2005/88/CE)

**y que cumple con las normas armonizadas indicadas a continuación:**

- EN ISO 8528-13:2016, EN 61000-6-1:2007; EN 55012:2007+A1

**Procedimiento de evaluación de conformidad: 2000/14/CE y enmiendas de 2005/88/CE, Anexo VI**

TÜV Rheinland LGA Products GmbH, organismo notificado para la Directiva relativa a las máquinas (notificado bajo el código 0197), Tillystraße 2 - 90431 Nürnberg, Alemania, llevó a cabo la certificación sobre ruido. Para obtener información respecto a las emisiones sonoras, consulte *Datos técnicos en la página 90*.

Husqvarna, 10/06/2020



Claes Losdal, Director de desarrollo/productos para el jardín (representante autorizado de Husqvarna AB y responsable de la documentación técnica).

---

## Sommaire

---

Introduction.....	95	Entretien.....	104
Sécurité.....	98	Dépannage.....	107
Montage.....	101	Pour préparer votre produit pour un entreposage à long terme.....	109
Installation.....	102	Caractéristiques techniques.....	109
Utilisation.....	103	Déclaration de conformité CE.....	113

---

## Introduction

---

### Description du produit

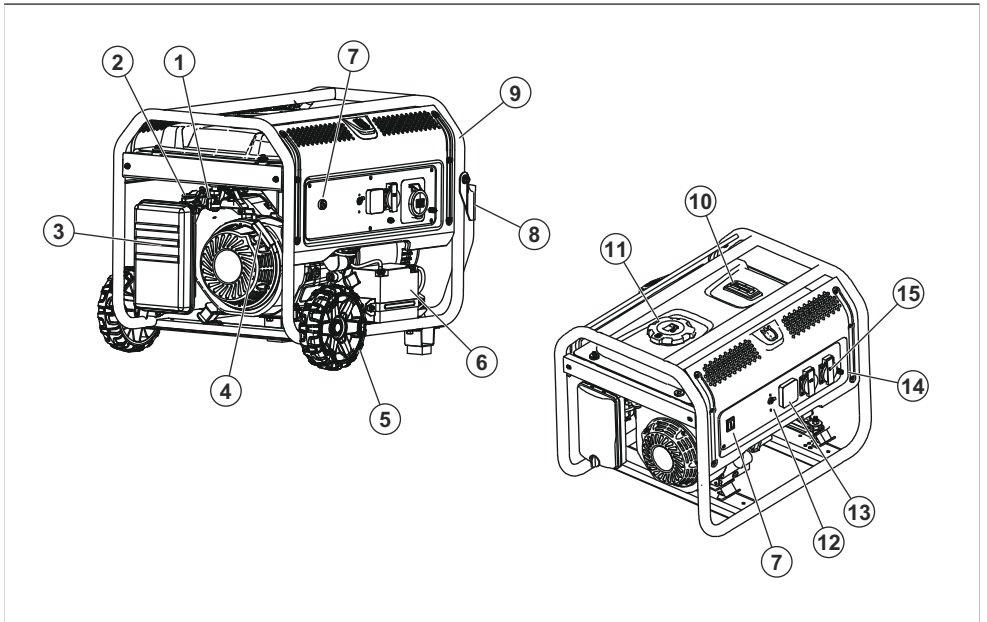
Ce produit est un groupe électrogène portable équipé d'un moteur à combustion.

des endroits où aucune alimentation électrique n'est disponible. N'utilisez pas ce produit pour d'autres travaux.

### Utilisation prévue

Le produit fournit une alimentation électrique permettant de faire fonctionner des appareils électrique dans

### Aperçu du produit



- |                                  |  |
|----------------------------------|--|
| 1. Valve de carburant            | 8. Poignée   |
| 2. Starter                       | 9. Cadre   |
| 3. Filtre à air                  | 10. Jauge de carburant   |
| 4. Poignée du câble du démarreur | 11. Bouchon du réservoir d'essence   |
| 5. Roue                          | 12. Disjoncteurs CA  |
| 6. Batterie                      | 13. Appareil de mesure numérique : indique la tension,<br>la fréquence et la durée lors de l'opération |
| 7. Interrupteur                  |  |

- 14. Borne de terre
- 15. Prise secteur

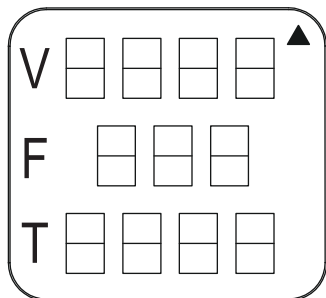
## Borne 12 V CC

La borne 12 VCC est une source d'alimentation pour les unités 12 V CC.



## Appareil de mesure numérique : indique la tension, la fréquence et la durée lors de l'opération

Le multimètre VFT indique la tension, la fréquence et le temps de fonctionnement total du produit.



## Prises secteur

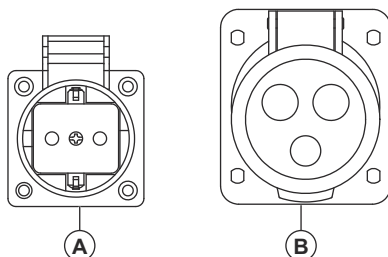
Le produit est doté de plusieurs prises secteur permettant d'alimenter les outils et l'équipement. Les

prises secteur sont différentes sur les différents marchés.

UE, monophasée, 50 Hz

A : Prise 230 V à 2 trous.

B : Prise 230 V 32 A à 3 trous.

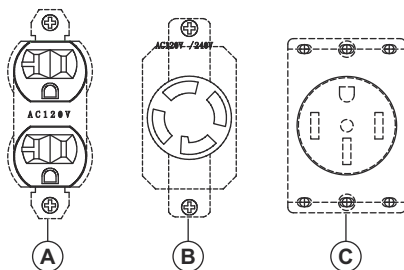


US, monophasée, 60 Hz

A : Prise double 120 V à 3 trous.

B : Prise verrouillable 120/240 V 30 A à 4 trous.

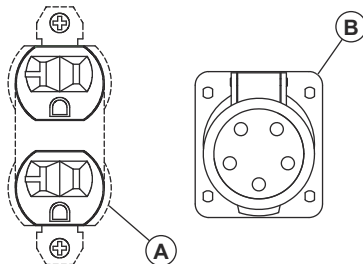
C : Prise 120/240 V 50 A à 4 trous.



US, triphasée, 60 Hz

A : Prise double 110 V à 3 trous.

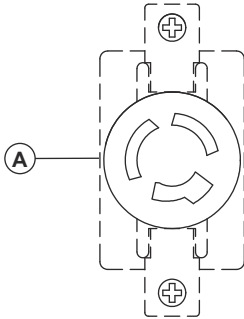
B : Prise triphasée 127/220 V à 5 trous.





CN, monophasée, 50 Hz

A : Prise verrouillable 230 V à 3 trous.



## Symboles concernant le produit



AVERTISSEMENT ! Soyez prudent et utilisez le produit correctement. Ce produit peut causer des blessures graves, voire mortelles, à l'opérateur ou à d'autres personnes.



Lisez attentivement et assimilez le manuel de l'opérateur avant d'utiliser ce produit.



Risque d'incendie ou d'explosion.



Risque d'empoisonnement au monoxyde de carbone. N'utilisez pas le produit dans des zones mal ventilées.



Risque de choc électrique.



risque de brûlure.



Ajoutez de l'huile.



Ajoutez du carburant.



Ouvrez le robinet à carburant.



Réglez l'interrupteur d'alimentation en position ON (marche).



Placez le starter en position OFF (arrêt).



Placez le starter en position ON (marche).



Tirez la poignée du câble du démarreur.



Branchez les récepteurs électriques.



Débranchez les récepteurs électriques.



Fermez le robinet de carburant.



Émissions sonores dans l'environnement selon la directive européenne 2000/14/CE et la législation de la Nouvelle-Galles du Sud « Protection of the Environment Operations (Noise Control) Regulation 2017 ». L'étiquette de la machine et le chapitre Caractéristiques techniques contiennent des données sur les émissions sonores.



N'utilisez pas le produit en intérieur.



Utilisez le produit en extérieur. Tenez le produit à l'écart des fenêtres, des portes ou des événements.



Placez le starter en position ON (marche) et attendez 50 secondes.



Placez le starter en position OFF (arrêt) et attendez 50 secondes.



Attendez 30 secondes et placez l'interrupteur d'alimentation en position OFF (arrêt).

## Plaque d'identification

	Prod. year 0000
Product	<input type="text"/>
Serial No.	<input type="text"/>
Article No.	<input type="text"/>
Model	<input type="text"/>
Weight	<input type="text"/>
Rated current	<input type="text"/>
Max Power	<input type="text"/>
COP Power	<input type="text"/>
Voltage	<input type="text"/>
Rated Frequency	<input type="text"/>
Power factor	<input type="text"/>
Performance class	<input type="text"/>
Quality class	<input type="text"/>
Protection class	<input type="text"/>
Husqvarna AB SE-561 82 Huskvarna Sweden	Low-power generating set

## Sécurité

### Définitions de sécurité

Des avertissements, des recommandations et des remarques sont utilisés pour souligner des parties spécialement importantes du manuel.



**AVERTISSEMENT:** Symbole utilisé en cas de risque de blessures ou de mort pour l'opérateur ou les personnes à proximité si les instructions du manuel ne sont pas respectées.



**REMARQUE:** Symbole utilisé en cas de risque de dommages pour le produit, d'autres matériaux ou les environs si les instructions du manuel ne sont pas respectées.

**Remarque:** Symbole utilisé pour donner des informations supplémentaires pour une situation donnée.

### Instructions générales de sécurité



**AVERTISSEMENT:** Lisez et assurez-vous de bien comprendre les instructions de sécurité qui suivent avant d'utiliser le produit.

- Lisez et assurez-vous de bien comprendre le manuel de l'opérateur et les autocollants de sécurité apposés sur le produit avant toute utilisation. Votre sécurité et la sécurité d'autrui sont votre responsabilité.
- Respectez les instructions de ce manuel de l'opérateur.
- Il est impossible de couvrir toutes les situations dangereuses pouvant survenir lors de l'utilisation et de l'entretien de ce produit. Soyez toujours prudent et utilisez votre bon sens.

### Sécurité carburant



**AVERTISSEMENT:** assurez-vous de lire et de comprendre les instructions qui suivent avant d'utiliser le produit.

- L'essence est très inflammable et ses vapeurs sont explosives. Ne fumez pas, et n'utilisez pas de flammes nues, d'étincelles ou de chaleur à proximité lors de la manipulation d'essence.
- N'ajoutez jamais de carburant lorsque le produit est en marche ou chaud. Laissez le moteur refroidir complètement avant d'ajouter du carburant.
- Ne remplissez jamais le réservoir de carburant à l'intérieur.
- Respectez toutes les lois réglementant l'entreposage et la manipulation de l'essence.
- Ne remplissez pas excessivement le réservoir de carburant. Laissez toujours de la place pour l'expansion du carburant. Si le réservoir de carburant est trop rempli, le carburant peut déborder sur un moteur chaud et provoquer un incendie ou une explosion.
- N'entrez jamais le produit avec du carburant dans le réservoir de carburant car les vapeurs du carburant peuvent entrer en contact avec des flammes nues, des étincelles ou une flamme pilote (comme sur un four, un chauffe-eau ou un sèche-linge). Cela pourrait provoquer un incendie ou une explosion. Laissez le produit refroidir avant de le remettre.
- Essuyez immédiatement tout déversement de carburant ou d'huile. Assurez-vous qu'aucun matériau combustible n'est laissé sur ou à proximité du produit. Veillez à ce que la zone entourant le produit soit propre et exempte de débris. Laissez un espace de 5 pieds (1,5 m) de chaque côté pour permettre une bonne ventilation du produit.
- N'utilisez pas le produit en cas de surchauffe d'un appareil électrique connecté, de perte de sortie électrique ou si des flammes ou de la fumée sont observées pendant le fonctionnement du produit.
- Gardez un extincteur à proximité du produit.
- Évitez de répandre du carburant sur un moteur chaud.
- Ne fumez pas et n'allumez pas de cigarettes près du produit ou du carburant.
- Vidangez le carburant dans un récipient homologué à l'extérieur et loin de toute flamme nue. Assurez-vous que le moteur est froid.

## Sécurité relative aux gaz d'échappement



**AVERTISSEMENT:** assurez-vous de lire et de comprendre les instructions qui suivent avant d'utiliser le produit.

- N'utilisez jamais le produit dans un endroit clos ou à l'intérieur ! N'utilisez jamais le produit à la maison, dans un véhicule ou dans des zones partiellement fermées telles que des garages, même si les portes et les fenêtres sont ouvertes ! Utilisez uniquement le produit à l'extérieur et à l'écart des fenêtres,

portes, événements et dans une zone qui ne risque pas d'accumuler des gaz d'échappement dangereux.

- Les gaz d'échappement du moteur contiennent du monoxyde de carbone invisible et inodore. Ce gaz toxique, s'il est respiré à des concentrations suffisantes, peut entraîner une perte de conscience, voire la mort.
- Un flux d'air de refroidissement et de ventilation adéquat et non obstrué est essentiel au bon fonctionnement du produit. Ne modifiez pas l'installation et ne permettez pas un blocage même partiel des dispositions de ventilation. Cela peut sérieusement compromettre le fonctionnement en toute sécurité du produit. Le produit doit être utilisé à l'extérieur.
- Utilisez toujours un détecteur de monoxyde de carbone à piles à l'intérieur, installé conformément aux instructions du fabricant.
- Si vous commencez à vous sentir mal, tournoyant ou faible après le fonctionnement du produit, sortez immédiatement à l'air frais. Consultez un médecin, car vous pourriez souffrir d'une intoxication au monoxyde de carbone.

## Sécurité électrique



**AVERTISSEMENT:** assurez-vous de lire et de comprendre les instructions qui suivent avant d'utiliser le produit.

- Le produit génère une tension dangereusement élevée lorsqu'il fonctionne. Évitez tout contact avec des fils, des bornes, des connexions, etc. nus pendant que le produit fonctionne, même sur un équipement connecté au produit. Assurez-vous que tous les capots, protections et barrières appropriés sont installés correctement avant d'utiliser le produit.
- Ne manipulez jamais aucun type de cordon ou d'appareil électrique lorsque vous vous tenez dans l'eau, pieds nus ou mains ou pieds mouillés. Un choc électrique dangereux peut se produire.
- Certains pays peuvent exiger que le cadre et les pièces externes conductrices d'électricité du produit soient correctement connectés à une mise à la terre approuvée. Certains pays peuvent également exiger une mise à la terre correcte du produit. Consultez un électricien local pour connaître les exigences de mise à la terre dans la région.
- Utilisez un disjoncteur de fuite à la terre (GFCI) dans une zone humide ou hautement conductrice (comme un revêtement métallique ou un travail en acier).
- N'utilisez pas de cordons électriques usés, nus, effilochés ou autrement endommagés avec le produit.
- En cas d'accident causé par un choc électrique, coupez immédiatement la source d'alimentation électrique. Si cela n'est pas possible, essayez de libérer la victime du conducteur sous tension. Évitez tout contact avec la victime. Utilisez un outil non conducteur, tel qu'une corde ou une

planche, pour libérer la victime du conducteur sous tension. Si la victime est inconsciente, appliquez les premiers soins et obtenez immédiatement des soins médicaux.

## Instructions de sécurité pour le fonctionnement



**AVERTISSEMENT:** assurez-vous de lire et de comprendre les instructions qui suivent avant d'utiliser le produit.

- N'utilisez le produit que sur des surfaces planes et dans des endroits où il ne sera pas exposé à une humidité excessive, à la saleté, à la poussière ou à des vapeurs corrosives.
- Tenez vos mains, pieds, vêtements, etc. à l'écart des courroies d'entraînement, des ventilateurs et d'autres pièces mobiles. Ne retirez jamais la protection du ventilateur pendant le fonctionnement de l'unité.
- Certaines pièces du groupe électrogène deviennent extrêmement chaudes pendant le fonctionnement. Tenez-vous à l'écart du groupe électrogène jusqu'à ce qu'il ait refroidi afin d'éviter des brûlures graves.
- N'utilisez pas l'appareil sous la pluie.
- Ne modifiez pas la construction du produit et ne modifiez pas les commandes. Cela pourrait créer une condition de fonctionnement dangereuse.
- Ne démarrez ou n'arrêtez jamais le produit lorsque des récepteurs électriques sont branchés à des prises et que les appareils connectés sont sous tension. Démarrez le moteur et laissez-le se stabiliser avant de brancher les récepteurs électriques. Débranchez tous les récepteurs électriques avant d'arrêter le groupe électrogène.
- N'insérez pas d'objets dans les fentes de refroidissement du produit, même si le moteur ne tourne pas.
- Lorsque vous travaillez avec cet équipement, restez vigilant en permanence. Ne travaillez jamais avec cet équipement lorsque vous êtes physiquement ou mentalement fatigué.
- N'utilisez jamais le produit ou l'une de ses pièces comme une marche. Le fait de monter sur le produit peut provoquer une pression sur les pièces ou leur rupture, et peut entraîner des conditions de fonctionnement dangereuses en raison de fuites de gaz d'échappement, de fuites de carburant, de fuites d'huile, etc.
- Assurez-vous d'avoir connaissance de toutes les commandes et des réglages avant toute utilisation.
- Ne surchargez pas le produit. De plus, ne surchargez pas les prises secteur individuelles du panneau. Ces prises sont protégées contre les surcharges par des disjoncteurs. Si l'intensité nominale d'un disjoncteur est dépassée, ce disjoncteur se coupe et la sortie électrique vers cette prise est perdue.

- Ne démarrez ou n'arrêtez jamais le moteur lorsque des appareils électriques sont branchés sur les prises et que les appareils sont allumés.

## Dispositifs de sécurité sur le produit

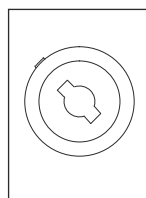
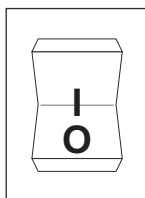


**AVERTISSEMENT:** Lisez les instructions qui suivent avant d'utiliser le produit.

- N'utilisez pas un produit avec des dispositifs de sécurité défectueux.
- Contrôlez les dispositifs de sécurité régulièrement. Si les dispositifs de sécurité sont défectueux, parlez-en à votre agent d'entretien Husqvarna.

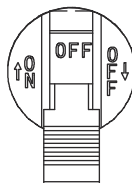
## Interrupteur

Utilisez l'interrupteur pour démarrer et arrêter le moteur.



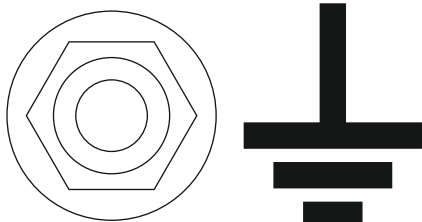
## Disjoncteurs

Les disjoncteurs empêchent une surcharge dans le produit. Des informations sur la valeur nominale du disjoncteur sont indiquées près du disjoncteur.



## Borne de terre

La borne de terre permet de s'assurer que le produit est correctement mis à la terre. Avant chaque opération, un fil de terre doit être connecté à la borne de terre.



## Instructions de sécurité pour l'entretien



**AVERTISSEMENT:** Lisez et assurez-vous de bien comprendre les instructions de sécurité qui suivent avant d'effectuer l'entretien du produit.

- Pour des raisons de sécurité, le fabricant recommande que l'entretien de cet équipement soit effectué par un concessionnaire agréé. Inspectez régulièrement le groupe électrogène et contactez le revendeur agréé le plus proche concernant les pièces à réparer ou à remplacer.
- Ce produit est équipé d'un silencieux doté d'un pare-étincelles. Le propriétaire/opérateur doit maintenir le pare-étincelles en bon état de fonctionnement.

- Le système d'échappement doit être correctement entretenu. Ne faites rien qui pourrait rendre le système d'échappement dangereux ou non conforme aux normes et codes locaux.
- Avant de procéder à l'entretien du produit, débranchez la batterie de démarrage du moteur (le cas échéant) afin d'éviter tout démarrage accidentel. Débranchez d'abord le câble de la borne de la batterie indiquée par un signe négatif, NEG ou (-). Rebranchez ce câble en dernier.
- Toute tentative de démarrage du moteur avant qu'il ait été correctement entretenu avec l'huile recommandée peut entraîner une défaillance du moteur.
- Lorsque vous travaillez sur le produit, retirez toujours le capuchon de bougie de la bougie et maintenez le capuchon de bougie à l'écart de la bougie.
- L'huile chaude peut provoquer des brûlures. Laissez le moteur refroidir avant d'effectuer la vidange. Évitez toute exposition prolongée ou répétée à de l'huile usagée. Lavez soigneusement les zones exposées avec du savon.
- La garantie de ce produit ne couvre pas les pièces qui ont été soumises à un mauvais usage ou une négligence de la part de l'utilisateur. Pour bénéficier de la pleine valeur de la garantie, l'utilisateur doit entretenir le produit conformément aux instructions de ce manuel.

## Montage

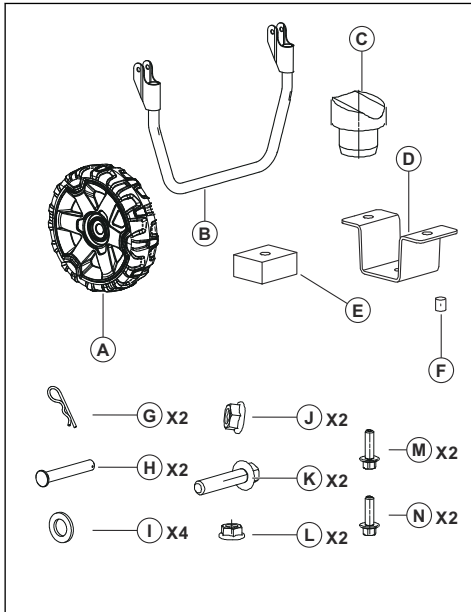
### Introduction



**AVERTISSEMENT:** Assurez-vous de lire et de comprendre le chapitre dédié à la sécurité avant de monter l'appareil.

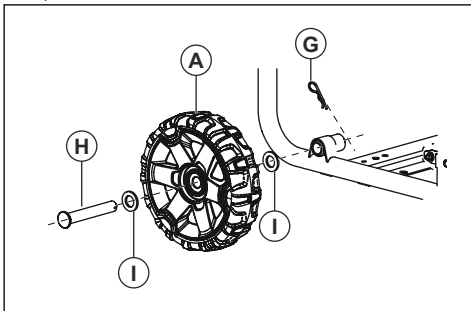
## Pour monter le kit d'accessoires (G5500P, G8500P)

1. Découvrez les pièces du kit d'accessoires.

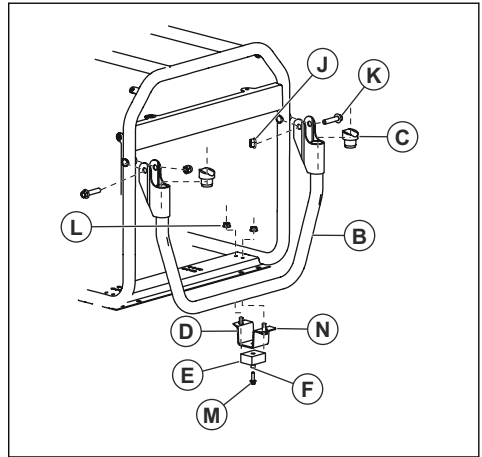


2. Montez le kit d'accessoires. Reportez-vous aux illustrations.

a) Bloc de roue :



b) Ensemble de poignée :



## Installation

### Introduction



**AVERTISSEMENT:** assurez-vous de lire et de comprendre le chapitre dédié à la sécurité avant d'installer le produit.

### Pour effectuer la mise à la terre du produit



**AVERTISSEMENT:** Le produit doit être mis à la terre par une personne ayant une bonne expérience et une bonne connaissance dans le domaine de l'électricité. Dans certaines zones,

un électricien agréé doit procéder à l'installation. Respectez les réglementations locales.

1. Posez une tige de mise à la terre à au moins 24 po dans le sol.



**AVERTISSEMENT:** La tige de mise à la terre doit être en laiton ou en cuivre.

2. Connectez un fil de mise à la terre de 2,5 mm<sup>2</sup> entre la borne de terre du panneau de commande et une tige de mise à la terre.

**Remarque:** Le fil de mise à la terre et la tige de mise à la terre ne sont pas fournis avec le produit.

## Pour connecter le produit au système électrique d'un bâtiment



**AVERTISSEMENT:** Le produit doit être mis à la terre par une personne ayant une bonne expérience et une bonne connaissance dans le domaine de l'électricité. Dans certaines zones, un électricien agréé doit procéder à l'installation. Respectez les réglementations locales.

- Utilisez uniquement des prises, des bouchons et un câble homologués standard lorsque vous connectez le produit à un système électrique.
- Assurez-vous d'effectuer la procédure conformément à toutes les réglementations nationales et locales.

## Utilisation

### Introduction



**AVERTISSEMENT:** Assurez-vous de lire et de comprendre le chapitre dédié à la sécurité avant d'utiliser l'appareil.

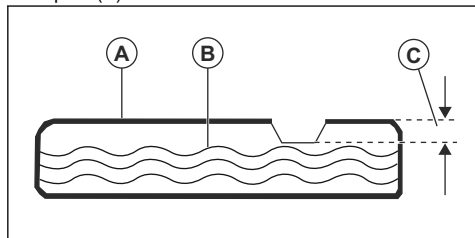
### Pour remplir le réservoir de carburant

Utilisez de l'essence sans plomb. N'utilisez pas d'essence avec une concentration d'éthanol supérieure à 10 % et n'utilisez pas d'essence E85.



**REMARQUE:** Ne mélangez pas l'essence à l'huile.

1. Arrêtez le moteur et laissez le produit refroidir. Reportez-vous à la section *Pour arrêter le produit à la page 104*.
2. Assurez-vous que le produit est placé sur une surface plane et dans un lieu bien ventilé.
3. Retirez le bouchon du réservoir de carburant.
4. Remplissez le réservoir de carburant (A) avec précaution. Remplissez de carburant (B) jusqu'au repère (C).



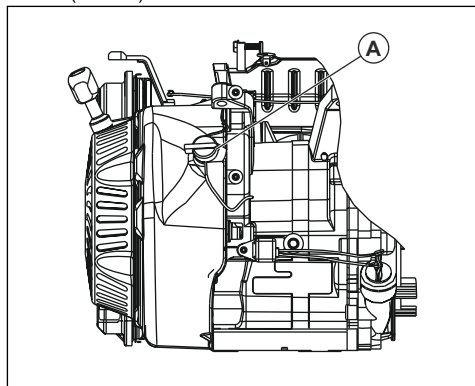
5. Nettoyez le produit de tout déversement de carburant.



**REMARQUE:** Tout carburant renversé présente un risque d'incendie et nuit à l'environnement.

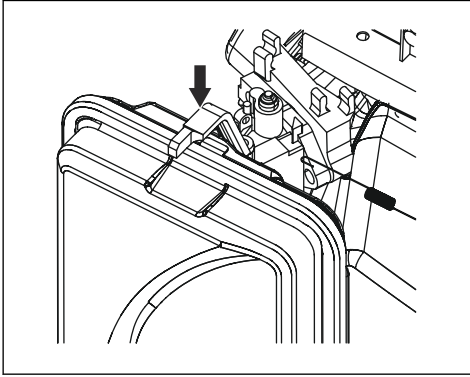
### Pour démarrer le produit

1. Débranchez tous les récepteurs électriques des prises du tableau de commande.
2. Assurez-vous que le produit est placé sur une surface plane.
3. Ouvrir le robinet à carburant.
4. Réglez l'interrupteur d'alimentation (A) en position ON (marche).



5. Placez le starter en position OFF (arrêt).
6. Tirez lentement la poignée du câble du démarreur jusqu'à ressentir une résistance.
7. Tirez la poignée du câble du démarreur rapidement et avec force jusqu'à ce que le moteur démarre.
8. Pour le démarrage électrique, procédez comme suit.

- a) Appuyez sans relâcher sur la clé ON/OFF/START (marche/arrêt/démarrage) en position de démarrage.
  - b) Lorsque le moteur démarre, placez la clé ON/OFF/START (marche/arrêt/démarrage) en position ON (marche).
9. Déplacez le starter d'une ½ position.
  10. Lorsque le moteur tourne sans à-coups, placez le starter en position ON (marche).



**Remarque:** Pour le modèle G1300P, les positions ON et OFF du starter sont aux positions opposées.

## Pour brancher les récepteurs électriques



**AVERTISSEMENT:** Ne branchez pas de prises 240 (230) V à 120 (110) V. Ne connectez pas de récepteurs électriques triphasés à un produit monophasé. Ne connectez pas de récepteurs électriques de 50 Hz à un produit de 60 Hz.

1. Démarrez le moteur et laissez-le chauffer quelques minutes. Reportez-vous à la section *Pour démarrer le produit à la page 103*.

2. Branchez et démarrez les récepteurs électriques.
3. Assurez-vous qu'il n'y a pas de surcharge dans le produit. Reportez-vous à la section *Pour éviter toute surcharge du produit à la page 104*.

## Pour éviter toute surcharge du produit

Une surcharge dans le produit peut endommager le produit et les appareils électriques connectés. Procédez comme suit pour éviter toute surcharge du produit.

- Additionnez la puissance (W) totale de tous les appareils électriques à connecter en même temps.



**REMARQUE:** La puissance (W) totale ne doit pas être supérieure à la capacité du produit.

- La puissance (W) nominale des feux est indiquée sur les ampoules. La puissance (W) nominale des outils, équipements et moteurs est indiquée sur un autocollant apposé sur l'appareil.
- Si aucune puissance n'est spécifiée sur le produit, l'outil ou l'équipement, multipliez la tension V par l'intensité nominale A.
- Branchez toujours les appareils électriques dont la puissance (W) de démarrage est la plus élevée en premier. Ajoutez ensuite la puissance (W) de tous les autres récepteurs électriques connectés.

## Pour arrêter le produit

1. Arrêtez et débranchez les récepteurs électriques des prises du tableau de commande.



**AVERTISSEMENT:** N'arrêtez pas le moteur si les récepteurs électriques sont en fonctionnement et connectés au produit.

2. Laissez le moteur tourner sans récepteur pendant 30 secondes.
3. Réglez l'interrupteur d'alimentation en position OFF (arrêt).
4. Fermez le robinet de carburant.

# Entretien

## Introduction



**AVERTISSEMENT:** assurez-vous de lire et de comprendre le chapitre sur la sécurité avant de procéder à l'entretien du produit.

## Calendrier d'entretien

\* Si vous utilisez le produit dans des conditions de poussière importante, nettoyez-le plus régulièrement.

\*\* Toutes les tâches d'entretien doivent être effectuées par un atelier d'entretien agréé.



Entretien	Entretien quotidien avant utilisation	Intervalle d'entretien en heures				
		Toutes les 20 heures ou tous les mois	Toutes les 50 heures ou tous les 3 mois	Toutes les 100 heures ou tous les 6 mois	Toutes les 300 heures ou 1 fois par an	Tous les 2 ans
Nettoyez le produit.	X					
Contrôlez le niveau d'huile moteur.	X					
Effectuez un contrôle du filtre à air.	X					
Nettoyez le filtre à air.	X					
Contrôlez la coupelle à dépôts.	X					
Changez l'huile moteur.		X*				
Nettoyez ou remplacez le filtre à air.			X*			
Contrôlez et nettoyez la bougie d'allumage.				X		
Contrôlez le régime de ralenti. Réglez le régime de ralenti si nécessaire.					X**	
Contrôlez le jeu des soupapes. Réglez le jeu des soupapes si nécessaire.					X**	
Nettoyez le réservoir de carburant, la crépine de carburant et le carburateur.					X**	
Nettoyez la chambre de combustion.					X**	
Remplacez les conduites de carburant si nécessaire.						X**

## Nettoyage du produit



**REMARQUE:** N'utilisez pas d'eau pour nettoyer le produit. L'eau peut endommager le produit.

- Utilisez un chiffon humide pour nettoyer les surfaces externes du produit.
- Utilisez une brosse douce pour éliminer la saleté et l'huile.
- Utilisez un aspirateur pour retirer la saleté et les matériaux indésirables du produit.
- Utilisez de l'air comprimé pour retirer la saleté des fentes de refroidissement et des autres ouvertures du produit.



**REMARQUE:** La pression de l'air comprimé ne doit pas dépasser 25 psi.

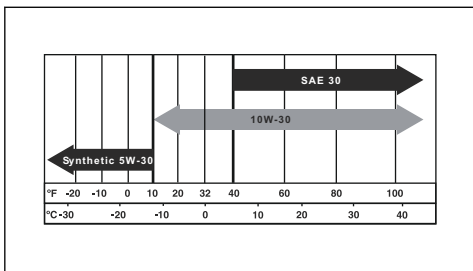
## Pour contrôler le niveau d'huile moteur



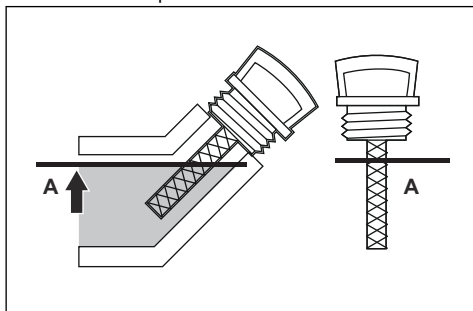
**REMARQUE:** Ne faites pas fonctionner le produit lorsque le niveau d'huile moteur est bas. Cela peut endommager le moteur.



**REMARQUE:** Utilisez de l'huile moteur de classe SJ, SL ou supérieure de l'American Petroleum Institute (Institut américain du pétrole : API). N'utilisez pas d'additifs spéciaux. Sélectionnez une plage de viscosité correspondant à la température ambiante. Reportez-vous à l'illustration ci-dessous.



1. Arrêtez complètement le produit et assurez-vous qu'il se trouve sur une surface plane.
2. Nettoyez la zone autour du réservoir d'huile.
3. Nettoyez autour du bouchon du réservoir d'huile et de la jauge.
4. Nettoyez l'huile sur la jauge.
5. Remplacez la jauge complètement dans le réservoir d'huile.
6. Enlevez la jauge.
7. Inspectez le niveau d'huile moteur sur la jauge.
8. Si le niveau d'huile moteur est bas, remplissez le réservoir d'huile moteur jusqu'à ce que l'huile moteur atteigne le repère (A) de la jauge. Reportez-vous à *Caractéristiques techniques* à la page 109 pour connaître la capacité du réservoir d'huile.



9. Contrôlez le niveau d'huile moteur une nouvelle fois.
10. Remplacez le bouchon du réservoir d'huile et la jauge.

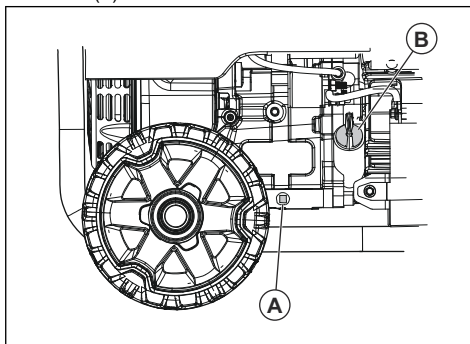
## Pour remplacer l'huile moteur

**Remarque:** Vidangez l'huile moteur lorsque le moteur est chaud. La vidange se fait plus rapidement lorsque l'huile moteur est chaude.



**AVERTISSEMENT:** L'huile moteur devient très chaude et peut causer des brûlures graves. Laissez le moteur refroidir avant de vidanger l'huile moteur.

1. Nettoyez la zone autour du bouchon de vidange d'huile (A).

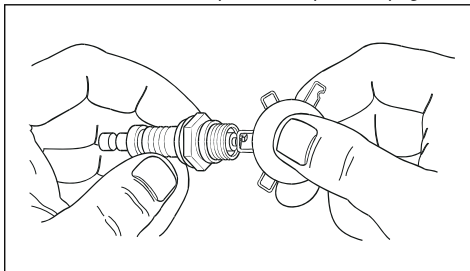


2. Placez un récipient adapté sous l'orifice de vidange.
3. Retirez le bouchon de vidange d'huile et le bouchon du réservoir d'huile (B).
4. Vidangez l'huile moteur dans le récipient.
5. Installez le bouchon de vidange d'huile et serrez-le.
6. Remplissez l'huile moteur. Reportez-vous à la section *Pour contrôler le niveau d'huile moteur* à la page 105.
7. Nettoyez tout déversement d'huile.
8. Recyclez l'huile moteur usagée dans un centre de mise au rebut agréé.

## Remplacement de la bougie

Remplacez la bougie 1 fois par an.

1. Arrêtez le moteur.
2. Déposez le capuchon de la bougie.
3. Nettoyez la zone autour de la bougie et retirez la bougie du cylindre.
4. Réglez l'écartement des électrodes. Reportez-vous à la section *Caractéristiques techniques* à la page 109.



5. Installez une nouvelle bougie. Serrez au couple de 15 lb.pi.

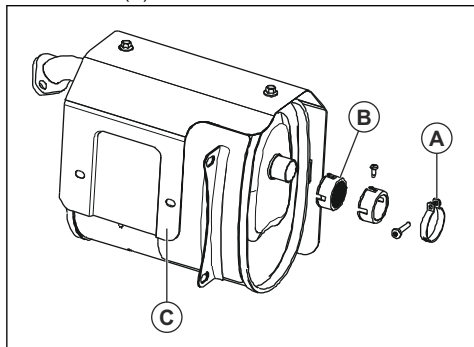
## Pour contrôler l'écran pare-étincelles

Vérifiez et nettoyez l'écran du pare-étincelles 1 fois par an ou plus fréquemment si nécessaire.



**AVERTISSEMENT:** Dans certaines zones et conditions, vous devez utiliser un pare-étincelles pour éviter tout risque d'incendie. Respectez les réglementations locales.

1. Retirez le collier (A) et le pare-étincelles (B) du silencieux (C).



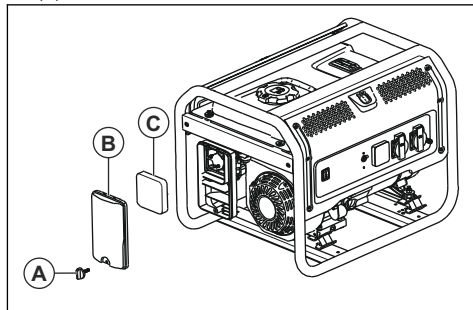
2. Nettoyez l'écran pare-étincelles avec un solvant acheté dans le commerce.
3. Examinez l'écran pare-étincelles pour vérifier qu'il n'est ni usé ni endommagé. Remplacez l'écran pare-étincelles si nécessaire.



**REMARQUE:** N'utilisez jamais un produit dont l'écran pare-étincelles est endommagé.

## Pour contrôler le filtre à air

1. Retirez le bouton (A) et le couvercle du filtre à air (B).



2. Retirez le filtre à air (C).
3. Nettoyez le filtre à air et le couvercle de filtre à air avec de l'eau chaude.
4. Laissez sécher le filtre à air et le couvercle du filtre à air.
5. Installez le filtre à air, le couvercle de filtre à air et le bouton.

## Dépannage

### Guide de dépannage

Problème	Cause	Solution
Le moteur s'arrête en cas de surcharge.	Le filtre à air n'est pas propre.	Nettoyez ou remplacez le filtre à air.
	Le moteur n'est pas chaud.	Laissez chauffer le moteur avant de l'utiliser.
Le moteur a des défauts d'allumage.	La bougie d'allumage est desserrée.	Vérifiez les raccordements du câble.
	Écartement des électrodes incorrect.	Remplacez le capuchon de la bougie.
	Le capuchon de la bougie est endommagé.	Remplacez le capuchon de la bougie.
	Essence périmée ou de mauvaise qualité.	Remplissez de carburant.
	Compression incorrecte.	Réglez la compression.

Problème	Cause	Solution
Le moteur s'arrête brusquement.	Le niveau d'huile moteur est bas.	Remplissez l'huile moteur.
	Le réservoir de carburant est vide ou contient de l'essence de mauvaise qualité.	Remplissez de carburant.
	Bouchon du réservoir de carburant défectueux.	Remplacez le bouchon du réservoir de carburant.
	Aimant défectueux.	Contactez un atelier d'entretien agréé.
	Le capuchon de la bougie n'est pas installé correctement.	Installez le capuchon de la bougie.
Un cognement du moteur se fait entendre.	Essence périmée ou de mauvaise qualité.	Remplissez de carburant.
	Surcharge dans le moteur.	Reportez-vous à la section <i>Pour éviter toute surcharge du produit à la page 104.</i>
	Problème mécanique.	Contactez un atelier d'entretien agréé.
Le moteur produit un retour de flamme.	Essence de mauvaise qualité.	Remplissez de carburant.
	Le moteur est trop froid.	Utilisez du carburant pour les conditions froides et des additifs d'huile.
	La soupape d'admission est bloquée ou le moteur est trop chaud.	Contactez un atelier d'entretien agréé.
	Mauvais calage de l'allumage.	Contrôlez le calage de l'allumage.
Le produit n'est pas alimenté.	Le produit n'est pas connecté à la source électrique.	Arrêtez le produit et débranchez-le. Connectez le produit et redémarrez-le.
	Un disjoncteur s'est déclenché.	Arrêtez le produit et débranchez-le. Redémarrez le disjoncteur. Connectez le produit et redémarrez-le.
	La prise est engagée.	Arrêtez le produit et débranchez-le. Testez la prise. Si la prise n'est pas endommagée, démarrez et rebranchez le produit.
	L'entretien est nécessaire.	Contactez un atelier d'entretien agréé.
Le produit ne fonctionne pas correctement.	Problème avec un appareil électrique.	Débranchez l'appareil électrique. Contactez un atelier d'entretien agréé.
	Le produit est trop chargé.	Diminuez la quantité d'appareils électriques connectés au produit.



**REMARQUE:** Si le problème persiste, adressez-vous à un atelier d'entretien agréé.

## Pour préparer votre produit pour un entreposage à long terme

Procédez comme suit si le produit doit être entreposé pendant plus de 30 jours. La procédure suivante permet d'éviter les problèmes liés au système de carburant.

1. Ajoutez un stabilisateur dans le carburant. Le stabilisateur de carburant doit être conforme aux recommandations du fabricant.
2. Faites fonctionner le produit pendant 10 à 15 minutes.
3. Laissez refroidir le moteur et vidangez le réservoir de carburant.



**REMARQUE:** Ne conservez pas le carburant en cas d'entreposage prolongé. Mettez au rebut l'essence qui n'est pas propre.

4. Démarrez le moteur et laissez-le tourner jusqu'à ce que tout le carburant ait été utilisé et que le produit s'arrête.
5. Laissez le moteur refroidir avant de remplacer l'huile moteur.

6. Retirez le capuchon de la bougie et versez 15 ml (½ oz) d'huile moteur dans le cylindre.
7. Placez un chiffon sur l'orifice de la bougie pour la protéger.
8. Tirez la poignée du câble du démarreur 5 fois pour lubrifier les pièces du moteur.
9. Installez et serrez la bougie.



**AVERTISSEMENT:** Installez le capuchon de la bougie.

10. Nettoyez le produit.
11. Placez le produit dans un endroit propre et sec à l'intérieur.
12. Placez une protection sur le produit pour le protéger.



**AVERTISSEMENT:** Ne placez pas de capot sur le produit s'il est chaud.

## Caractéristiques techniques

### Caractéristiques techniques

	Husqvarna G1300P	Husqvarna G1300P	Husqvarna G2500P	Husqvarna G2500P	Husqvarna G3200P
Cylindrée du moteur, cm <sup>3</sup>	98,5	98,5	196	196	212
Puissance maximale, W <sup>11</sup>	1 000	1 200	2 200	2 800	3 000
Puissance nominale, W	800	1 000	2 000	2 500	2 800
Tension, V	230	110/220 120/240	230	110/220 120/240	230
Fréquence nominale, Hz	50	60	50	60	50
Phase	1	1	1	1	1
Poids net, kg	28,0	28,0	43,0	43,0	49,0
Poids brut, kg	29,2	29,2	45,0	45,0	51,0
Taille de l'emballage, mm	500X375X435	500X375X435	500X375X435	500X375X435	625X495X495

<sup>11</sup> La puissance maximale est soumise à des facteurs tels que la teneur en énergie du carburant, la température ambiante, l'altitude, l'état du moteur, etc. La puissance maximale diminue d'environ 3,5 % pour chaque tranche de 1 000 pieds au-dessus du niveau de la mer et diminue également d'environ 1 % pour chaque tranche de 6 °C (10 °F) au-dessus de la température ambiante de 16 °C (60 °F).

	Husqvarna G1300P	Husqvarna G1300P	Husqvarna G2500P	Husqvarna G2500P	Husqvarna G3200P
Capacité du réservoir d'huile, l	0,45	0,45	0,6	0,6	0,6
Écartement des électrodes, mm/po	0,76/0,030	0,76/0,030	0,76/0,030	0,76/0,030	0,76/0,030
Type	Essence	Essence	Essence	Essence	Essence
Niveau de puissance acoustique mesuré, dB (A)			95	95	96
Niveau de puissance acoustique garanti, dB (A)			95	95	96

	Husqvarna G3200P	Husqvarna G5500P	Husqvarna G5500P	Husqvarna G8500P	Husqvarna G8500P
Cylindrée du moteur, cm <sup>3</sup>	212	389	389	458	458
Puissance maximale, W <sup>12</sup>	3 200	5 500	6 000	8 000	8 500
Puissance nominale, W	3 000	5 000	5 500	7 500	8 000
Tension, V	110/220 120/240	230	110/220 120/240	230	110/220 120/240
Fréquence nominale, Hz	60	50	60	50	60
Phase	1	1	1	1	1
Poids net, kg	49,0	88,0	88,0	106,4	106,4
Poids brut, kg	51,0	91,0	91,0	109,5	109,5
Taille de l'emballage, mm	625X495X495	720X560X585	720X560X585	720X560X585	720X560X585
Capacité du réservoir d'huile, l	0,6	1.1	1.1	1.1	1.1
Écartement des électrodes, mm/po	0,76/0,030	0,76/0,030	0,76/0,030	0,76/0,030	0,76/0,030
Type	Essence	Essence	Essence	Essence	Essence
Niveau de puissance acoustique mesuré, dB (A)	96				

<sup>12</sup> La puissance maximale est soumise à des facteurs tels que la teneur en énergie du carburant, la température ambiante, l'altitude, l'état du moteur, etc. La puissance maximale diminue d'environ 3,5 % pour chaque tranche de 1 000 pieds au-dessus du niveau de la mer et diminue également d'environ 1 % pour chaque tranche de 6 °C (10 °F) au-dessus de la température ambiante de 16 °C (60 °F).

	Husqvarna G3200P	Husqvarna G5500P	Husqvarna G5500P	Husqvarna G8500P	Husqvarna G8500P
Niveau de puissance acoustique garanti, dB (A)	96				

## Guide de référence du Watt

**Remarque:** Tous les chiffres sont approximatifs.  
Reportez-vous à l'étiquette de données de l'appareil pour connaître les exigences en matière de puissance.

Appareil	Puissance en fonctionnement	Puissance (W) de démarrage supplémentaire
<b>Urgence</b>		
Réfrigérateur/congélateur	700	1 500
Radio	100	0
<b>Site de travail</b>		
Compresseur d'air - ½ ch	1 000	1 000
Banc de scie - 10 pouces	1 700	1 300
Ponceuse à bande - 3 pouces	1 200	1 200
Perceuse manuelle - ½ pouce	600	600
Lampe de travail halogène	1 000	0
Scie alternative	900	900
<b>Loisirs</b>		
Radio AM/FM	100	0
Grille électrique	1 700	0
Pompe de gonflage 50	100	-
Lecteur de CD/DVD	100	0
Ventilateur - 20 pouces	200	200
Cafetière	600	0
<b>Foyer</b>		
Ordinateur avec écran	800	0
Sèche-linge électrique	5 500	500
Cuisinière électrique	2100	0
Chauffe-eau électrique	2000	0
Ampoule - 100 W	100	0
Four à micro-ondes - 1 000 W	1 000	200
Pompe de puisard - ½ ch	1 000	1 100

Appareil	Puissance en fonctionnement	Puissance (W) de démarrage supplémentaire
Télévision	400	0
Machine à laver	1 100	1 100
Pompe de puits - ½ ch	1 000	1 000
<b>Pelouse et jardin</b>		
Taille-haie	400	400
Nettoyeur haute pression	1 200	1 200
Tondeuse à gazon	1 200	1 200
Tranche-bordure	1 000	1 000
<b>Chauffage et refroidissement</b>		
Climatiseur central : 10 000 BTU	1 500	1 500
Ventilateur du four - ½ ch	900	1 400
Appareil de chauffage autonome	1 800	0
Climatiseur de fenêtre - 10 000 BTU	1 200	600



---

# Déclaration de conformité CE

---

## Déclaration de conformité CE

Pour la machine suivante :

- Nom du produit : Groupe électrogène portable
- Utilisation : Groupe électrogène à faible consommation
- N° de modèle : G 2500P, G 3200P
- N° de série : à partir de 1945013770, 1945013793

**est confirmée par la présente satisfaisante à toutes les dispositions pertinentes de**

- Directive machines (2006/42/CE)
- Directive basse tension (2014/35/UE)
- Directive relative à la limitation de l'utilisation de certaines substances dangereuses (RoHS) (2011/65/UE)
- Directive relative à la compatibilité électromagnétique (2014/30/UE)
- Directive des émissions sonores dans l'environnement des matériels destinés à être utilisés à l'extérieur des bâtiments (2000/14/CE + 2005/88/CE)

**et satisfaisante à la norme harmonisée suivante :**

- EN ISO 8528-13:2016, EN 61000-6-1:2007; EN 55012:2007+A1

**Procédure d'évaluation de la conformité 2000/14/CE, modifiée par 2005/88/CE- Annexe VI**

TÜV Rheinland LGA Products GmbH, organisme notifié pour les machines (notifié sous 0197), Tolystraße 2 - 90431 Nuremberg, Allemagne, a effectué la certification relative aux émissions sonores. Pour plus d'informations sur les émissions sonores, reportez-vous à la section *Caractéristiques techniques à la page 109*.

Husqvarna, 10/06/2020



Claes Losdal, Directeur du développement/Articles de jardinage (Représentant autorisé d'Husqvarna AB et responsable de la documentation technique).

# TARTALOMJEGYZÉK

Bevezető.....	114	Karbantartás.....	123
Biztonság.....	117	Hibaelhárítás.....	125
Összeszerelés.....	120	A termék felkészítése hosszú időn át tartó tárolásra..	127
Telepítés.....	121	Műszaki adatok.....	127
Üzemeltetés.....	121	EK megfelelőségi nyilatkozat.....	131

## Bevezető

### Termékleírás

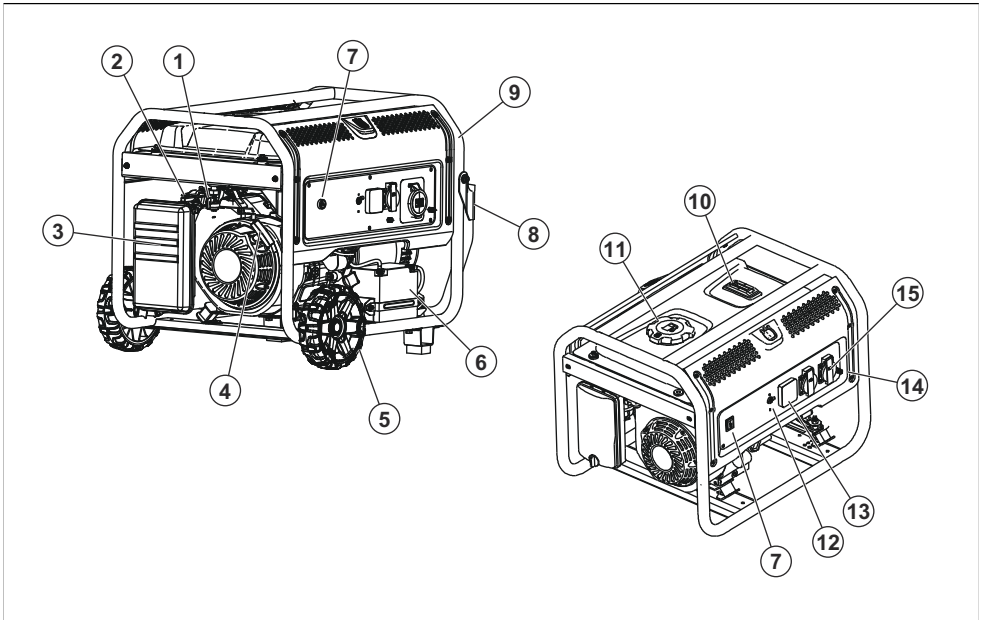
A termék egy belső égésű motorral működő hordozható generátor.

ahol nincs elektromos tápellátás. Ne használja a terméket egyéb feladatokra.

### Rendeltetésszerű használat

A termék elektromos tápellátást biztosít az elektromos fogyasztók olyan helyeken történő működtetéséhez,

### A termék áttekintése



1. Üzemanyag-szelep
2. Fojtószelep (szívató)
3. Légszűrő
4. Indítózsínőr fogantyúja
5. Kerék
6. Akkumulátor
7. Főkapcsoló
8. Fogantyúkar

9. Váz
10. Üzemanyagszint-jelző műszer
11. Üzemanyagtartály sapkája
12. AC áramkör-megszakítók
13. VFT-mérő
14. Földelő csatlakozó
15. AC aljzat

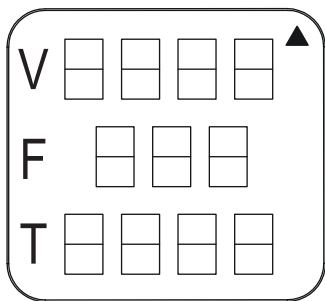
## 12 V DC csatlakozó

A 12 V DC csatlakozó 12 V DC egységek tápellátásaként szolgál.



## VFT-mérő

A VFT-mérő a termék feszültségét, frekvenciáját és teljes működési idejét mutatja.



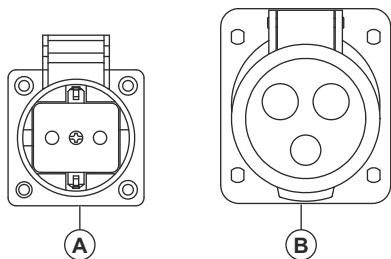
## AC aljzatok

A termék számos AC aljzattal rendelkezik, amelyek segítségével biztosítja a szerszámok és berendezések áramellátását. A különböző piaci területeken elérhető AC aljzatok eltérőek.

EU, egyfázisú, 50 Hz

A: Kétérintkezős, 230 V-os aljzat.

B: Háromérintkezős, 32 A-s, 230 V-os aljzat.

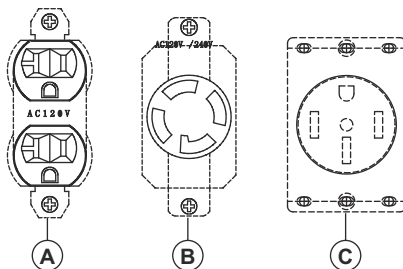


US, egyfázisú, 60 Hz

A: Háromérintkezős, duplex 120 V-os aljzat.

B: Négyérintkezős, gyűrűzáras, 30 A-s, 120/240 V-os aljzat.

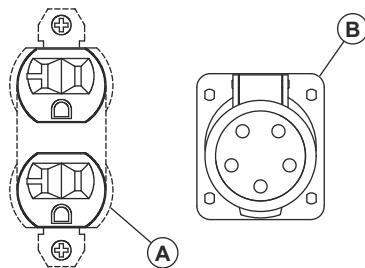
C: Négyérintkezős, 50 A-s, 120/240 V-os aljzat.



US, háromfázisú, 60 Hz

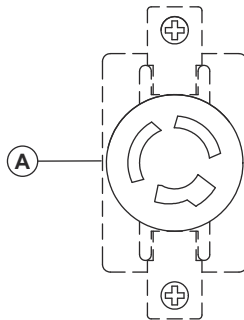
A: Háromérintkezős, duplex 110 V-os aljzat.

B: Ötérintkezős, háromfázisú, 127/220 V-os aljzat.



CN, egyfázisú, 50 Hz

A: Háromérintkezős, gyűrűzáras, 230 V-os aljzat.



## A termék szimbólumai



**FIGYELMEZTETÉS!** Körültekintően járjon el, és megfelelően használja a terméket. A gép a kezelő és mások súlyos sérülését és halálát okozhatja.



Alaposan olvassa el a kezelői kézikönyvet, és a termék használatba vétele előtt győződjön meg róla, hogy megértette a benne foglaltakat.



Tűz- és robbanásveszély.



Fennáll a szénmonoxid-mérgezés kockázata. Ne használja a terméket olyan területen, ahol nem megfelelő a légáramlás.



Elektromos áramütés veszélye.



Fennáll az égési sérülés veszélye!



Töltse fel olajjal.



Töltse fel üzemanyaggal.



Nyissa ki az üzemanyagszelepet.



Állítsa a főkapcsolót BE állásba.



Állítsa a szivatót KI állásba.



Állítsa a szivatót BE állásba.



Húzza meg az indítókötél fogantyúját.



Csatlakoztassa az elektromos fogyasztókat.



Válassza le az elektromos fogyasztókat.



Zárja el az üzemanyagszelepet.



A 2000/14/EK számú európai irányelvnek és New South Wales „Környezetben történő munkavégzés (zajszabályozás) szabályozása, 2017” irányelvének megfelelő környezeti zajszennyezés. A zajszennyezésre vonatkozó adatok a gép címkéjén és a Műszaki adatok című fejezetben találhatóak.



A terméket ne használja beltéren.



A terméket kültéren használja. Tartsa távol a terméket az ablakoktól, ajtóktól és szellőzőnyílásoktól.



Állítsa a szivatót BE állásba, és várjon 50 másodpercet.





Állítsa a szivatót KI állásba, és várjon 50 másodpercet.



Várjon 30 másodpercet, majd állítsa a főkapcsolót KI állásba.

# Típustábla

	Prod. year 0000
Product	<input type="text"/>
Serial No.	<input type="text"/>
Article No.	<input type="text"/>
Model	<input type="text"/>
Weight	<input type="text"/>
Rated current	<input type="text"/>
Max Power	<input type="text"/>
COP Power	<input type="text"/>
Voltage	<input type="text"/>
Rated Frequency	<input type="text"/>
Power factor	<input type="text"/>
Performance class	<input type="text"/>
Quality class	<input type="text"/>
Protection class	<input type="text"/>
Husqvarna AB SE-561 82 Huskvarna Sweden	Low-power generating set 

## Biztonság

### Biztonsági meghatározások

A figyelmeztetések, óvintézkedések és megjegyzések a használati utasítás kiemelten fontos részeire hívják fel a figyelmet.



**FIGYELMEZTETÉS:** Akkor használatos, ha a kézikönyv utasításainak be nem tartása esetén fennáll a kezelő vagy a közelben tartózkodók sérülésének vagy halálának veszélye.



**VIGYÁZAT:** Akkor használatos, ha a kézikönyv utasításainak be nem tartása esetén fennáll a vagyoni kár, illetve a termék vagy a környező terület károsodásának veszélye.

**Megjegyzés:** További információt biztosít az adott helyzetben szükséges tennivalókról.

### Általános biztonsági utasítások



**FIGYELMEZTETÉS:** A termék használata előtt olvassa el és értelmezze az alábbi figyelmeztetéseket.

- Használat előtt olvassa el és értelmezze a termék felhasználói kézikönyvét és a terméken található biztonsági címkéket. A saját és mások biztonsága az Ön felelősége.
- Tartsa be a felhasználói kézikönyvben olvasható utasításokat.
- A kézikönyv nem tartalmaz figyelmeztetést a termék használata és karbantartása során esetlegesen

előforduló összes szituációval kapcsolatban. Mindig megfontoltan és előrelátóan cselekedjen.

### Üzemanyaggal kapcsolatos biztonság



**FIGYELMEZTETÉS:** A termék használata előtt olvassa el és értelmezze az alábbi figyelmeztetéseket.

- A benzin rendkívül gyúlékony, a benzingőz pedig robbanékony. A benzin kezelése során ügyeljen arra, hogy a közelben senki ne dohányozzon, és ne használjon nyílt lángot, szikrát vagy hőt.
- Soha ne töltsön be üzemanyagot, amíg a termék jár vagy forró. Az üzemanyag betöltése előtt várja meg, amíg a motor teljesen lehűl.
- Soha ne tölts be az üzemanyagot beltérben.
- Tartsa be a benzin tárolására és kezelésére vonatkozó összes törvényt.
- Ne töltsen túl az üzemanyagtartályt. Mindig hagyjon helyet az üzemanyag tágulására. Az üzemanyagtartály túltöltése esetén az üzemanyag kifolyhat a forró motorra, és tüzet vagy robbanást okozhat.
- Soha ne tárolja a terméket üzemanyaggal feltöltött üzemanyagtartállyal olyan helyen, ahol a benzingőz nyílt lángot, szikrát vagy őrlángot érhet el (például kemencén, vízmelegítőn vagy ruhaszárítón). Ez tüzet vagy robbanást okozhat. Tárolás előtt várja meg, amíg a termék teljesen lehűl.
- Azonnal törölje fel az esetlegesen kiömlött üzemanyagot vagy olajat. Ügyeljen arra, hogy ne maradjon éghető anyag a terméken vagy annak közelében. A termék környezetét tartsa tisztán és hulladéktól mentesen. A termék megfelelő szellőzése érdekében minden oldalon tartson kb. másfél méter távolságot.

- Ne működtesse a terméket, ha egy hozzá csatlakoztatott elektromos készülék túlmelegszik, ha a készülék elektromos teljesítménye elvész, vagy ha a készülék működése közben lángot vagy füstöt észlel.
- Mindig tartson tűzoltó készüléket a termék közelében.
- Ügyeljen rá, hogy ne kerüljön üzemanyag a forró motorra.
- Ne dohányozzon és ne gyújtson meg cigarettát a termék vagy az üzemanyag közelében.
- Az üzemanyagot kültéren, nyílt lángtól távol, jóváhagyott edénybe engedje le. Ellenőrizze, hogy a motor hideg-e.

## A kipufogó biztonságossága



**FIGYELMEZTETÉS:** A termék használata előtt olvassa el és értelmezze az alábbi figyelmeztetéseket.

- Soha ne használja a terméket zárt helyen vagy beltéren! Soha ne használja a terméket az otthonában, járműben vagy részben zárt helyen, például garázsban, még akkor sem, ha az ajtók és ablakok nyitva vannak! A terméket csak kültéren, nyitott ablakoktól, ajtóktól és szellőzőktől távol, valamint olyan területen használja, ahol nem gyűlhet össze halálos mennyiségű kipufogógáz.
- A motorból származó kipufogógáz szén-monoxidot tartalmaz, amely szintelen és szagtalan. Ez a mérgező gáz elegendő koncentrációban történő belélegzés esetén eszméletvesztést vagy akár halált is okozhat.
- A termék megfelelő működésének szempontjából kritikus fontosságú a hűtő- és szellőztető levegő megfelelő, akadálymentes áramlása. Ne változtassa meg a berendezés felépítését, és a szellőztetési előírások akár részleges blokkolását se engedélyezze, mivel ez súlyosan befolyásolhatja a termék biztonságos működését. A terméket csak kültéren szabad használni.
- Beltéren mindig használjon a gyártó utasításai szerint felszerelt, akkumulátorral működő szén-monoxid-riasztót.
- Ha a termék használata után hányingere van, szédül vagy gyengének érzi magát, azonnal menjen friss levegőre. Forduljon orvoshoz, mivel előfordulhat, hogy szén-monoxid-mérgezést kapott.

## Elektromos biztonság



**FIGYELMEZTETÉS:** A termék használata előtt olvassa el és értelmezze az alábbi figyelmeztetéseket.

- A termék működés közben veszélyesen magas feszültséget állít elő. Amíg a termék jár, kerülje a csupaszes vezetékkel, csatlakozókkal, csatlakozásokkal stb. való érintkezést, még

a termékhez csatlakoztatott berendezéseken is. A termék használata előtt győződjön meg arról, hogy minden megfelelő burkolat, védőelem és védőkorlát a helyén van-e.

- Soha ne nyúljon elektromos vezetékhez vagy eszközhöz, ha vízben áll, meztláb van, illetve ha nedves a keze vagy a lába. Ez veszélyes áramütést okozhat.
- Egyes országokban előírás, hogy a ház és a termék külső, elektromos vezető alkatrészei megfelelően csatlakozzanak egy jóváhagyott földeléshez. Egyes országokban előírás lehet a termék megfelelő földelése is. Az adott területen érvényes földelési követelményekkel kapcsolatban forduljon egy helyi villanyszerelőhöz.
- Használjon hibaáram-védőkapcsolót (GFCI) a nedves vagy erősen vezeték területen (például fém padlózat vagy acélmunka).
- Ne használjon kopott, csupaszes, roncsolódott vagy egyéb módon sérült elektromos kábelkiszletet a termékekkel.
- Áramütés okozta baleset esetén azonnal állítsa le az elektromos tápellátást. Ha ez nem lehetséges, próbálja meg megszakítani az áldozatot a feszültség alatt álló vezetőtől. Kerülje az áldozattal való közvetlen érintkezést. Használjon nem vezető eszközt, például kötelet vagy deszkát, hogy az áldozatot megszakadítsa a feszültség alatt álló vezetőtől. Ha az áldozat eszméletlen, alkalmazzon elsősegélyt, és azonnal kérjen orvosi segítséget.

## Biztonsági utasítások az üzemeltetéshez



**FIGYELMEZTETÉS:** A termék használata előtt olvassa el és értelmezze az alábbi figyelmeztetéseket.

- A terméket csak sík felületen működtesse, és ne tegye ki túlzott nedvességnek, szennyeződésnek, pornak vagy maró hatású gőznek.
- A kezét, lábát, ruházatát stb. tartsa távol a hajtószíjaktól, ventilátoroktól és egyéb mozgó alkatrészekről. Soha ne távolítsa el a ventilátor védőelemét vagy védőlapját, amíg az egység működik.
- A generátor bizonyos részei működés közben rendkívül felforrósodnak. A súlyos égési sérülések elkerülése érdekében a lehetőségig ne helyezzen semmit a generátor közelébe.
- Esőben ne működtesse a terméket.
- Ne változtassa meg a termék felépítését, és ne módosítsa a kezelőszerveket, mert az nem biztonságos működési állapotot eredményezhet.
- Soha ne indítsa el vagy állítsa le a terméket, ha az elektromos fogyasztók aljzatokhoz vannak csatlakoztatva, és ha a csatlakoztatott eszközök be vannak kapcsolva. Az elektromos fogyasztók

csatlakoztatása előtt indítsa be a motort, és hagyja stabilizálódni. A generátor leállítása előtt válasszon le minden elektromos fogyasztót.

- Ne helyezzen tárgyakat a termék hűtőnyílásaiba, még akkor sem, ha a motor nem jár.
- A berendezésen végzett munkálatok során mindig legyen elővigyázatos. Soha ne végezzen munkát a berendezésen, ha fizikailag vagy mentálisan kimerült.
- Soha ne használja a terméket vagy annak bármely részét fellépőként. A termékre lépve az alkatrészeket terhelés érheti és eltörhetnek, ez pedig a szivárgó kipufogógázok, az üzemanyag-szivárgás, az olajszivárgás stb. miatt veszélyes működési körülményeket eredményezhet.
- Használat előtt győződjön meg róla, hogy minden kezelőszervet és beállítást ismer.
- Ne terhelje túl a terméket. Ne terhelje túl az egyes panelaljakokat. Ezeket a kimeneteket áramkör-megszakítók védik a túlterhelés ellen. Ha valamelyik áramkör-megszakító áramerőssége meghaladja a névleges értéket, akkor a megszakító kiold, és az adott aljzathoz tartozó elektromos teljesítmény elvész.
- Soha ne indítsa be és ne állítsa le a motort, ha elektromos készülékek vannak az aljakatokhoz csatlakoztatva, és a készülékek be vannak kapcsolva.

## Biztonsági eszközök a terméken

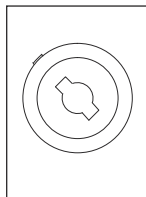
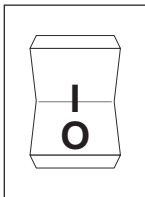


**FIGYELMEZTETÉS:** A termék használata előtt olvassa el az alábbi figyelmeztetéseket.

- Ne használjon olyan terméket, amelynek hibásak a biztonsági eszközei.
- Rendszeresen ellenőrizze a biztonsági eszközöket. A biztonsági eszközök meghibásodása esetén vegye fel a kapcsolatot a Husqvarna szervizműhellyel.

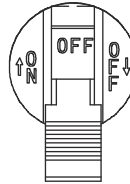
## Főkapcsoló

A motor elindításához és leállításához nyomja meg a főkapcsolót.



## Áramkör-megszakítók

Az áramkör-megszakítók megakadályozzák a termék túlterhelését. Az áramkör-megszakító névleges értékére vonatkozó információk az áramkör-megszakító közelében láthatók.

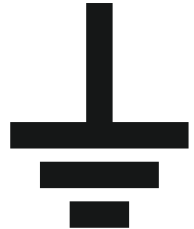
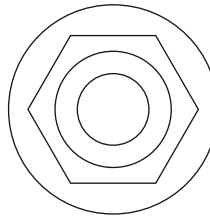


ON

OFF

## Földelő csatlakozó

A földelő csatlakozó biztosítja a termék megfelelő földelését. Minden egyes művelet előtt földelő vezetékkel kell csatlakoztatni a földelő csatlakozóhoz.



## Biztonsági utasítások a karbantartáshoz



**FIGYELMEZTETÉS:** A terméken végzett karbantartási műveletek előtt olvassa el és értelmezze az alábbi figyelmeztetéseket.

- Biztonsági okokból a gyártó azt javasolja, hogy a berendezés karbantartását hivatalos márkakereskedő végezze. Rendszeresen ellenőrizze a generátort, és forduljon a legközelebbi hivatalos márkakereskedőhöz a javításra vagy cserére szoruló alkatrészek tekintetében.
- A termék szikrafogóval ellátott hangfogóval rendelkezik. A megfelelő működés érdekében a szikrafogó a tulajdonos/kezelő általi rendszeres karbantartást igényel.
- A kipufogórendszer megfelelően karban kell tartani. Ne tegyen semmi olyasmit, aminek következtében a kipufogórendszer veszélyessé válhat, illetve ami által nem felel meg a helyi szabályzatoknak és/vagy szabványoknak.

- Mielőtt karbantartást végezne a terméken, a véletlen beindítás elkerülése érdekében válassza le a motorindító akkumulátort (ha van). Először a negatív, NEG vagy (-) jellel jelölt akkumulátorsaruról válassza le a kábelt. Ezt a kábelt csatlakoztassa vissza utoljára.
- Ha a motort az ajánlott olajjal való megfelelő szervizelés előtt próbálja begyújtani vagy beindítani, az a motor meghibásodását okozhatja.
- A terméken végzett munka során mindig válassza le a gyertyapipát a gyújtógyertyáról, és tartsa távol a gyertyapipát a gyújtógyertyától.

- A forró olaj égési sérüléseket okozhat. Az üzemanyag leengedése előtt hagyja lehűlni a motort. A bőrt ne tegye ki hosszabb ideig vagy ismételten a használt olajnak. Az olajjal érintkezett bőrfelületet alaposan mossa le szappannal.
- A jótállás nem vonatkozik a kezelő hanyagságából vagy a termék nem rendeltetésszerű használatából eredő hibákra. A teljes értékű jótállás érdekében a kezelőnek a jelen kezelői kézikönyv utasításai szerint kell karbantatania a terméket.

## Összeszerelés

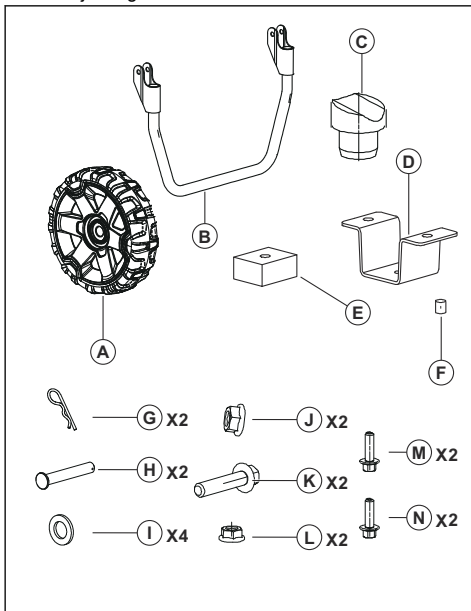
### Bevezető



**FIGYELMEZTETÉS:** Figyelmesen olvassa el a biztonságról szóló fejezetet, mielőtt összeállítaná a terméket.

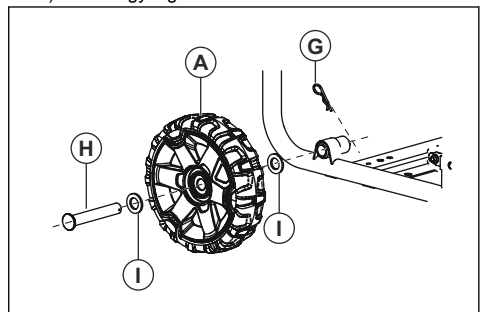
### A tartozékkészlet összeszerelése (G5500P, G8500P)

1. Ismerje meg a tartozékkészlet részeit.

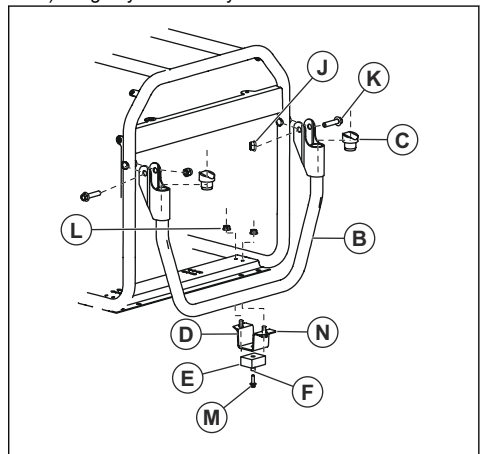


2. Szerelje össze a tartozékkészletet. Lásd az illusztrációkat.

a) Kerékgység:



b) Fogatyszerelvény:





## Telepítés

### Bevezetés



**FIGYELMEZTETÉS:** Olvassa el és értelmezze a biztonságról szóló fejezetet, mielőtt üzembe helyezné a terméket.

### A termék földelése



**FIGYELMEZTETÉS:** A termék földeléséről olyan személynek kell gondoskodnia, aki megfelelő tapasztalattal és ismeretekkel rendelkezik az elektromosság területén. Bizonyos területeken a telepítést szakképzett villanyszerelőnek kell végeznie. Tartsa be a helyi előírásokat.

1. Helyezzen be egy földelőrudat legalább 60 cm-rel a talajba.



**FIGYELMEZTETÉS:**  
Sárgarézből vagy rézből készült földelőrudat használjon.

2. Csatlakoztasson egy, a vezérlőpanelen lévő földelő csatlakozótól vezető 2,5 mm<sup>2</sup>-es földelő vezeték a földelőrúdhoz.

**Megjegyzés:** A földelő vezeték és a földelőrúd nincs a termékhez mellékelve.

### A termék csatlakoztatása egy épület elektromos rendszeréhez



**FIGYELMEZTETÉS:** A termék földeléséről olyan személynek kell gondoskodnia, aki megfelelő tapasztalattal és ismeretekkel rendelkezik az elektromosság területén. Bizonyos területeken a telepítést szakképzett villanyszerelőnek kell végeznie. Tartsa be a helyi előírásokat.

- A terméket egy megszakítás nélküli manuális átkapcsoló segítségével csatlakoztathatja az elektromos rendszerhez.
- Ügyeljen arra, hogy az eljárást az alkalmazandó nemzeti és helyi előírásoknak megfelelően végezze.

## Üzemeltetés

### Bevezető



**FIGYELMEZTETÉS:** A termék használata előtt figyelmesen olvassa el a biztonságról szóló fejezetet.

### Tankolás

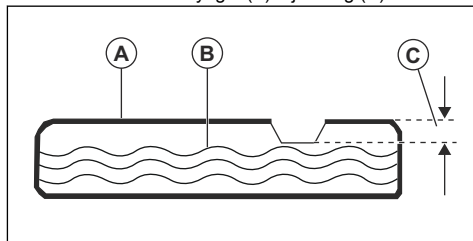
Használjon ólommentes benzint. Ne használjon olyan benzint, amely több mint 10% etanolt tartalmaz, és ne használjon E85 benzint.



**VIGYÁZAT:** A benzint ne keverje olajjal.

1. Állítsa le a motort, és várja meg, amíg a termék lehűl. Lásd: *A termék leállítása 122. oldalon.*
2. Ellenőrizze, hogy a termék vízszintes és megfelelő szellőzésű felületen van-e elhelyezve.
3. Vegye le az üzemanyagtartály sapkáját.

4. Óvatosan tölts fel az üzemanyagtartályt (A). Töltsön be üzemanyagot (B) a jelzésig (C).



5. Tisztítsa le a termékről a kiömlött üzemanyagot.

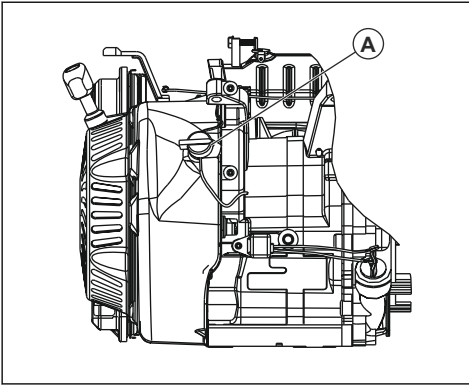


**VIGYÁZAT:** A kiömlött üzemanyag tűzveszélyes, és károsíthatja a környezetet.

### A termék elindítása

1. Válassza le az összes elektromos fogyasztót a vezérlőpanelen lévő aljzatokról.
2. Ellenőrizze, hogy a termék vízszintesen felületen van-e elhelyezve.
3. Nyissa ki az üzemanyagszelepet.

4. Állítsa a főkapcsolót (A) BE állásba.



5. Állítsa a szivatót KI állásba.

6. Húzza ki lassan az indítószínót, amíg ellenállást nem érez.

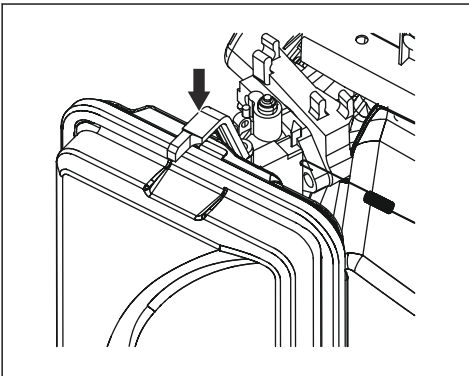
7. Húzza meg gyorsan és erősen az indítókötél fogantyúját, amíg a motor be nem indul.

8. Az elektromos indításhoz hajtsa végre a következő lépéseket.

- Nyomja be és tartsa meg az indítókulcsot INDÍTÁS állásban.
- Amikor a motor beindul, állítsa az indítókulcsot BE állásba.

9. Állítsa a szivatót 1/2 állásba.

10. Ha a motor egyenletesen jár, állítsa a szivatót BE állásba.



**Megjegyzés:** A(z) G1300P esetében a szivató BE és KI állásának helyzete fel van cserélve.

## Az elektromos fogyasztók csatlakoztatása



**FIGYELMEZTETÉS:** Ne csatlakoztasson 240 (230) V-os fogyasztót

a 120 (110) V-os aljzatokhoz. Ne csatlakoztasson háromfázisú elektromos fogyasztókat egyfázisú termékhez. Ne csatlakoztasson 50 Hz-es elektromos fogyasztókat 60 Hz-es termékhez.

- Indítsa be a motort, és néhány percre hagyja melegedni. Lásd: *A termék elindítása 121. oldalon.*
- Csatlakoztassa és indítsa el az elektromos fogyasztókat.
- Győződjön meg arról, hogy a termék nincs túlterhelve. Lásd: *A termék túlterhelésének megelőzése 122. oldalon.*

## A termék túlterhelésének megelőzése

A termék túlterhelése a termék és a csatlakoztatott elektromos készülékek károsodását okozhatja. A termék túlterhelésének megelőzése érdekében kövesse az alábbi lépéseket.

- Adja össze az egyszerre csatlakoztatni kívánt összes elektromos készülék összteljesítményét (W).



**VIGYÁZAT:** A teljesítmény összértéke nem lehet nagyobb, mint a termék teljesítménykapacitása.

- A lámpák névleges teljesítményértéke izzókból is felhasználható. A szerszámok, berendezések és motorok névleges teljesítményértéke a készüléken elhelyezett matricán található.
- Ha a terméken, szerszámon vagy berendezésen nincs megadva teljesítményérték, szorozza meg a feszültségértéket a névleges áramerősség-értékkel.
- Először mindig a legnagyobb indítási teljesítménnyel rendelkező elektromos készülékeket csatlakoztassa a készülékhez. Ezután adja hozzá az összes többi csatlakoztatott elektromos fogyasztó teljesítményértékét.

## A termék leállítása

- Állítsa le és válassza le az összes elektromos fogyasztót a vezérlőpanelen lévő aljzatokról.



**FIGYELMEZTETÉS:** Ne állítsa le a motort, ha az elektromos fogyasztók be vannak kapcsolva, és csatlakoztatva vannak a termékhez.

- Hagyja 30 másodpercen keresztül terhelés nélkül működni a motort.
- Állítsa a főkapcsolót KI állásba.
- Zárja el az üzemenyagszelepet.

# Karbantartás

## Bevezető



**FIGYELMEZTETÉS:** A termék karbantartása előtt olvassa el és értelmezze a biztonsággal foglalkozó fejezetet.

## Karbantartási terv

\* Poros környezetben történő használat esetén tisztítsa gyakrabban a terméket.

\*\* A karbantartási munkákat csak hivatalos szervizműhely végezheti el.

Karbantartás	Napi karbantartás használat előtt	Karbantartási intervallumok üzemórákban				
		20 üzemóránként vagy havonta	50 üzemóránként vagy 3 havonta	100 üzemóránként vagy 6 havonta	300 üzemóránként vagy évente	2 évente
Tisztítsa meg a terméket.	X					
Ellenőrizze a motorolajszintet.	X					
Ellenőrizze a légszűrőt.	X					
Tisztítsa meg a levegőszűrőt.	X					
Ellenőrizze a lerakódások összegyűjtésére szolgáló edényt.	X					
Cseréljen motorolajat.		X*				
Tisztítsa meg vagy cserélje ki a levegőszűrőt.			X*			
Ellenőrizze és tisztítsa meg a gyújtógyertyát.				X		
Ellenőrizze a motor alapljárati fordulatszámát. Szükség esetén állítsa be az alapljárati fordulatszámot.					X**	
Ellenőrizze a szelephézagot. Szükség esetén állítsa be a szelephézagot.					X**	
Tisztítsa meg az üzemanyagtartályt, az üzemanyagszűrőt és a karburátort.					X**	
Tisztítsa meg az égésteret.					X**	
Szükség esetén cserélje ki a benzinkezelőket.						X**

## A termék tisztítása



**VIGYÁZAT:** A termék tisztításához ne használjon vizet. A víz kárt tehet a termékben.

- A termék külső felületét nedves ruhával tisztítsa meg.
- Egy puha kefével távolítsa el a szennyeződések és az olajat.
- Porszívóval távolítsa el a szennyeződések és a nemkívánatos anyagokat a termékről.

- Sűrített levegővel távolítsa el a szennyeződések a hűtőnyílásokból és a termék egyéb nyílásaiból.



**VIGYÁZAT:** A sűrített levegő nyomása nem haladhatja meg a 25 psi értéket.

## A motorolajszint ellenőrzése



**VIGYÁZAT:** Alacsony motorolajszint esetén ne működtesse a terméket. Ez kárt tehet a motorban.



**VIGYÁZAT:** Az Amerikai Ásványolaj Intézet (API) által SJ osztályba vagy SL osztályba sorolt vagy jobb motorolajat használjon. Nem használjon semmilyen speciális olajadalékot. Válasszon olyan viszkozitási tartományt, amely megfelel a környezeti hőmérsékletnek. Lásd a lenti ábrát.

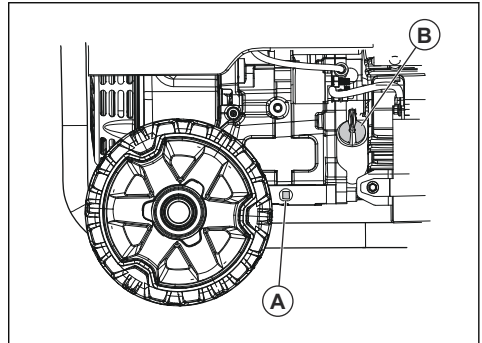
## A motorolaj cseréje

**Megjegyzés:** A motorolaj leengedését meleg motorral végezze el. A meleg motorolaj leengedése gyorsabb.



**FIGYELMEZTETÉS:** A motorolaj nagyon felforrósodik, és égési sérülést okozhat. Várja meg, amíg lehűl a motor, mielőtt leeresztí az olajat.

1. Tisztítsa meg az olajleeresztő csavar (A) körüli területet.

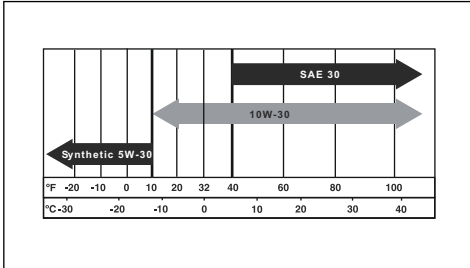


2. Helyezzen egy megfelelő üzemanyagtároló edényt a leeresztőnyílás alá.
3. Távolítsa el az olajleeresztő csavart és az olajtartály sapkáját (B).
4. Engedje le a motorolajat a tartályba.
5. Helyezze fel, majd húzza meg az olajleeresztő csavart.
6. Töltse fel a motort olajjal. Lásd: *A motorolajszint ellenőrzése 123. oldalon.*
7. Távolítsa el a kiömlött olajat.
8. A használt motorolajat adja le egy engedéllyel rendelkező ártalmatlanítási helyen.

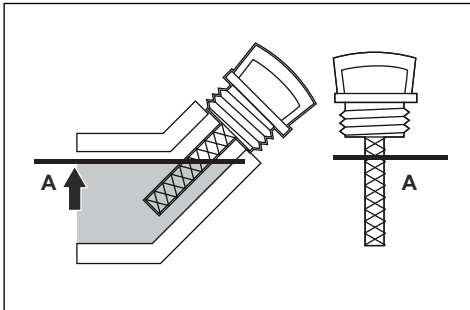
## A gyújtógyertya cseréje

Évente egyszer cserélje ki a gyújtógyertyát.

1. Állítsa le a motort.
2. Távolítsa el a gyertyapipát a gyújtógyertyáról.
3. Tisztítsa meg a gyújtógyertya körüli területet, és távolítsa el a gyújtógyertyát a hengerből.

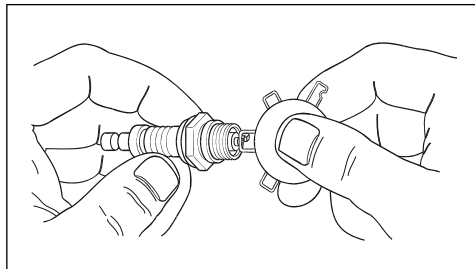


1. Állítsa le teljesen a terméket, és győződjön meg arról, hogy a termék vízszintes felületen van elhelyezve.
2. Tisztítsa meg az olajtartály körüli területet.
3. Távolítsa el az olajtartály sapkáját és a nivópalcát.
4. Törölje le a nivópalcáról az olajat.
5. Helyezze vissza teljes mértékben a nivópalcát az olajtartályba.
6. Vegye ki a nivópalcát.
7. Vizsgálja meg az olajszintet a nivópalcán.
8. Ha a motorolaj szintje alacsony, tölts fel a motort motorolajjal, amíg az olaj szintje el nem éri a nivópálca jelzését (A). Az olajtartály úrtartalmával kapcsolatban lásd: *Műszaki adatok 127. oldalon.*



9. Ismét ellenőrizze a motorolajszintet.
10. Szerelje vissza az olajtartály sapkáját és a nivópalcát.

4. Állítsa be a szikraközt. Lásd: *Műszaki adatok 127. oldal*.



5. Helyezzen be egy új gyújtógyertyát. Húzza meg 15 ft/lbs nyomattal.

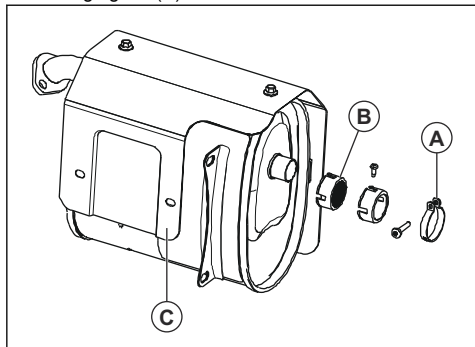
## A szikrafogó háló ellenőrzése

Évente egyszer, vagy szükség esetén gyakrabban ellenőrizze és tisztítsa meg a szikrafogó hálót.



**FIGYELMEZTETÉS:** Bizonyos területeken és körülmények között a tűzveszély elkerülése érdekében szikrafogó háló használata szükséges. Tartsa be a helyi előírásokat.

1. Távolítsa el a rögzítőt (A) és a szikrafogó hálót (B) a hangfogóról (C).



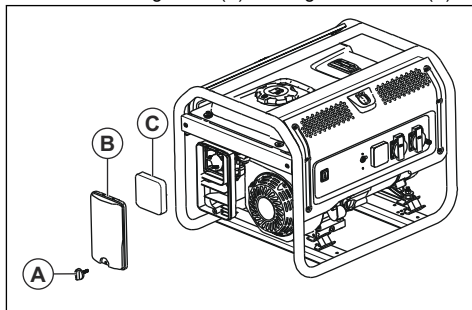
2. Tisztítsa meg a szikrafogó hálót egy kereskedelmi forgalomban kapható oldószer segítségével.
3. Ellenőrizze a szikrafogó hálót, hogy nem kopott vagy sérült-e. Szükség esetén cserélje ki a szikrafogó hálót.



**VIGYÁZAT:** Soha ne használjon olyan terméket, amelyben a szikrafogó háló sérült.

## A légszűrő ellenőrzése

1. Távolítsa el a gombot (A) és a légszűrő fedelét (B).



2. Távolítsa el a légszűrőt (C).
3. Tisztítsa meg a légszűrőt és a légszűrő fedelét szappanos vízzel.
4. Várjon, amíg a légszűrő és a légszűrő fedele megszárad.
5. Helyezze fel a légszűrőt, a légszűrő fedelét és a gombot.

## Hibaelhárítás

### Hibakeresési séma

Probléma	Ok	Megoldás
A motor leáll, ha a terhelése túl nagy.	A levegőszűrő nem tiszta.	Tisztítsa meg vagy cserélje ki a levegőszűrőt.
	A motor nem meleg.	Használat előtt hagyja felmelegedni a motort.

Probléma	Ok	Megoldás
A motor gyújtása kihagy.	A gyújtógyertya kilazult.	Ellenőrizze a kábelcsatlakozásokat.
	Nem megfelelő szikraköz.	Cserélje ki a gyertyapipát.
	A gyertyapipa sérült.	Cserélje ki a gyertyapipát.
	Lejárt vagy gyenge minőségű benzin.	Töltsön be üzemanyagot.
	Nem megfelelő kompresszió.	Állítsa be a kompressziót.
A motor hirtelen leáll.	Alacsony a motorolaj szintje.	Tölts fel a motort olajjal.
	Az üzemanyagtartály üres vagy gyenge minőségű benzint tartalmaz.	Töltsön be üzemanyagot.
	Az üzemanyagtartály sapkája hibás.	Cserélje ki az üzemanyagtartály sapkáját.
	Hibás mágnes.	Beszéljen egy hivatalos szakszervizzel.
	A gyertyapipa nincs megfelelően felhelyezve.	Helyezze fel a gyertyapipát.
Kopogás jelentkezik a motorban.	Lejárt vagy gyenge minőségű benzin.	Töltsön be üzemanyagot.
	Túlterhelés a motorban.	Lásd: <i>A termék túlterhelésének megelőzése</i> 122. oldalon.
	Mechanikai probléma.	Beszéljen egy hivatalos szakszervizzel.
Visszagyújtás történik a motorban.	Gyenge minőségű benzin.	Töltsön be üzemanyagot.
	A motor túl hideg.	Használjon hideg körülmények esetén használandó üzemanyagot és olajadalékokat.
	A szívószelep eltömődött vagy a motor túl forró.	Beszéljen egy hivatalos szakszervizzel.
	Nem megfelelő gyújtásidőztetés.	Ellenőrizze a gyújtásidőztítést.
A termék nem kap áramot.	A termék nincs csatlakoztatva az elektromos áramforráshoz.	Állítsa le a terméket, és válassza le. Csatlakoztassa a terméket, és indítsa be újra.
	Egy áramkör-megszakító kioldott.	Állítsa le a terméket, és válassza le. Indítsa újra az áramkör-megszakítót. Csatlakoztassa a terméket, és indítsa be újra.
	Az aljzat be van kapcsolva.	Állítsa le a terméket, és válassza le. Ellenőrizze az aljzatot. Ha az aljzat nem sérült, indítsa be és csatlakoztassa újra a terméket.
	Szervizelés szükséges.	Beszéljen egy hivatalos szakszervizzel.

Probléma	Ok	Megoldás
A termék nem működik megfelelően.	Probléma egy elektromos készülékel.	Válassza le az elektromos készüléket. Beszéljen egy hivatalos szervizzel.
	Túl sok a terhelés a termékben.	Csökkentse a termékhez csatlakoztatott elektromos eszközök számát.



**VIGYÁZAT:** Ha a probléma továbbra is fennáll, forduljon egy hivatalos szervizműhelyhez.

## A termék felkészítése hosszú időn át tartó tárolásra

Ha a terméket 30 napnál hosszabb ideig fogja tárolni, hajtsa végre az alábbi lépéseket. A következő eljárás megakadályozza az üzemanyagrendszer esetleges problémáit.

- Adjon üzemanyag-stabilizátort az üzemanyaghoz. Az üzemanyag-stabilizátornak meg kell egyeznie a gyártó által javasolt termékkel.
- Működtesse a terméket 10-15 percg.
- Hagyja lehűlni a motort, és engedje le az üzemanyagtartályt.



**VIGYÁZAT:** Hosszú távú tárolás esetén ne hagyjon üzemanyagot a termékben. Gondoskodjon a szennyeződött benzin ártalmatlanításáról.

- Indítsa be a motort, és járassa addig, amíg az összes üzemanyagot fel nem használta, és a termék le nem áll.
- Várja meg, amíg lehül a motor, és cserélje ki a motorolajat.

- Távolítsa el a gyertyapipát, és öntsön 15 ml motorolajat a hengerbe.
- A védelem érdekében helyezzen egy ruhát a gyújtógyertya nyílására.
- A motoralkatrészek kenéséhez húzza meg ötször az indítókötél fogantyúját.
- Helyezze fel és húzza meg a gyújtógyertyát.



**FIGYELMEZTETÉS:** Ne helyezze fel a gyertyapipát.

- Tisztítsa meg a terméket.
- A terméket tiszta és száraz helyen, beltéren helyezze el.
- A védelem érdekében helyezzen védőburkolatot a termékre.



**FIGYELMEZTETÉS:** Ha a termék meleg, ne helyezzen rá védőburkolatot.

## Műszaki adatok

### Műszaki adatok

	Husqvarna G1300P	Husqvarna G1300P	Husqvarna G2500P	Husqvarna G2500P	Husqvarna G3200P
Lökettérfogat, cm <sup>3</sup>	98,5	98,5	196	196	212
Csúcsteljesítmény, W <sup>13</sup>	1000	1200	2200	2800	3000

<sup>13</sup> A maximális watt-teljesítmény olyan tényezőktől függ, illetve olyan tényezők korlátozzák, mint például az üzemanyag energiatartalma, a környezeti hőmérséklet, a tengerszint feletti magasság, a motor állapota stb. A maximális teljesítmény tengerszint felett 305 méterenként körülbelül 3,5%-kal csökken, és 16 °C feletti környezeti hőmérséklet esetén 6 °C-onként körülbelül 1%-kal csökken.

	Husqvarna G1300P	Husqvarna G1300P	Husqvarna G2500P	Husqvarna G2500P	Husqvarna G3200P
Névleges teljesítmény, W	800	1000	2000	2500	2800
Feszültség, V	230	110/220 120/240	230	110/220 120/240	230
Névleges frekvencia, Hz	50	60	50	60	50
Fázis	1	1	1	1	1
Nettó tömeg, kg	28,0	28,0	43,0	43,0	49,0
Bruttó tömeg, kg	29,2	29,2	45,0	45,0	51,0
Csomagolási méret, mm	500X375X435	500X375X435	500X375X435	500X375X435	625X495X495
Olajtartály úrtartalma, l	0,45	0,45	0,6	0,6	0,6
Szikraköz, mm/hüvelyk	0,76/0,030	0,76/0,030	0,76/0,030	0,76/0,030	0,76/0,030
Típus	Benzin	Benzin	Benzin	Benzin	Benzin
Mért hangteljesítményszint, dB (A)			95	95	96
Garantált hangteljesítményszint, dB (A)			95	95	96

	Husqvarna G3200P	Husqvarna G5500P	Husqvarna G5500P	Husqvarna G8500P	Husqvarna G8500P
Lökettérfogat, cm <sup>3</sup>	212	389	389	458	458
Csúcsteljesítmény, W <sup>14</sup>	3200	5500	6000	8000	8500
Névleges teljesítmény, W	3000	5000	5500	7500	8000
Feszültség, V	110/220 120/240	230	110/220 120/240	230	110/220 120/240
Névleges frekvencia, Hz	60	50	60	50	60
Fázis	1	1	1	1	1
Nettó tömeg, kg	49,0	88,0	88,0	106,4	106,4
Bruttó tömeg, kg	51,0	91,0	91,0	109,5	109,5

<sup>14</sup> A maximális watt-teljesítmény olyan tényezőktől függ, illetve olyan tényezők korlátozzák, mint például az üzemanyag energiataralma, a környezeti hőmérséklet, a tengerszint feletti magasság, a motor állapota stb. A maximális teljesítmény tengerszint felett 305 méterenként körülbelül 3,5%-kal csökken, és 16 °C feletti környezeti hőmérséklet esetén 6 °C-onként körülbelül 1%-kal csökken.



	Husqvarna G3200P	Husqvarna G5500P	Husqvarna G5500P	Husqvarna G8500P	Husqvarna G8500P
Csomagolási méret, mm	625X495X495	720X560X585	720X560X585	720X560X585	720X560X585
Olajtartály űrtartalma, l	0,6	1,1	1,1	1,1	1,1
Szikrakóz, mm/hüvelyk	0,76/0,030	0,76/0,030	0,76/0,030	0,76/0,030	0,76/0,030
Típus	Benzin	Benzin	Benzin	Benzin	Benzin
Mért hangteljesítményszint, dB (A)	96				
Garantált hangteljesítményszint, dB (A)	96				

## Watt-teljesítményre vonatkozó útmutató

**Megjegyzés:** Az összes szám hozzávetőleges.

A watt-teljesítménnyel kapcsolatos követelmények a készüléken lévő adatcímkén találhatóak.

Készülék	Működés közbeni watt-teljesítmény	További indítási watt-teljesítmény
<b>Vészhelyzet</b>		
Hűtőszekrény/fagyasztó	700	1500
Rádió	100	0
<b>Munka helye</b>		
Légkompresszor – ½ LE	1000	1000
Asztali fűrész – 10"	1700	1300
Szalagcsiszoló gép – 3"	1200	1200
Kézi fűrő – ½"	600	600
Halogén munkalámpa	1000	0
Lengőfűrész	900	900
<b>Szabadidő</b>		
AM/FM rádió	100	0
Elektromos grillsütő	1700	0
Felfújó pumpa, 50	100	-
CD-/DVD-lejátszó	100	0
Dobozos ventilátor – 20"	200	200
Kávéfőző	600	0
<b>Háztartás</b>		

<b>Készülék</b>	<b>Működés közbeni watt-teljesítmény</b>	<b>További indítási watt-teljesítmény</b>
Számítógép monitorral	800	0
Elektromos ruhaszárító	5500	500
Elektromos hatótávolság	2100	0
Elektromos vízmelegítő	2000	0
Izzó – 100 W	100	0
Mikrohullámú sütő – 1000 W	1000	200
Zsompzivattyú – ½ LE	1000	1100
Televízió	400	0
Mosógép	1100	1100
Kútszivattyú – ½ LE	1000	1000
<b>Pázsit és kert</b>		
Sövénynyíró	400	400
Nagynyomású mosóberendezés	1200	1200
Fűnyíró	1200	1200
Szélező	1000	1000
<b>Fűtés és hűtés</b>		
Központi légkondicionáló berendezés – 10000 BTU	1500	1500
Kemenceventilátor – ½ LE	900	1400
Helyiségfűtő berendezés	1800	0
Ablakba szerelt légkondicionáló berendezés – 10000 BTU	1200	600

---

# EK megfelelési nyilatkozat

---

## EK-megfelelési nyilatkozat

Az alábbi gépekhez:

- Terméknév: Hordozható generátor
- Funkció: Kis teljesítményű áramfejlesztő készlet
- Típuszám: G 2500P, G 3200P
- Sorozatszám: 1945013770, 1945013793 és újabb verziók

**ezúton megerősítjük, hogy teljesíti a következő irányelv minden vonatkozó rendelkezését:**

- gépekről szóló irányelv (2006/42/EC),
- kisfeszültségű elektromos berendezésekre vonatkozó irányelv (2014/35/EU),
- A veszélyes anyagok korlátozásáról szóló (RoHS) irányelv (2011/65/EU)
- elektromágneses megfeleléssel kapcsolatos irányelv (2014/30/EU),
- kültéren használatos berendezésekre vonatkozó zajkibocsátási irányelv (2000/14/EC + 2005/88/EC)

**és megfelel az alábbi harmonizált szabványok követelményeinek:**

- EN ISO 8528-13:2016, EN 61000-6-1:2007; EN 55012:2007+A1

**Megfelelőségértékelési eljárás: 2000/14/EK, módosította a 2005/88/EK- VI. melléklete**

A zajjal kapcsolatos tanúsítást a TÜV Rheinland LGA Products GmbH (Tillystraße 2 - 90431 Nürnberg, Németország), a gépek bejelentett szervezete (0197 sz. bejelentés) végezte. A zajkibocsátásra vonatkozó tájékoztatást illetően tekintse át a következőt: *Műszaki adatok 127. oldalon.*

Huskvarna, 2020. 06. 10.



Claes Losdal, Fejlesztési Igazgató/Kertművelési termékek (a Huskvarna AB hivatalos képviselője és a műszaki dokumentációk felelőse).

---

## Sommario

---

Introduzione.....	132	Manutenzione.....	140
Sicurezza.....	135	Ricerca guasti.....	143
Montaggio.....	138	Preparazione del prodotto per l'immagazzinamento a lungo termine.....	145
Installazione.....	138	Dati tecnici.....	145
Utilizzo.....	139	Dichiarazione di conformità CE.....	149

---

## Introduzione

---

### Descrizione del prodotto

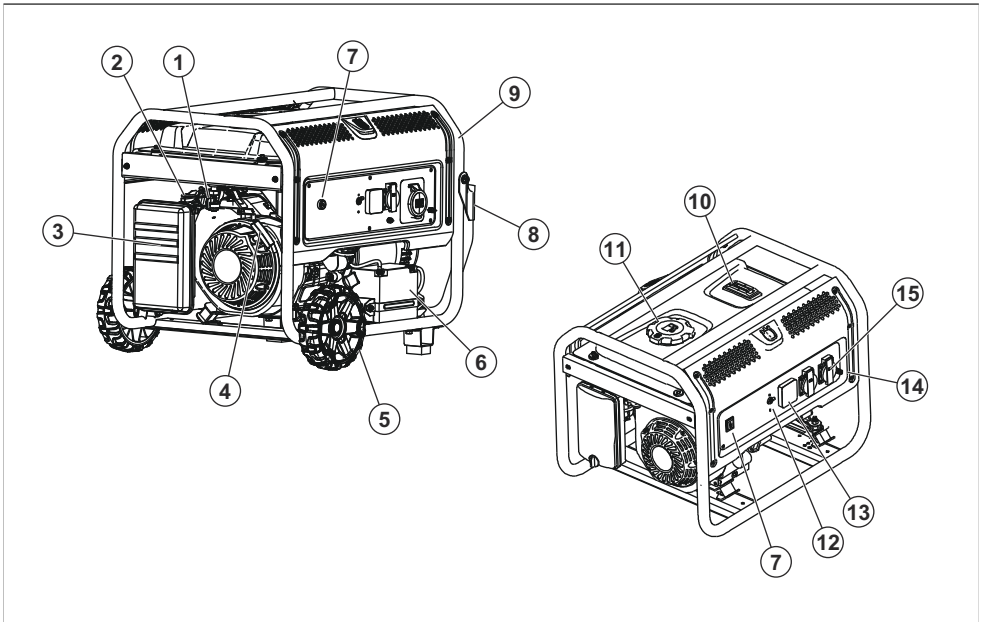
Il prodotto è un generatore portatile con motore a combustione.

un'alimentazione elettrica. Non utilizzare il prodotto per altre attività.

### Uso previsto

Il prodotto fornisce alimentazione elettrica per azionare dispositivi elettrici in luoghi in cui non è disponibile

### Illustrazione del prodotto



- |   |  |
|---|--|
| 1. Valvola del carburante               | 8. Impugnatura                         |
| 2. Valvola dell'aria                    | 9. Telaio                              |
| 3. Filtro dell'aria                     | 10. Spia carburante                    |
| 4. Impugnatura della fune di avviamento | 11. Tappo del serbatoio del carburante |
| 5. Ruota                                | 12. Interruttori di circuito CA        |
| 6. Batteria                             | 13. Misuratore digitale                |
| 7. Interruttore di corrente             | 14. Terminale di massa                 |

## 15. Presa CA

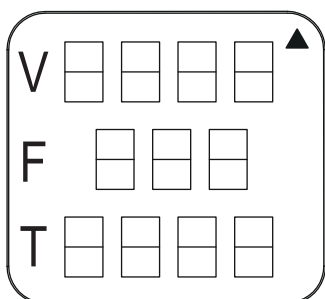
### Terminale da 12 V CC

Il terminale da 12 V CC è una fonte di alimentazione per le unità da 12 V CC.



### Misuratore digitale

Il misuratore digitale mostra la tensione, la frequenza e il tempo di funzionamento totale del prodotto.



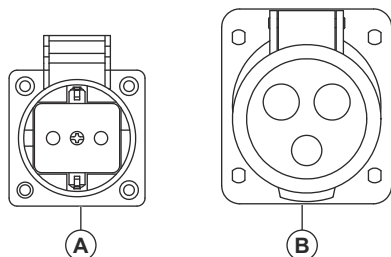
### Prese CA

Il prodotto presenta diverse prese CA per fornire alimentazione ad utensili e apparecchiature. Le prese CA differiscono in base alle diverse aree di mercato.

UE, monofase, 50 Hz

A: Presa a 2 poli da 230 V.

B: Presa a 3 poli da 32 A 230 V.

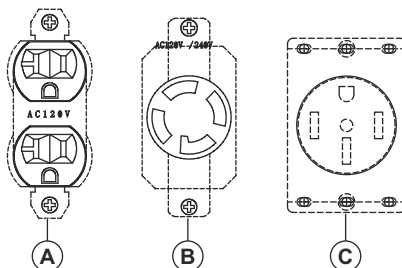


US, monofase, 60 Hz

A: Presa duplex a 3 poli da 120 V.

B: Presa twist lock a 4 poli da 30 A 120/240 V.

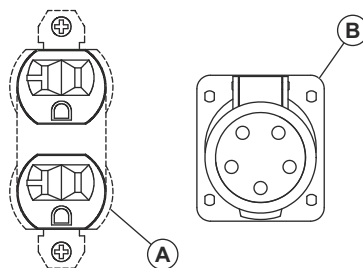
C: Presa a 4 poli da 50 A 120/240 V.



US, trifase, 60 Hz

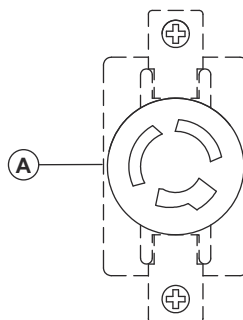
A: Presa duplex a 3 poli da 110 V.

B: Presa a 5 poli trifase da 127/220 V.



CN, monofase, 50 Hz

A: Presa twist lock a 3 poli da 230 V.



## Simboli riportati sul prodotto



**AVVERTENZA!** prestare attenzione e utilizzare il prodotto correttamente. Il prodotto può causare gravi lesioni o morte dell'operatore o altre persone.



Leggere attentamente il Manuale dell'operatore e accertarsi di aver compreso le relative istruzioni prima di utilizzare questo prodotto.



Rischio di incendio o esplosione.



Rischio di avvelenamento da monossido di carbonio. Non utilizzare il prodotto in aree con una circolazione dell'aria insufficiente.



Rischio di scosse elettriche.



Rischio di ustioni.



Aggiungere olio.



Aggiungere carburante.



Aprire la valvola del carburante.



Regolare l'interruttore di corrente in posizione ON.



Regolare il comando dell'aria in posizione OFF.



Regolare il comando dell'aria in posizione ON.



Tirare l'impugnatura di avviamento.



Collegare i carichi elettrici.



Scollegare i carichi elettrici.



Chiudere la valvola del carburante.



Emissioni di rumore nell'ambiente in conformità alla Direttiva Europea 2000/14/CE e alla norma del Nuovo Galles del Sud in materia di protezione dell'ambiente "Protection of the Environment Operations (Noise Control) Regulation 2017". I dati sulle emissioni di rumore sono riportati sull'etichetta della macchina e nel capitolo Dati tecnici.



Non utilizzare il prodotto in interni.



Utilizzare il prodotto in esterni. Tenere il prodotto lontano da finestre, porte o sfati.



Regolare il comando dell'aria in posizione ON e attendere 50 secondi.

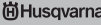



Regolare il comando dell'aria in posizione OFF e attendere 50 secondi.



Attendere 30 secondi e regolare l'interruttore di corrente in posizione OFF.

# Piastrina modello

	Prod. year 0000
Product	<input type="text"/>
Serial No.	<input type="text"/>
Article No.	<input type="text"/>
Model	<input type="text"/>
Weight	<input type="text"/>
Rated current	<input type="text"/>
Max Power	<input type="text"/>
COP Power	<input type="text"/>
Voltage	<input type="text"/>
Rated Frequency	<input type="text"/>
Power factor	<input type="text"/>
Performance class	<input type="text"/>
Quality class	<input type="text"/>
Protection class	<input type="text"/>
Husqvarna AB SE-561 82 Huskvarna Sweden	Low-power generating set 

## Sicurezza

### Definizioni di sicurezza

Le avvertenze, le precauzioni e le note sono utilizzate per evidenziare le parti importanti del manuale.



**AVVERTENZA:** Utilizzato se è presente un rischio di lesioni o morte dell'operatore o di passanti nel caso in cui le istruzioni del manuale non vengano rispettate.



**ATTENZIONE:** Utilizzato se è presente un rischio di danni al prodotto, ad altri materiali oppure alla zona adiacente nel caso in cui le istruzioni del manuale non vengano rispettate.

**Nota:** Utilizzato per fornire ulteriori informazioni necessarie in una determinata situazione.

### Istruzioni di sicurezza generali



**AVVERTENZA:** Leggere e comprendere le seguenti avvertenze prima di utilizzare il prodotto.

- Prima dell'uso, leggere e comprendere il manuale dell'operatore e le decalcomanie di sicurezza sul prodotto. La sicurezza personale e la sicurezza degli altri è vostra responsabilità.
- Attenersi alle istruzioni contenute nel manuale dell'operatore.
- Non è possibile fornire un'avvertenza per ogni situazione che si può verificare durante il

funzionamento e la manutenzione del prodotto. Usare la massima cautela e il buon senso.

### Sicurezza per l'uso del carburante



**AVVERTENZA:** Leggere e comprendere le seguenti avvertenze prima di utilizzare il prodotto.

- La benzina è altamente infiammabile, e i suoi vapori sono esplosivi. Non fumare, non usare fiamme libere, e non produrre scintille o fonti di calore nelle vicinanze quando si maneggia la benzina.
- Non aggiungere mai carburante mentre il prodotto è in funzione o caldo. Lasciar raffreddare completamente il motore prima di aggiungere carburante.
- Non riempire il serbatoio del carburante in ambienti chiusi.
- Rispettare tutte le leggi che regolano lo stoccaggio e l'utilizzo della benzina.
- Non riempire eccessivamente il serbatoio del carburante. Lasciare sempre spazio per consentire l'espansione del carburante. Se il serbatoio del carburante è troppo pieno, il carburante può traboccare sul motore caldo e provocare un incendio o un'esplosione.
- Non conservare mai il prodotto con il carburante nel serbatoio dove i vapori di benzina possono raggiungere fiamme libere, scintille o fiamme pilota (di un forno, uno scaldabagno o un asciugabiancheria). Possono verificarsi incendi o esplosioni. Far raffreddare completamente il prodotto prima del rimessaggio.
- Eliminare immediatamente eventuali fuoriuscite di carburante od olio. Accertarsi che non rimangano materiali combustibili sul prodotto o nelle sue

vicinanze. Mantenere l'area circostante il prodotto pulita e priva di detriti. Mantenere un gioco di 5 piedi su tutti i lati per consentire una corretta ventilazione del prodotto.

- Non utilizzare il prodotto in caso di surriscaldamento di un dispositivo elettrico collegato, di perdita di potenza elettrica in uscita, o in presenza di fiamme o fumo mentre il prodotto è in funzione.
- Tenere sempre un estintore vicino al prodotto.
- Evitare di versare il carburante su un motore caldo.
- Non fumare o accendere sigarette vicino al prodotto o al carburante.
- Scaricare il carburante all'esterno nei contenitori approvati, lontano da fiamme libere. Accertarsi che il motore sia freddo.

## Sicurezza dello scarico



**AVVERTENZA:** Leggere e comprendere le seguenti avvertenze prima di utilizzare il prodotto.

- Non utilizzare mai il prodotto in un'area chiusa o in interni! Non utilizzare mai il prodotto in casa, in un veicolo o in aree parzialmente chiuse come ad esempio garage, anche se porte e finestre sono aperte! Utilizzare il prodotto solo in esterni e lontano da finestre aperte, porte, sfiate e in una zona che non accumuli gas mortali.
- I gas di scarico del motore contengono monossido di carbonio, che non si possono vedere né annusare. Questo gas velenoso, se respirato a una concentrazione sufficiente, può causare perdita di coscienza o addirittura la morte.
- Un flusso adeguato e senza ostacoli dell'aria di raffreddamento e ventilazione è fondamentale per il corretto funzionamento del prodotto. Non alterare l'installazione o consentire l'ostruzione anche parziale delle misure di ventilazione, poiché ciò può compromettere seriamente il funzionamento del prodotto in sicurezza. Il prodotto deve essere utilizzato in esterni.
- Utilizzare sempre un allarme a batteria per il monossido di carbonio in interni, installato in base alle istruzioni del produttore.
- In caso di malessere, vertigini o debolezza dopo l'utilizzo del prodotto, portarsi immediatamente all'aria aperta. Rivolgersi a un medico poiché potrebbe essere in atto un avvelenamento da monossido di carbonio.

## Sicurezza elettrica



**AVVERTENZA:** Leggere e comprendere le seguenti avvertenze prima di utilizzare il prodotto.

- Durante il funzionamento, il prodotto produce una tensione pericolosamente elevata. Evitare il contatto

con cavi, terminali, collegamenti nudi ecc. mentre il prodotto è in funzione, anche su apparecchiature collegate al prodotto. Prima di utilizzare il prodotto, accertarsi che vi siano tutti gli appositi coperchi, protezioni e barriere.

- Non maneggiare mai alcun tipo di filo o dispositivo elettrico stando in piedi in acqua, a piedi nudi o con le mani o i piedi bagnati. Possono verificarsi scariche elettriche pericolose.
- Alcuni paesi potrebbero richiedere il corretto collegamento del telaio e delle parti esterne elettricamente conduttive del prodotto a una messa a terra approvata. In alcuni paesi potrebbe anche essere richiesta un'appropriata messa a terra del prodotto. Consultare un elettricista locale per i requisiti di messa a terra nella zona.
- Utilizzare un interruttore di circuito per guasto a terra (GFCI) in zone umide o altamente conduttive (come ad esempio sotto una copertura metallica o carpenteria metallica).
- Non utilizzare insieme al prodotto cavi elettrici usurati, scoperti, consumati o in altro modo danneggiati.
- In caso di incidente causato da una scossa elettrica, spegnere immediatamente la fonte di alimentazione elettrica. Se ciò non fosse possibile, cercare di liberare la vittima dal conduttore sotto tensione. Evitare il contatto diretto con la vittima. Utilizzare uno strumento non conduttivo, come una fune o una tavola, per liberare la vittima dal conduttore sotto tensione. Se la vittima non è cosciente, prestare il primo soccorso e cercare un'assistenza medica immediata.

## Istruzioni di sicurezza per l'utilizzo



**AVVERTENZA:** Leggere e comprendere le seguenti avvertenze prima di utilizzare il prodotto.

- Utilizzare il prodotto solo su superfici piane e dove non sarà esposto a umidità eccessiva, sporcizia, polvere o vapori corrosivi.
- Tenere le mani, i piedi, gli indumenti ecc. lontano da cinghie di trasmissione, ventole e altre parti in movimento. Non rimuovere mai le protezioni delle ventole mentre l'unità è in funzione.
- Alcune parti del generatore diventano estremamente calde durante il funzionamento. Tenersi lontani dal generatore finché non si è raffreddato per evitare gravi ustioni.
- Non utilizzare il prodotto in presenza di pioggia.
- Non modificare la struttura del prodotto o i comandi, in quanto potrebbero verificarsi condizioni di funzionamento non sicure.
- Non avviare o arrestare il prodotto con carichi elettrici collegati alle prese e con i dispositivi connessi accesi. Avviare il motore e lasciarlo stabilizzare prima di collegare i carichi elettrici.



Scollegare tutti i carichi elettrici prima di spegnere il generatore.

- Non inserire oggetti attraverso le feritoie di raffreddamento del prodotto, anche se il motore non è in funzione.
- Quando si lavora su questa apparecchiatura, prestare sempre la massima attenzione. Non lavorare mai sull'apparecchiatura in caso di stanchezza fisica o mentale.
- Non pestare mai il prodotto o le sue parti. Pestare il prodotto può sollecitare e danneggiare i componenti, e può causare condizioni di funzionamento pericolose per via di perdite di gas di scarico, perdite di carburante, perdite di olio, ecc.
- Assicurarsi di essere a conoscenza di tutti i comandi e tutte le regolazioni prima del funzionamento.
- Non sovraccaricare il prodotto. Non sovraccaricare neanche le singole prese da pannello. Queste uscite sono protette dal sovraccarico con gli interruttori di circuito. Se si supera l'ampereaggio di qualsiasi interruttore di circuito, l'interruttore in questione si apre e vi è una perdita di potenza elettrica in uscita verso tale presa.
- Non avviare o arrestare mai il motore con i dispositivi elettrici collegati alle prese e i dispositivi accesi.

### Dispositivi di sicurezza sul prodotto

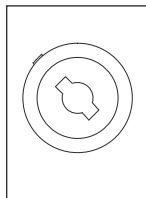
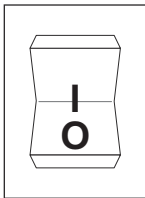


**AVVERTENZA:** Leggere le seguenti avvertenze prima di utilizzare il prodotto.

- Non utilizzare un prodotto con dispositivi di sicurezza difettosi.
- Effettuare un controllo dei dispositivi di sicurezza con regolarità. Se i dispositivi di sicurezza sono difettosi, rivolgersi alla propria officina Husqvarna.

### Interruttore di corrente

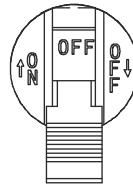
Utilizzare l'interruttore di corrente per avviare e arrestare il motore.



### Interruttori di circuito

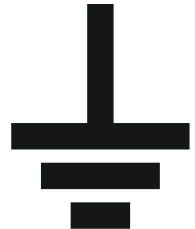
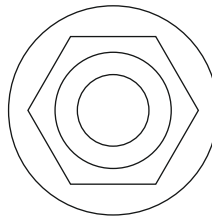
Gli interruttori di circuito impediscono il sovraccarico del prodotto. Le informazioni sul valore nominale

dell'interruttore di circuito sono visualizzate accanto all'interruttore stesso.



### Terminale di massa

Il terminale di massa garantisce che il prodotto sia collegato correttamente a massa. Prima del funzionamento è necessario collegare un cavo di terra al terminale di massa.



### Istruzioni di sicurezza per la manutenzione



**AVVERTENZA:** Leggere e comprendere le seguenti avvertenze prima di eseguire la manutenzione del prodotto.

- Per motivi di sicurezza, il costruttore consiglia di far eseguire la manutenzione di questa attrezzatura da parte di un Rivenditore Autorizzato. Ispezionare regolarmente il generatore e contattare il più vicino Rivenditore Autorizzato per le parti che necessitano di riparazione o sostituzione.
- Questo prodotto presenta una marmitta dotata di una retina parascintille. La retina parascintille deve essere mantenuta in perfette condizioni dal proprietario/dall'operatore.
- Il sistema di scarico deve essere sottoposto a un'adeguata manutenzione. Non eseguire alcuna operazione che potrebbe rendere il sistema di scarico non sicuro o non conforme alle normative e/o agli standard vigenti a livello locale.
- Prima di eseguire la manutenzione del prodotto, scollegare la batteria per l'avviamento del motore (se in dotazione) per evitare l'avviamento accidentale.

Scollegare prima il cavo dal morsetto della batteria indicato da un segno negativo, NEG o (-). Ricollegare quel cavo per ultimo.

- Qualsiasi tentativo di avviamento del motore prima che sia stato sottoposto a un adeguato intervento di manutenzione con l'olio consigliato può causare un guasto al motore.
- Quando si lavora sul prodotto scollegare sempre il cappuccio della candela da essa, e tenerlo lontano dalla candela.

- L'olio caldo può causare ustioni. Lasciar raffreddare il motore prima di scaricare olio. Evitare l'esposizione prolungata o ripetuta della pelle all'olio usato. Lavare a fondo con sapone le zone esposte.
- La garanzia del prodotto non si estende agli apparecchi utilizzati in maniera scorretta dall'operatore. La garanzia sarà completa se l'operatore avrà seguito le istruzioni di manutenzione riportate nel presente manuale dell'operatore.

## Montaggio

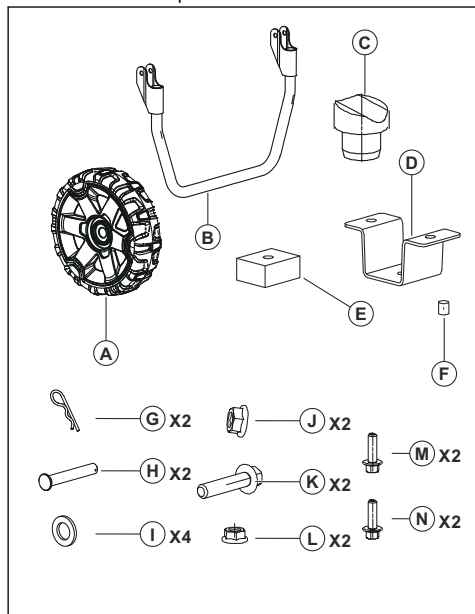
### Introduzione



**AVVERTENZA:** Leggere e comprendere il capitolo sulla sicurezza prima di montare il prodotto.

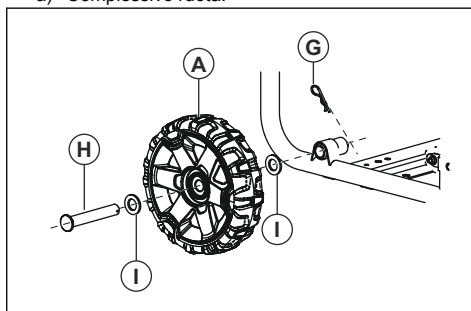
### Per il montaggio del kit di accessori (G5500P, G8500P)

1. Conoscere i componenti del kit di accessori.

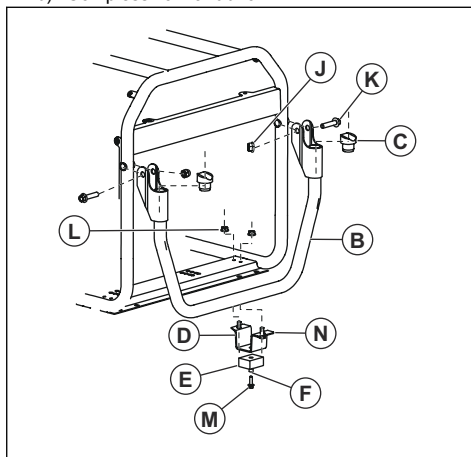


2. Assemblare il kit di accessori. Fare riferimento alle figure.

a) Complessivo ruota:



b) Complessivo manubrio:



## Installazione

### Introduzione



**AVVERTENZA:** Leggere e comprendere il capitolo sulla sicurezza prima di installare il prodotto.

### Per collegare a massa il prodotto



**AVVERTENZA:** Il prodotto deve essere collegato a massa da una persona con una buona esperienza e conoscenza

nel campo dell'elettricità. In alcune zone, l'installazione deve essere eseguita da un elettricista approvato. Rispettare le norme locali.

1. Montare nel terreno un'asta di messa a terra ad almeno 24 pollici.



**AVVERTENZA:** L'asta di messa a terra deve essere in ottone o rame.

2. Collegare un cavo di terra da 2,5 mm<sup>2</sup> dal terminale di massa sul pannello di controllo a un'asta di messa a terra.

**Nota:** Il cavo di terra e l'asta di messa a terra non sono forniti con il prodotto.

## Per collegare il prodotto all'impianto elettrico di un edificio



**AVVERTENZA:** Il prodotto deve essere collegato a massa da una persona con una buona esperienza e conoscenza nel campo dell'elettricità. In alcune zone, l'installazione deve essere eseguita da un elettricista approvato. Rispettare le norme locali.

- Utilizzare soltanto prese, spine e cavi standard approvati per collegare il prodotto a un impianto elettrico.
- Accertarsi di eseguire la procedura in conformità con tutte le normative nazionali e locali.

## Utilizzo

### Introduzione



**AVVERTENZA:** Leggere e comprendere il capitolo sulla sicurezza prima di utilizzare la macchina.

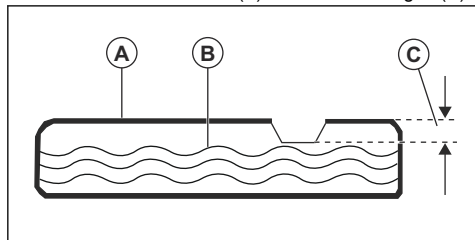
### Per il rifornimento del carburante

Utilizzare benzina senza piombo. Non utilizzare benzina con oltre il 10% di etanolo e non utilizzare benzina E85.



**ATTENZIONE:** Non miscelare la benzina con l'olio.

1. Arrestare il motore e far raffreddare il prodotto. Fare riferimento a *Arresto dell'unità alla pagina 140*.
2. Assicurarsi che il prodotto sia in piano e in una zona con un buon flusso d'aria.
3. Rimuovere il tappo del serbatoio del carburante.
4. Riempire con cautela il serbatoio del carburante (A). Rabboccare carburante (B) fino al contrassegno (C).



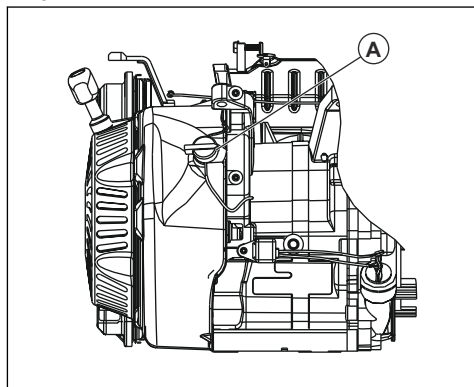
5. Rimuovere dal prodotto eventuali fuoriuscite di carburante.



**ATTENZIONE:** La fuoriuscita di carburante rappresenta un rischio di incendio e può danneggiare l'ambiente.

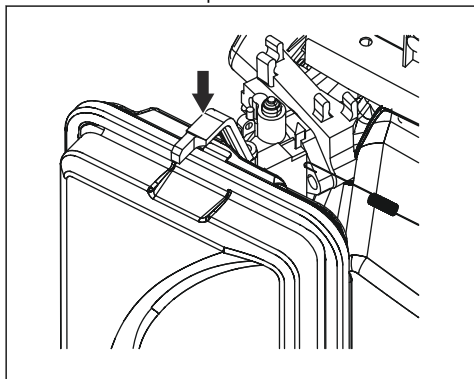
### Avviamento del prodotto

1. Scollegare tutti i carichi elettrici dalle prese sul pannello di controllo.
2. Accertarsi che il prodotto si trovi su una superficie piana.
3. Aprire la valvola del carburante.
4. Regolare l'interruttore di corrente (A) in posizione ON.



5. Regolare il comando dell'aria in posizione OFF.
6. Tirare lentamente l'impugnatura di avviamento finché non si avverte una resistenza.
7. Tirare l'impugnatura della fune di avviamento rapidamente e con forza fino a quando non si avvia il motore.

8. Per l'avviamento elettrico procedere come segue.
  - a) Tenere premuto il tasto ON/OFF/START in posizione di avvio.
  - b) Quando il motore si avvia, portare il tasto ON/OFF/START in posizione ON.
9. Spostare il comando dell'aria in posizione ½.
10. Quando il motore funziona uniformemente, portare il comando dell'aria in posizione ON.



**Nota:** Per G1300P, le posizioni ON e OFF del comando dell'aria sono in posizione opposta.

3. Accertarsi che non vi sia sovraccarico nel prodotto. Fare riferimento a *Per evitare un sovraccarico nel prodotto alla pagina 140.*

## Per evitare un sovraccarico nel prodotto

Un sovraccarico nel prodotto può causare danni al prodotto stesso e ai dispositivi elettrici collegati. Procedere nel modo seguente per evitare un sovraccarico nel prodotto.

- Aggiungere la quantità totale di W di tutti i dispositivi elettrici da collegare allo stesso tempo.



**ATTENZIONE:** Il valore di W totale non deve essere superiore alla capacità W del prodotto.

- Come valore di W nominale delle luci può essere utilizzato quello delle lampadine. Il valore di W nominale degli attrezzi, dell'attrezzatura e dei motori è riportato su una decalcomania sul dispositivo.
- Se non è specificata alcuna quantità di W nel prodotto, nell'attrezzo o nell'apparecchiatura, moltiplicare V per il valore nominale A.
- Collegare sempre prima i dispositivi elettrici con il valore di W all'avviamento più alto al prodotto. Quindi aggiungere il valore di W di tutti gli altri carichi elettrici collegati.

## Per collegare i carichi elettrici



**AVVERTENZA:** Non collegare 240 (230) V alle prese da 120 (110) V. Non collegare carichi elettrici trifase a un prodotto monofase. Non collegare carichi elettrici da 50 Hz a un prodotto da 60 Hz.

1. Avviare il motore e lasciarlo riscaldare per qualche minuto. Fare riferimento a *Avviamento del prodotto alla pagina 139.*
2. Collegare e avviare i carichi elettrici.

## Arresto dell'unità

1. Arrestare e scollegare i carichi elettrici dalle prese sul pannello di controllo.



**AVVERTENZA:** Non arrestare il motore se i carichi elettrici sono accesi e collegati al prodotto.

2. Lasciare il motore in funzione senza carico per 30 secondi.
3. Regolare l'interruttore di corrente in posizione OFF.
4. Chiudere la valvola del carburante.

# Manutenzione

## Introduzione



**AVVERTENZA:** Leggere attentamente il capitolo sulla sicurezza prima di eseguire la manutenzione del prodotto.

## Programma di manutenzione

\* Pulire a intervalli più regolari se il prodotto viene utilizzato in condizioni con molta polvere.

\*\* Gli interventi di manutenzione devono essere affidati a un'officina autorizzata.

Manutenzione	Manutenzione giornaliera prima del funzionamento	Intervallo di manutenzione in ore				
		Ogni 20 ore o ogni mese	Ogni 50 ore o ogni 3 mesi	100 ore oppure ogni 6 mesi	Ogni 300 ore o 1 volta l'anno	Ogni 2 anni
Pulire il prodotto.	X					
Effettuare un controllo del livello dell'olio motore.	X					
Eseguire il controllo del filtro dell'aria.	X					
Pulire il filtro dell'aria.	X					
Controllare la coppa dei depositi.	X					
Cambiare l'olio motore.		X*				
Pulire o sostituire il filtro dell'aria.			X*			
Controllare e pulire la candela.				X		
Controllare il regime minimo. Regolare il regime minimo se necessario.					X**	
Controllare il gioco della valvola. Regolare il gioco della valvola se necessario.					X**	
Pulire il serbatoio carburante, il filtro carburante e il carburatore.					X**	
Pulire la camera di combustione.					X**	
Se necessario, sostituire le tubazioni del carburante.						X**

## Pulizia del prodotto



**ATTENZIONE:** Non utilizzare acqua per pulire il prodotto. L'acqua può causare danni al prodotto.

- Utilizzare un panno umido per pulire le superfici esterne del prodotto.
- Utilizzare una spazzola morbida per rimuovere sporcizia e olio.
- Utilizzare un aspirapolvere per rimuovere la sporcizia e i materiali indesiderati dal prodotto.
- Utilizzare aria compressa per rimuovere la sporcizia dalle feritoie di raffreddamento e da altre aperture sul prodotto.



**ATTENZIONE:** La pressione dell'aria compressa non deve essere superiore a 25 psi.

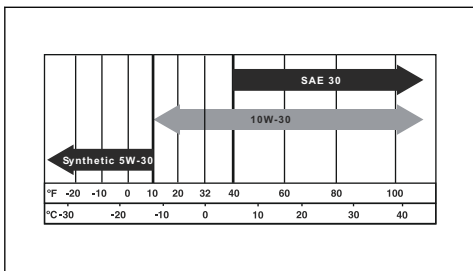
## Per controllare il livello dell'olio motore



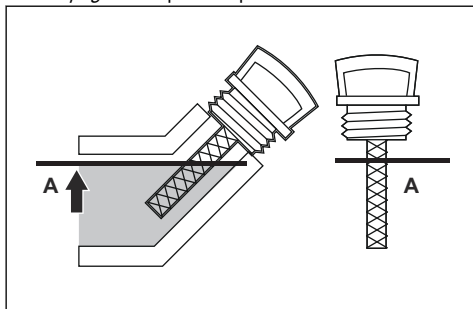
**ATTENZIONE:** Non utilizzare il prodotto con un livello dell'olio motore basso. Si possono causare danni al motore.



**ATTENZIONE:** Utilizzare olio motore con classe SJ, classe SL o superiore di API (American Petroleum Institute). Non utilizzare additivi specifici. Selezionare un intervallo di viscosità adatto alla temperatura ambiente. Fare riferimento alla seguente illustrazione.



1. Arrestare completamente il prodotto e assicurarsi che sia in piano.
2. Pulire la zona intorno al serbatoio dell'olio.
3. Rimuovere il tappo del serbatoio dell'olio e l'asta di livello.
4. Pulire l'olio dall'asta di livello.
5. Reinscrivere completamente l'asta di livello nel serbatoio dell'olio.
6. Rimuovere l'asta di livello.
7. Controllare il livello dell'olio motore sull'asta di livello.
8. Se il livello dell'olio motore è basso, rabboccare olio motore finché esso non raggiunge il contrassegno (A) sull'asta di livello. Fare riferimento a *Dati tecnici alla pagina 145* per la capacità del serbatoio dell'olio.



9. Effettuare di nuovo un controllo del livello dell'olio motore.
10. Montare il tappo del serbatoio dell'olio e l'asta di livello.

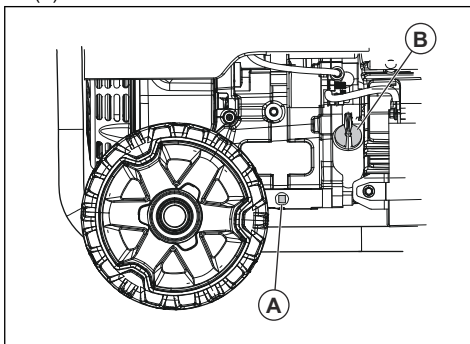
## Cambio dell'olio motore

**Nota:** Scaricare l'olio motore quando il motore è caldo. L'olio motore caldo è più veloce da scaricare.



**AVVERTENZA:** L'olio motore diventa molto caldo e può causare ustioni. Lasciare che il motore si raffreddi prima di scaricare l'olio motore.

1. Pulire la zona intorno al tappo di drenaggio dell'olio (A).

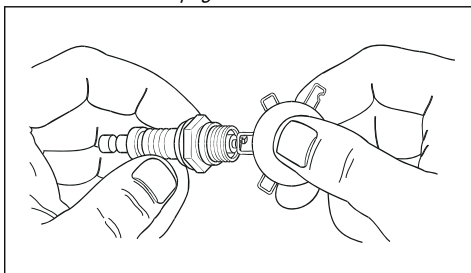


2. Posizionare un contenitore idoneo per il carburante sotto foro di scarico.
3. Rimuovere il tappo di drenaggio dell'olio e il tappo del serbatoio dell'olio (B).
4. Scaricare l'olio del motore nel contenitore.
5. Montare il tappo di drenaggio dell'olio e serrarlo.
6. Rabboccare l'olio motore. Fare riferimento a *Per controllare il livello dell'olio motore alla pagina 141*.
7. Rimuovere l'eventuale olio fuoriuscito.
8. Riciclare l'olio motore usato in un centro di smaltimento autorizzato.

## Sostituzione della candela

Sostituire la candela 1 volta all'anno.

1. Spegnerne il motore.
2. Rimuovere il cappuccio dalla candela.
3. Pulire la zona intorno alla candela e rimuovere la candela dal cilindro.
4. Regolare la distanza tra gli elettrodi. Fare riferimento a *Dati tecnici alla pagina 145*.



5. Montare una nuova candela. Serrare alla coppia di 15 ft/lb.

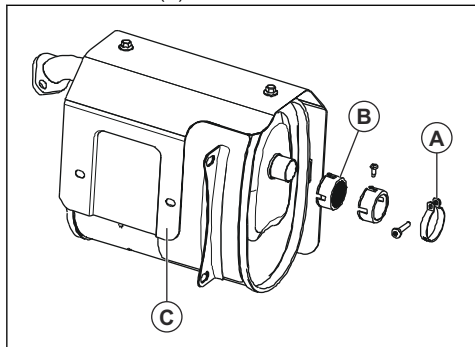
## Per eseguire un controllo della retina parascintille

Controllare e pulire la retina parascintille 1 volta all'anno o più frequentemente se necessario.



**AVVERTENZA:** In alcune zone e condizioni, è necessario utilizzare una retina parascintille per evitare il rischio di incendio. Rispettare le norme locali.

1. Rimuovere la fascetta (A) e la retina parascintille (B) dalla marmitta (C).



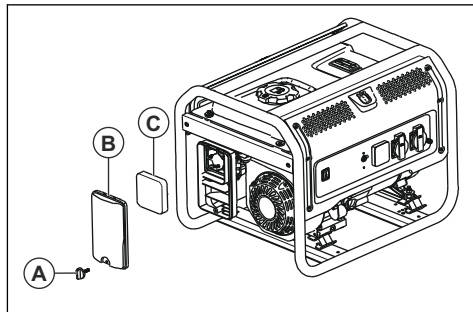
2. Pulire la retina parascintille con solvente reperibile in commercio.
3. Esaminare la retina parascintille per verificare che non sia usurata o danneggiata. Se necessario, sostituire la retina parascintille.



**ATTENZIONE:** Non usare mai il prodotto se la retina parascintille è danneggiata.

## Controllo del filtro dell'aria

1. Rimuovere la manopola (A) e il coperchio del filtro dell'aria.



2. Rimuovere il filtro dell'aria (C).
3. Pulire il filtro dell'aria e il relativo coperchio con acqua e sapone.
4. Far asciugare il filtro dell'aria e il relativo coperchio.
5. Installare il filtro dell'aria, il relativo coperchio e la manopola.

## Ricerca guasti

### Programma di ricerca guasti

Problema	Causa	Soluzione
Il motore si arresta quando il carico è eccessivo.	Il filtro dell'aria non è pulito.	Pulire o sostituire il filtro dell'aria.
	Il motore non è caldo.	Prima di azionare il motore, lasciarlo riscaldare.
Il motore si accende in modo irregolare.	La candela è allentata.	Controllare i collegamenti dei cavi.
	Distanza tra gli elettrodi errata.	Sostituire il cappuccio della candela.
	Il cappuccio della candela è danneggiato.	Sostituire il cappuccio della candela.
	Benzina scaduta o di bassa qualità.	Rifornimento carburante.
	Compressione errata.	Regolare la compressione.

Problema	Causa	Soluzione
Il motore si arresta improvvisamente.	Il livello dell'olio motore è basso.	Rabboccare l'olio motore.
	Il serbatoio del carburante è vuoto o presenta benzina di bassa qualità.	Rifornimento carburante.
	Tappo del serbatoio carburante difettoso.	Sostituire il tappo del serbatoio carburante.
	Magnete difettoso.	Rivolgersi a un centro assistenza autorizzato.
	Il cappuccio della candela non è installato correttamente.	Installare il cappuccio della candela.
Il motore batte in testa.	Benzina scaduta o di bassa qualità.	Rifornimento carburante.
	Sovraccarico nel motore.	Fare riferimento a <i>Per evitare un sovraccarico nel prodotto alla pagina 140.</i>
	Problema meccanico.	Rivolgersi a un centro assistenza autorizzato.
Si verifica un "ritorno di fiamma" del motore.	Benzina di bassa qualità.	Rifornimento carburante.
	Il motore è troppo freddo.	Utilizzare carburante per climi freddi e additivi per olio.
	La valvola di ingresso è bloccata o il motore è troppo caldo.	Rivolgersi a un centro assistenza autorizzato.
	Fasatura dell'accensione errata.	Controllare la fasatura dell'accensione.
Il prodotto non ha alimentazione.	Il prodotto non è collegato alla fonte di alimentazione.	Arrestare il prodotto e scollegarlo. Collegare il prodotto e riavviarlo.
	È scattato un interruttore di circuito.	Arrestare il prodotto e scollegarlo. Riavviare l'interruttore di circuito. Collegare il prodotto e riavviarlo.
	La presa è innestata.	Arrestare il prodotto e scollegarlo. Eseguire un test della presa. Se la presa non è danneggiata, avviare e ricollegare il prodotto.
	È necessario eseguire la manutenzione.	Rivolgersi a un centro assistenza autorizzato.
Il prodotto non funziona correttamente.	Problema con un dispositivo elettrico.	Scollegare il dispositivo elettrico. Rivolgersi a un centro assistenza autorizzato.
	Vi è un carico eccessivo nel prodotto.	Ridurre la quantità di dispositivi elettrici collegati al prodotto.



**ATTENZIONE:** Se il problema persiste, rivolgersi a un centro di assistenza autorizzato.



## Preparazione del prodotto per l'immagazzinamento a lungo termine

Se il prodotto sarà immagazzinato per oltre 30 giorni, procedere come segue. La procedura che segue evita problemi con l'impianto di alimentazione.

1. Aggiungere uno stabilizzatore del carburante. Lo stabilizzatore del carburante deve essere conforme alle raccomandazioni del costruttore.
2. Utilizzare il prodotto per 10-15 minuti.
3. Lasciar raffreddare il motore e svuotare il serbatoio del carburante.



**ATTENZIONE:** Non conservare il carburante a lungo termine. Smettere la benzina non pulita.

4. Avviare il motore e lasciarlo in funzione finché non viene utilizzato tutto il carburante e il prodotto non si arresta.
5. Lasciar raffreddare il motore e sostituire l'olio del motore.
6. Rimuovere il cappuccio della candela e versare ½ oz/15 ml di olio motore nel cilindro.

7. Come protezione posizionare un panno sul foro della candela.
8. Tirare l'impugnatura della fune di avviamento 5 volte per lubrificare le parti del motore.
9. Installare e serrare la candela.



**AVVERTENZA:** Non installare il cappuccio della candela.

10. Pulire il prodotto.
11. Collocare il prodotto in un luogo pulito e asciutto in interni.
12. Come protezione applicare una copertura sul prodotto.



**AVVERTENZA:** Non applicare coperture sul prodotto se è caldo.

## Dati tecnici

### Dati tecnici

	Husqvarna G1300P	Husqvarna G1300P	Husqvarna G2500P	Husqvarna G2500P	Husqvarna G3200P
Cilindrata del motore, cc	98,5	98,5	196	196	212
Potenza di picco, W <sup>15</sup>	1000	1200	2200	2800	3000
Potenza nominale, W	800	1000	2.000	2500	2800
Tensione, V	230	110/220,120/240	230	110/220,120/240	230
Frequenza nominale, Hz	50	60	50	60	50
Fase	1	1	1	1	1
Peso netto, kg	28,0	28,0	43,0	43,0	49,0
Peso lordo, kg	29,2	29,2	45,0	45,0	51,0
Dimensioni della confezione, mm	500X375X435	500X375X435	500X375X435	500X375X435	625X495X495

<sup>15</sup> Il wattaggio massimo è soggetto e limitato da fattori quali l'energia contenuta nel carburante, la temperatura ambiente, l'altitudine, le condizioni del motore, ecc. La potenza massima diminuisce di circa il 3,5% ogni 1.000 piedi sopra il livello del mare, e diminuisce anche di circa l'1% ogni 6 °C (10 °F) oltre la temperatura ambiente di 16 °C (60 °F).

	Husqvarna G1300P	Husqvarna G1300P	Husqvarna G2500P	Husqvarna G2500P	Husqvarna G3200P
Capacità del serbatoio dell'olio, L	0,45	0,45	0,6	0,6	0,6
Distanza tra gli elettrodi, mm/poll.	0,76/0,030	0,76/0,030	0,76/0,030	0,76/0,030	0,76/0,030
Tipo	Benzina	Benzina	Benzina	Benzina	Benzina
Livello di potenza acustica misurato, dB(A)			95	95	96
Livello di potenza acustica garantito, dB(A)			95	95	96

	Husqvarna G3200P	Husqvarna G5500P	Husqvarna G5500P	Husqvarna G8500P	Husqvarna G8500P
Cilindrata del motore, cc	212	389	389	458	458
Potenza di picco, W <sup>16</sup>	3200	5500	6000	8000	8500
Potenza nominale, W	3000	5000	5500	7500	8000
Tensione, V	110/220,120/240	230	110/220,120/240	230	110/220,120/240
Frequenza nominale, Hz	60	50	60	50	60
Fase	1	1	1	1	1
Peso netto, kg	49,0	88,0	88,0	106,4	106,4
Peso lordo, kg	51,0	91,0	91,0	109,5	109,5
Dimensioni della confezione, mm	625X495X495	720X560X585	720X560X585	720X560X585	720X560X585
Capacità del serbatoio dell'olio, L	0,6	1,1	1,1	1,1	1,1
Distanza tra gli elettrodi, mm/poll.	0,76/0,030	0,76/0,030	0,76/0,030	0,76/0,030	0,76/0,030
Tipo	Benzina	Benzina	Benzina	Benzina	Benzina
Livello di potenza acustica misurato, dB(A)	96				

<sup>16</sup> Il wattaggio massimo è soggetto e limitato da fattori quali l'energia contenuta nel carburante, la temperatura ambiente, l'altitudine, le condizioni del motore, ecc. La potenza massima diminuisce di circa il 3,5% ogni 1.000 piedi sopra il livello del mare, e diminuisce anche di circa l'1% ogni 6 °C (10 °F) oltre la temperatura ambiente di 16 °C (60 °F).

	Husqvarna G3200P	Husqvarna G5500P	Husqvarna G5500P	Husqvarna G8500P	Husqvarna G8500P
Livello di potenza acustica garanti- to, dB(A)	96				

## Guida di riferimento wattaggio

**Nota:** Tutti i numeri sono approssimativi. Fare riferimento all'etichetta dati sull'apparecchio per i requisiti di wattaggio.

Dispositivo	W in funzionamento	W supplementari in avviamento
<b>Di emergenza</b>		
Frigorifero/congelatore	700	1500
Radio	100	0
<b>Luogo di lavoro</b>		
Compressore pneumatico - ½ HP	1000	1000
Troncatrice da banco - 10"	1700	1300
Levigatrice a nastro - 3"	1200	1200
Trapano manuale - ½"	600	600
Luce di lavoro alogena	1.000	0
Seghetto alternativo	900	900
<b>Tempo libero</b>		
Radio AM/FM	100	0
Griglia elettrica	1700	0
Pompa di gonfiaggio 50	100	-
Lettore CD/DVD	100	0
Ventilatore a scatola - 20"	200	200
Macchina per il caffè	600	0
<b>Uso domestico</b>		
Computer con monitor	800	0
Asciugabiancheria elettrica	5500	500
Cucina elettrica	2100	0
Scaldabagno elettrico	2.000	0
Lampadina - 100 W	100	0
Microonde - 1000 W	1.000	200
Pompa di estrazione - ½ HP	1.000	1100
Televisione	400	0

<b>Dispositivo</b>	<b>W in funzionamento</b>	<b>W supplementari in avviamento</b>
Lavatrice	1100	1100
Pompa per pozzi - ½ HP	1000	1000
<b>Prato e giardino</b>		
Tagliasiepi	400	400
Idropulitrice	1200	1200
Rasaerba	1200	1200
Tagliabordi	1000	1000
<b>Riscaldamento e raffreddamento</b>		
Climatizzatore centrale - 10000 BTU	1500	1500
Ventola forno - ½ HP	900	1400
Stufetta	1800	0
Climatizzatore da finestra - 10000 BTU	1200	600

---

# Dichiarazione di conformità CE

---

## Dichiarazione di conformità CE

Per le seguenti macchine:

- Nome del prodotto: Generatore portatile
- Funzione: Set generatore a bassa potenza
- N. modello: G 2500P, G 3200P
- N. di serie: 1945013770, 1945013793 e successivi

**con la presente si conferma di rispondere a tutte le disposizioni pertinenti della**

- Direttiva macchine (2006/42/CE).
- Direttiva bassa tensione (2014/35/UE)
- Direttiva RoHS (restrizione delle sostanze pericolose) (2011/65/UE)
- Direttiva sulla compatibilità elettromagnetica (2014/30/UE)
- Direttiva sulle emissioni di rumore da parte delle attrezzature per l'uso all'aperto (2000/14/CE + 2005/88/CE)

**e la conformità alla seguente norma armonizzata:**

- EN ISO 8528-13:2016, EN 61000-6-1:2007; EN 55012:2007+A1

**Procedimento di valutazione della conformità:  
2000/14/CE, modifiche in 2005/88/CE- Allegato VI**

TÜV Rheinland LGA Products GmbH, organo competente per le macchine (notificato al punto 0197), Tillystraße 2 - 90431 Nürnberg, Germania, ha effettuato la certificazione del rumore. Per informazioni sulle emissioni acustiche, fare riferimento a *Dati tecnici alla pagina 145*.

Husqvarna, 10/06/2020



Claes Losdal, Responsabile sviluppo/Prodotti per il giardino (rappresentante autorizzato per Husqvarna AB e responsabile della documentazione tecnica).

# SPIS TREŚCI

Wstęp.....	150	Przegląd.....	159
Bezpieczeństwo.....	153	Rozwiązywanie problemów.....	162
Montaż.....	156	Przygotowanie produktu do długotrwałego przechowywania.....	164
Instalacja.....	157	Dane techniczne.....	164
Przeznaczenie.....	158	Deklaracja zgodności WE.....	168

## Wstęp

### Opis produktu

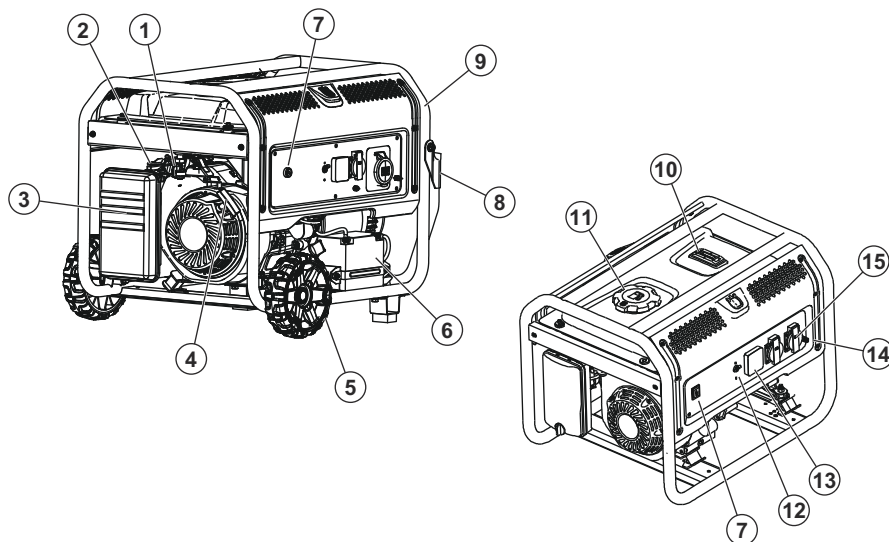
Ten produkt to przenośny agregat prądowłoczy z silnikiem spalinowym.

nie ma zasilania elektrycznego. Nie używać produktu do innych zadań.

### Przeznaczenie

Produkt dostarcza zasilanie elektryczne do obsługi odbiorników energii elektrycznej w miejscach, w których

### Przegląd produktu



1. Zawór paliwa
2. Ssanie
3. Filtr powietrza
4. Rączka linki rozrusznika
5. Koło
6. Akumulator
7. Wylłącznik zasilania

8. Uchwyt
9. Rama
10. Wskaźnik poziomu paliwa
11. Zakrętka zbiornika paliwa
12. Wylłączniki automatycznej prądu przemiennego
13. Licznik VFT
14. Zacisk uziemiający

15. Gniazdo zasilania prądem przemiennym

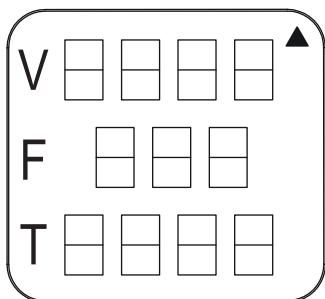
## Zacisk prądu stałego 12 V

Zacisk prądu stałego 12 V jest źródłem zasilania dla urządzeń zasilanych prądem stałym o napięciu 12 V.



## Licznik VFT

Licznik VFT pokazuje napięcie, częstotliwość i łączny czas pracy produktu.



## Gniazda zasilania prądem przemiennym

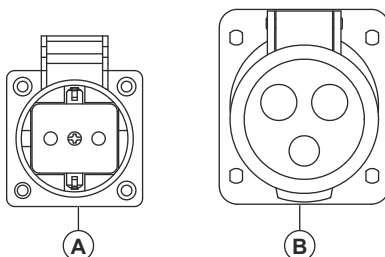
Produkt jest wyposażony w kilka gniazd zasilania prądem przemiennym, które zapewniają zasilanie

narzędzi i urządzeń. Gniazda zasilania prądem przemiennym różnią się w zależności od rynków.

UE, 1-fazowe, 50 Hz

A: 2-stykowe gniazdo 230 V.

B: 3-stykowe gniazdo 32 A, 230 V.

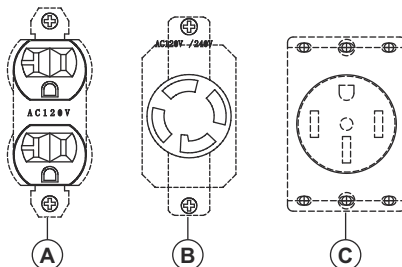


USA, 1-fazowe, 60 Hz

A: 3-stykowe, podwójne gniazdo 120 V.

B: 4-stykowe gniazdo z blokadą „twist lock” 30 A, 120/240 V.

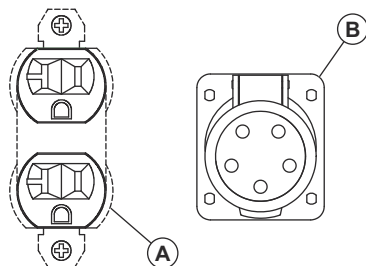
C: 4-stykowe gniazdo 50 A, 120/240 V.



USA, 3-fazowe, 60 Hz

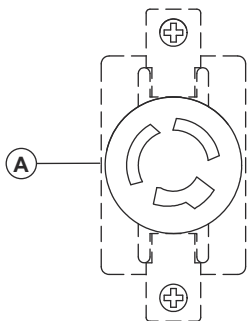
A: 3-stykowe, podwójne gniazdo 110 V.

B: 5-stykowe, 3-fazowe gniazdo 127/220 V.



Kanada, 1-fazowe, 50 Hz

A: 3-stykowe, blokada „twist lock”, gniazdo 230 V.



## Symbole znajdujące się na produkcie



**OSTRZEŻENIE!** Należy zachować ostrożność i prawidłowo korzystać z produktu. Produkt może spowodować poważne obrażenia ciała lub śmierć operatora lub innych osób.



Przed użyciem produktu należy przeczytać uważnie i ze zrozumieniem instrukcję obsługi.



Ryzyko pożaru lub wybuchu.



Ryzyko zatrucia tlenkiem węgla. Nie używać produktu w miejscach o niedostatecznym przepływie powietrza.



Ryzyko porażenia prądem.



Ryzyko poparzenia.



Dolać oleju.



Dolać paliwa.



Otworzyć zawór paliwa.



Ustawić wyłącznik w położeniu ON (wł.).



Ustawić dźwignię ssania w położeniu OFF (wył.).



Ustawić dźwignię ssania w położeniu ON (wł.).



Pociągnąć uchwyt linki rozrusznika.



Podłączyć odbiorniki elektryczne.



Odłączyć odbiorniki elektryczne.



Zamknąć zawór paliwa.



Emisje hałasu do środowiska zgodnie z dyrektywą europejską 2000/14/WE i przepisami Nowej Południowej Walii „Protection of the Environment Operations (Noise Control) Regulation 2017”. Dane dotyczące emisji hałasu można znaleźć na etykiecie maszyny oraz w rozdziale „Dane techniczne”.



Nie używać produktu w pomieszczeniach.



Z produktu należy korzystać na zewnątrz budynków. Produkt należy utrzymywać z dala od okien, drzwi i otworów wentylacyjnych.





Ustawić dźwignię ssania w położeniu ON (wł.) i odczekać 50 sekund.



Ustawić dźwignię ssania w położeniu OFF (wył.) i odczekać 50 sekund.



Odczekać 30 sekund i ustawić wyłącznik w położeniu OFF (wył.).

## Tabliczka znamionowa

	Prod. year 0000
Product	<input type="text"/>
Serial No.	<input type="text"/>
Article No.	<input type="text"/>
Model	<input type="text"/>
Weight	<input type="text"/>
Rated current	<input type="text"/>
Max Power	<input type="text"/>
COP Power	<input type="text"/>
Voltage	<input type="text"/>
Rated Frequency	<input type="text"/>
Power factor	<input type="text"/>
Performance class	<input type="text"/>
Quality class	<input type="text"/>
Protection class	<input type="text"/>
Husqvarna AB SE-561 82 Huskvarna Sweden	Low-power generating set

## Bezpieczeństwo

### Definicje dotyczące bezpieczeństwa

Ostrzeżenia, uwagi i informacje są używane do zwrócenia uwagi na szczególnie ważne sekcje instrukcji obsługi.



**OSTRZEŻENIE:** Jest używane, gdy istnieje ryzyko poważnych obrażeń, śmierci operatora lub uszkodzenia otoczenia w wyniku nieprzestrzegania instrukcji obsługi.



**UWAGA:** Jest używane, gdy istnieje ryzyko uszkodzenia materiałów lub urządzenia w wyniku nieprzestrzegania instrukcji obsługi.

**Uwaga:** Stosuje się, aby przekazać więcej informacji, które są przydatne w danej sytuacji.

### Ogólne zasady bezpieczeństwa



**OSTRZEŻENIE:** Przed rozpoczęciem użytkowania produktu należy uważnie zapoznać się z poniższymi ostrzeżeniami.

- Przed rozpoczęciem użytkowania należy uważnie zapoznać się z instrukcją obsługi i naklejkami przypominającymi o zasadach bezpieczeństwa znajdującymi się na produkcie. Bezpieczeństwo własne i osób postronnych leży w zakresie odpowiedzialności użytkownika.
- Należy przestrzegać zaleceń zawartych w niniejszej instrukcji.
- Ostrzeżenie o każdej sytuacji, która może wystąpić podczas obsługi i konserwacji tego produktu, jest niemożliwe. Zawsze zachowywać ostrożność i kierować się zdrowym rozsądkiem.

## Zasady bezpieczeństwa dotyczące paliwa

uważnie zapoznać się z poniższymi ostrzeżeniami.



**OSTRZEŻENIE:** Przed rozpoczęciem użytkowania produktu należy uważnie zapoznać się z poniższymi ostrzeżeniami.

- Benzyna jest wysoce łatwopalna, a jej opary mogą spowodować wybuch. Podczas obchodzenia się z benzyną nie wolno w jej pobliżu palić tytoniu, używać otwartego ognia ani źródeł iskier lub ciepła.
- Nigdy nie dolewać paliwa, gdy produkt pracuje lub jest rozgrzany. Przed dolaaniem paliwa należy poczekać na całkowite ostygnięcie silnika.
- Nigdy nie tankuj w zamkniętych pomieszczeniach.
- Przestrzegaj wszystkich przepisów dotyczących przechowywania i obchodzenia się z benzyną.
- Nie napełniaj nadmiernie zbiornika paliwa. Należy zawsze pozostawić miejsce na rozprężenie paliwa. Jeśli zbiornik paliwa jest przepelniony, paliwo może przelać się na gorący silnik i spowodować pożar lub wybuch.
- Nigdy nie przechowywać produktu z paliwem w zbiorniku w miejscach, gdzie opary benzyny mogą mieć kontakt z otwartym ogniem, iskrami lub płomieniem pilotowym (jak w piecu, podgrzewaczu wody lub suszarce do odzieży). Może to spowodować pożar lub wybuch. Przed odstawieniem produktu do przechowywania należy poczekać na jego całkowite ostygnięcie.
- Rozlane paliwo lub olej należy natychmiast wytrzeć. Upewnić się, że na produkcie lub w jego pobliżu nie pozostawiono żadnych materiałów łatwopalnych. Obszar wokół produktu powinien być czysty i wolny od zanieczyszczeń. Należy zachować odstęp 5 stóp z każdej strony, aby zapewnić odpowiednią wentylację produktu.
- Nie wolno używać produktu w przypadku przegrzania podłączonego urządzenia elektrycznego, utraty mocy elektrycznej lub w przypadku zauważenia płomieni bądź dymu podczas działania produktu.
- W pobliżu produktu powinna zawsze znajdować się gaśnica.
- Unikać rozlania paliwa na gorący silnik.
- W pobliżu produktu lub paliwa nie wolno palić tytoniu ani zapalać papierosów.
- Paliwo należy spuszczać do atestowanego pojemnika na zewnątrz budynku, z dala od otwartego ognia. Upewnić się, że silnik jest zimny.

## Bezpieczeństwo związane z układem wydechowym



**OSTRZEŻENIE:** Przed rozpoczęciem użytkowania produktu należy

- Nigdy nie używać produktu w pomieszczeniach zamkniętych lub wewnątrz budynków! Nigdy nie używać produktu w domu, w samochodzie lub w częściowo zamkniętych pomieszczeniach, takich jak garaże, nawet jeśli drzwi i okna są otwarte! Z produktu należy korzystać wyłącznie na zewnątrz budynków, z dala od otwartych okien, drzwi, otworów wentylacyjnych i w miejscach, w których nie dojdzie do nagromadzenia śmiertelnie groźnych spalin.
- Spaliny silnikowe zawierają tlenek węgla, który jest niewidoczny i pozbawiony zapachu. Wdychanie tego trującego gazu w wystarczającym stężeniu może doprowadzić do utraty przytomności, a nawet śmierci.
- Odpowiedni, niezakłócony przepływ powietrza chłodzącego i wentylacyjnego ma kluczowe znaczenie dla prawidłowego działania produktu. Nie wolno modyfikować instalacji ani dopuszczać choćby do częściowej blokady wentylacji, ponieważ może to mieć poważny wpływ na bezpieczeństwo użytkowania produktu. Eksploatacja produktu musi odbywać się na zewnątrz budynków.
- W pomieszczeniach należy zawsze korzystać z alarmowych sygnalizatorów tlenu węgla z zasilaniem akumulatorowym, zamontowanych zgodnie z instrukcjami producenta.
- Jeśli po uruchomieniu produktu wystąpi pogorszenie samopoczucia, zawroty głowy lub zasłabnięcie, należy natychmiast wyjść na świeże powietrze. Należy skontaktować się z lekarzem, ponieważ mogło dojść do zatrucia tlenkiem węgla.

## Bezpieczeństwo elektryczne



**OSTRZEŻENIE:** Przed rozpoczęciem użytkowania produktu należy uważnie zapoznać się z poniższymi ostrzeżeniami.

- Podczas pracy produkt wytwarza niebezpiecznie wysokie napięcie. Należy unikać kontaktu z nieizolowanymi przewodami, zaciskami, złączami itp. podczas pracy produktu; podobnie w przypadku urządzenia podłączonego do produktu. Przed rozpoczęciem używania produktu należy upewnić się, że wszystkie odpowiednie pokrywy, osłony i barierki znajdują się we właściwym położeniu.
- Nigdy nie należy chwycić za jakikolwiek przewód elektryczny lub urządzenie, stojąc w wodzie, bez obuwia albo mając mokre ręce lub stopy. Może dojść do niebezpiecznego porażenia prądem.
- W niektórych krajach może być wymagane prawidłowe podłączenie ramy i zewnętrznych elementów przewodzących prąd elektryczny do atestowanego uziemienia. W niektórych krajach może być również wymagane prawidłowe uziemienie

produktu. W celu uzyskania informacji na temat wymagań dotyczących uziemienia w danym miejscu należy skonsultować się z lokalnym elektrykiem.

- W miejscach wilgotnych lub o dużym przewodnictwie (takich jak metalowe podesty lub konstrukcje stalowe) należy stosować wyłącznik różnicowo-prądowy (GFCI).
- Nie wolno używać z produktem zużytych, nieizolowanych, postrzępionych ani w inny sposób uszkodzonych zestawów przewodów elektrycznych.
- W razie wypadku spowodowanego porażeniem prądem należy natychmiast wyłączyć źródło zasilania elektrycznego. O ile to możliwe, należy podjąć próbę oswobodzenia ofiary od przewodnika pod napięciem. Unikać bezpośredniego kontaktu z ofiarą. W celu oswobodzenia ofiary od przewodnika pod napięciem należy posłużyć się nieprzewodzącym narzędziem, takim jak lina lub deska. Jeśli ofiara jest nieprzytomna, należy udzielić pierwszej pomocy i niezwłocznie skontaktować się z pomocą medyczną.

## Instrukcje bezpieczeństwa dotyczące obsługi



**OSTRZEŻENIE:** Przed rozpoczęciem użytkowania produktu należy uważnie zapoznać się z poniższymi ostrzeżeniami.

- Produkt należy używać wyłącznie na płaskich powierzchniach i w miejscach, w których nie będzie narażony na działanie nadmiernej wilgoci, brudu, kurzu ani żrących oparów.
- Nie zbliżać rąk, stóp, odzieży itp. do pasów napędowych, wentylatorów i innych części ruchomych. Nigdy nie wolno zdejmować żadnej osłony wentylatora z pracującego urządzenia.
- Niektóre części agregatu prądotwórczego nagrzewają się podczas pracy. Nie zbliżać się do agregatu, zanim nie ostygnie, aby uniknąć groźnych poparzeń.
- Nie używać produktu w trakcie opadów deszczu.
- Nie wolno modyfikować konstrukcji produktu ani zmieniać elementów sterujących, ponieważ może to stwarzać niebezpieczne warunki pracy.
- Nigdy nie wolno uruchamiać ani wyłączać produktu, gdy do gniazd podłączone są odbiorniki elektryczne oraz gdy podłączone urządzenia są włączone. Przed podłączeniem odbiorników elektrycznych należy uruchomić silnik i poczekać na ustabilizowanie jego obrotów. Przed wyłączeniem agregatu prądotwórczego należy odłączyć wszystkie odbiorniki elektryczne.
- Nie wolno wkładać żadnych przedmiotów do szczelin chłodzących produktu, nawet jeśli silnik nie pracuje.
- Podczas wykonywania prac przy tym urządzeniu należy zawsze zachować czujność. Nie wolno

wykonywać prac przy urządzeniu w stanie zmęczenia fizycznego lub psychicznego.

- Nigdy nie używać produktu ani jego części w charakterze stopnia. Wchodzenie na produkt może powodować naprężenia i uszkodzenia części, a także prowadzić do powstania niebezpiecznych warunków pracy wskutek rozszczelnienia układu wydechowego, wycieku paliwa, wycieku oleju itp.
- Przed przystąpieniem do pracy należy upewnić się co do posiadania wiedzy na temat wszystkich elementów sterujących i regulacyjnych.
- Nie przeciążać produktu. Nie należy również przeciążać pojedynczych gniazd panelowych. Gniazda te są zabezpieczone przed przeciążeniem za pomocą wyłączników automatycznych. W przypadku przekroczenia znamionowego natężenia dowolnego wyłącznika automatycznego następuje jego otwarcie i utrata mocy elektrycznej tego gniazda.
- Nigdy nie wolno uruchamiać ani wyłączać silnika, gdy do gniazd podłączone są urządzenia elektryczne i są one włączone.

## Zespoły zabezpieczające na osprzęcie

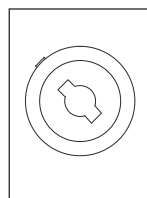
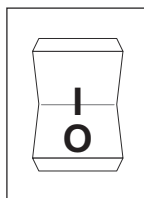


**OSTRZEŻENIE:** Przed rozpoczęciem użytkowania produktu przeczytać następujące ostrzeżenia.

- Nie należy używać maszyny z uszkodzonymi urządzeniami zabezpieczającymi.
- Regularnie przeprowadzać kontrole urządzeń zabezpieczających. Jeśli urządzenia zabezpieczające są uszkodzone, skontaktować się z warsztatem obsługi technicznej Husqvarna.

## Wyłącznik zasilania

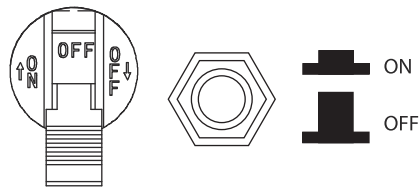
Do uruchamiania i wyłączania silnika należy używać wyłącznika.



## Wyłączniki automatyczne

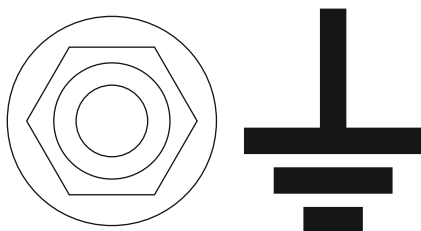
Wyłączniki automatyczne zapobiegają przeciążeniu produktu. Informacje o wartości znamionowej

wyłącznika automatycznego znajdują się obok wyłącznika.



### Zacisk uziemiający

Zacisk uziemiający zapewnia prawidłowe uziemienie produktu. Przed każdym użyciem przewód uziemiający należy podłączyć do zacisku uziemiającego.



## Instrukcje bezpieczeństwa dotyczące konserwacji



**OSTRZEŻENIE:** Przed rozpoczęciem konserwacji produktu należy uważnie zapoznać się z poniższymi ostrzeżeniami.

- Ze względów bezpieczeństwa producent zaleca, aby konserwacja tego urządzenia była

przeprowadzana przez autoryzowanego dealera. Należy przeprowadzać regularne kontrole agregatu prądowłórczego i skontaktować się z najbliższym autoryzowanym dealerem w przypadku części wymagających naprawy lub wymiany.

- Ten produkt jest wyposażony w tłumik z iskrochronem. Obowiązkiem właściciela/operatora jest utrzymywanie iskrochronu w stanie zapewniającym jego skuteczne działanie.
- Układ wydechowy należy poddawać odpowiedniej konserwacji. Nie wolno podejmować żadnych działań, które mogłyby spowodować, że układ wydechowy stanie się niebezpieczny lub utraci zgodność z lokalnymi przepisami i/lub normami.
- Przed przystąpieniem do konserwacji produktu należy odłączyć akumulator rozruchowy silnika (o ile znajduje się w wyposażeniu), aby zapobiec przypadkowemu uruchomieniu. Najpierw odłączyć przewód od zacisku akumulatora oznaczonego jako ujemny, NEG lub (-). Ten przewód należy ponownie podłączyć jako ostatni.
- Każda próba uruchomienia silnika lub rozruchu za pomocą korby przed przeprowadzeniem prawidłowych czynności serwisowych z użyciem zalecanego oleju może spowodować uszkodzenie silnika.
- Podczas wykonywania prac przy produkcji należy zawsze odłączyć fajkę świecy zapłonowej i utrzymywać ją z dala od świecy.
- Gorący olej może spowodować oparzenia. Przed przystąpieniem do spuszczenia oleju należy poczekać na ostygnięcie silnika. Unikać długotrwałego lub powtarzającego się kontaktu zużytego oleju ze skórą. Miejsca, które miały kontakt z olejem, należy dokładnie umyć mydłem.
- Gwarancja produktu nie obejmuje części, które zostały uszkodzone w wyniku nieprawidłowego używania lub zaniedbania operatora. W celu pełnego korzystania z uprawnień gwarancyjnych operator zobowiązany jest przeprowadzać konserwację produktu zgodnie z niniejszą instrukcją obsługi.

## Montaż

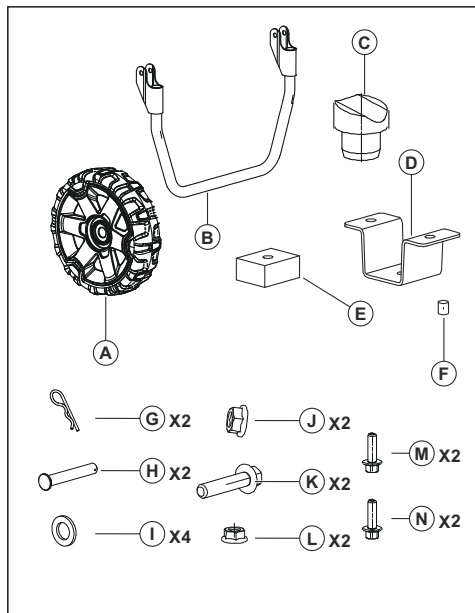
### Wstęp



**OSTRZEŻENIE:** Przed zmontowaniem produktu należy zapoznać się z rozdziałem dotyczącym bezpieczeństwa.

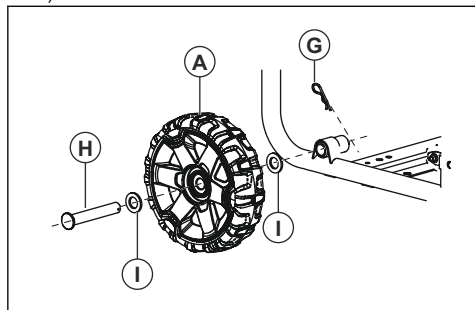
## Montaż zestawu akcesoriów (G5500P, G8500P)

1. Zapoznać się z częściami wchodzącymi w skład zestawu akcesoriów.

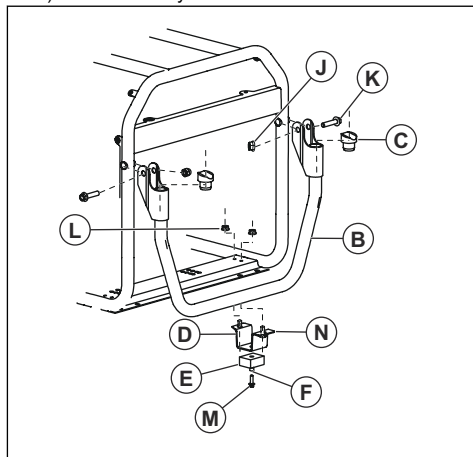


2. Zmontować zestaw akcesoriów. Zapoznać się z ilustracjami.

### a) Montaż kół:



### b) Montaż uchwytu:



## Instalacja

### Wstęp



**OSTRZEŻENIE:** Przed zmontowaniem produktu należy zapoznać się z rozdziałem dotyczącym bezpieczeństwa.

### Uziemienie produktu



**OSTRZEŻENIE:** Produkt musi zostać uziemiony przez osobę posiadającą odpowiednie doświadczenie i wiedzę w dziedzinie elektryki. W niektórych miejscach instalacja musi zostać wykonana

przez uprawnionego elektryka. Przestrzegać lokalnych przepisów.

## Podłączenie produktu do instalacji elektrycznej budynku

1. Zamontować pręt uziemiający w podłożu na głębokości co najmniej 24 cali.



**OSTRZEŻENIE:** Pręt uziemiający musi być wykonany z mosiądzu lub miedzi.

2. Połączyć zacisk uziemiający na panelu sterowania i pręt uziemiający przewodem uziemiającym o przekroju 2,5 mm<sup>2</sup>.

**Uwaga:** Przewód uziemiający i pręt uziemiający nie są dostarczane z produktem.



**OSTRZEŻENIE:** Produkt musi zostać uziemiony przez osobę posiadającą odpowiednie doświadczenie i wiedzę w dziedzinie elektryki. W niektórych miejscach instalacja musi zostać wykonana przez uprawnionego elektryka. Przestrzegać lokalnych przepisów.

- Do podłączenia produktu do instalacji elektrycznej należy użyć ręcznego przełącznika źródła zasilania.
- Należy zapewnić realizację procedury zgodnie z wszystkimi przepisami krajowymi i lokalnymi.

## Przeznaczenie

### Wstęp



**OSTRZEŻENIE:** Przed użyciem produktu należy zapoznać się z rozdziałem dotyczącym bezpieczeństwa.

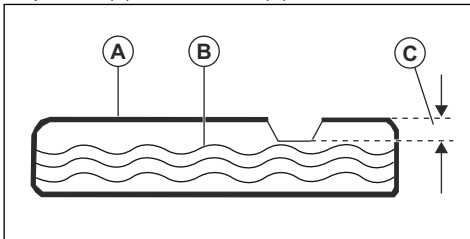
### Uzupełnianie paliwa

Używać benzyny bezołowiowej. Nie używać benzyny o zawartości etanolu przekraczającej 10% ani benzyny E85.



**UWAGA:** Nie wolno mieszać benzyny z olejem.

1. Wyłączyć silnik i poczekać, aż urządzenie ostygnie. Patrz *Wyłączanie produktu na stronie 159*.
2. Upewnić się, że produkt jest ustawiony na płaskim podłożu i w miejscu o odpowiednim przepływie powietrza.
3. Odkręcić korek zbiornika paliwa.
4. Ostrożnie napełnić zbiornik paliwa (A). Napełnić paliwem (B) do oznaczenia (C).



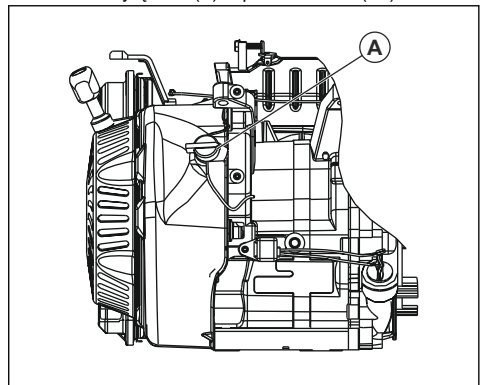
5. Oczyszczyć produkt z rozlanego paliwa.



**UWAGA:** Rozlane paliwo stanowi zagrożenie pożarowe i może spowodować szkody dla środowiska.

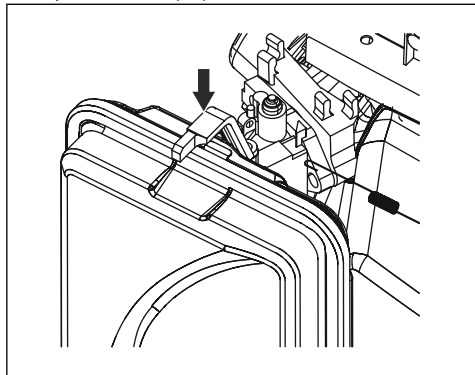
### Uruchamianie produktu

1. Odłączyć wszystkie odbiorniki elektryczne od gniazd na panelu sterowania.
2. Upewnić się, że produkt jest ustawiony na płaskim podłożu.
3. Otworzyć zawór paliwa.
4. Ustawić wyłącznik (A) w położeniu ON (wł.).



5. Ustawić dźwignię ssania w położeniu OFF (wył.).
6. Powoli ciągnąć rączkę linki rozrusznika do poczucia oporu.
7. Uruchomić silnik, szybko i mocno ciągnąc za rączkę linki rozrusznika.
8. Rozruch elektryczny odbywa się poprzez wykonanie poniższych czynności.
  - a) Nacisnąć i przytrzymać przycisk ON/OFF/START (wł./wył./rozruch) w położeniu rozruchu.

- b) Po uruchomieniu silnika przestawić przycisk ON/OFF/START (wł./wył./rozruch) w położenie ON.
9. Przeszawić dźwignię ssania do położenia ½ ssania.
10. Jeśli silnik pracuje płynnie, ustawić dźwignię ssania w położeniu ON (wł.).



**Uwaga:** W modelu G1300P ustawienia ON (wł.) i OFF (wył.) ssania znajdują się po przeciwnych stronach.

## Podłączanie odbiorników elektrycznych



**OSTRZEŻENIE:** Nie podłączać odbiorników o napięciu 240 (230) V do gniazd 120 (110) V. Nie podłączać 3-fazowych odbiorników elektrycznych do produktu 1-fazowego. Nie podłączać odbiorników elektrycznych o częstotliwości 50 Hz do produktu o częstotliwości 60 Hz.

1. Uruchomić silnik i poczekać kilka minut na jego rozgrzanie. Patrz *Uruchamianie produktu na stronie 158*.
2. Podłączyć i uruchomić odbiorniki elektryczne.
3. Upewnić się, że nie doszło do przeciążenia produktu. Patrz *Zapobieganie przeciążeniu produktu na stronie 159*.

## Przegląd

### Wstęp



**OSTRZEŻENIE:** Przed przystąpieniem do konserwacji produktu zapoznać się z rozdziałem dotyczącym bezpieczeństwa.

## Zapobieganie przeciążeniu produktu

Przeciążenie produktu może spowodować uszkodzenie tego produktu i podłączonych urządzeń elektrycznych. Aby zapobiec przeciążeniu urządzenia, należy wykonać poniższe czynności.

- Dodać łączną wartość mocy wszystkich podłączanych jednocześnie urządzeń elektrycznych.



**UWAGA:** Łączna wartość mocy nie może przekraczać wytrzymałości mocowej produktu.

- Moc znamionową świateł można określić poprzez wykorzystanie wartości wskazanych na żarówkach. Moc znamionową narzędzi, urządzeń i silników można znaleźć na naklejce znajdującej się na urządzeniu.
- Jeśli na produkcie, narzędziu lub urządzeniu nie podano wartości mocy, należy pomnożyć wartość napięcia przez wartość natężenia prądu znamionowego.
- Do produktu należy zawsze podłączać najpierw urządzenia elektryczne o najwyższej mocy rozruchowej. Następnie dodawać moc wszystkich innych podłączonych odbiorników elektrycznych.

## Wyłączanie produktu

1. Wyłączyć i odłączyć odbiorniki elektryczne od gniazd na panelu sterowania.



**OSTRZEŻENIE:** Nie wolno wyłączać silnika, jeśli odbiorniki elektryczne są włączone i podłączone do produktu.

2. Pozostawić silnik pracujący bez obciążenia przez 30 sekund.
3. Ustawić wyłącznik w położeniu OFF (wył.).
4. Zamknij zawór paliwa.

## Plan konserwacji

\* Czyszczenie należy przeprowadzać częściej, jeśli produkt jest użytkowany w warunkach dużego zapylenia.

\*\* Konserwację musi wykonywać autoryzowany punkt serwisowy.

Przegląd	Prze- gląd co- dzienny przed urucho- mieniem	Czas między przeglądami (w godzinach)				
		Co 20 godzin lub co miesiąc	Co 50 godzin lub co 3 miesią- ce	Co 100 godzin lub co 6 miesię- cy	Co 300 godzin lub raz w roku	Co 2 la- ta
Wyczyścić urządzenie.	X					
Sprawdzić poziom oleju silnikowego	X					
Sprawdzić filtr powietrza.	X					
Oczyścić filtr powietrza.	X					
Sprawdzić osadnik.	X					
Wymienić olej silnikowy.		X*				
Wyczyścić lub wymienić filtr powietrza.			X*			
Sprawdzić i oczyścić świecę zapłonową.				X		
Sprawdzić obroty biegu jałowego. W razie potrzeby wyregulować obroty biegu jałowego.					X**	
Sprawdzić luz zaworowy. W razie konieczności wyregulować luz zaworowy.					X**	
Oczyścić zbiornik paliwa, filtr siatkowy paliwa i gaźnik.					X**	
Oczyścić komorę spalania.					X**	
W razie konieczności wymienić przewody paliwowe.						X**

## Czyszczenie maszyny od zewnątrz



**UWAGA:** Do czyszczenia urządzenia nie należy używać wody. Woda może spowodować uszkodzenie produktu.

- Do czyszczenia zewnętrznych powierzchni produktu należy używać wilgotnej ściereczki.
- Za pomocą miękkiej szczotki usunąć brud i olej.
- Za pomocą odkurzacza usunąć do czysta zanieczyszczenia i niepożądane materiały z produktu.
- Za pomocą sprężonego powietrza usunąć zanieczyszczenia ze szczelin chłodzących i innych otworów w produkcie.



**UWAGA:** Ciśnienie sprężonego powietrza nie może przekraczać 25 psi.

## Sprawdzanie poziomu oleju silnikowego

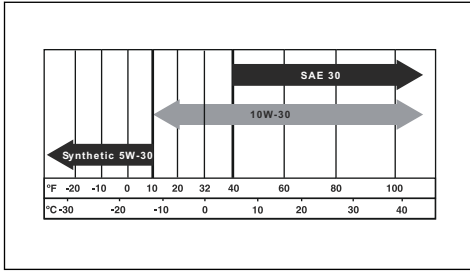


**UWAGA:** Nie wolno używać produktu przy niskim poziomie oleju silnikowego. Może to spowodować uszkodzenie silnika.

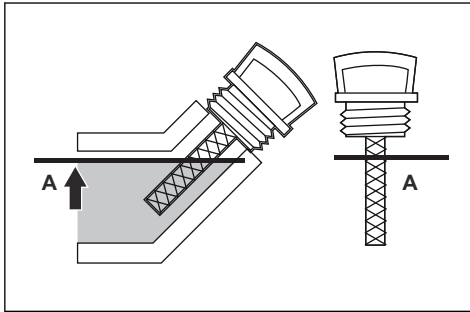


**UWAGA:** Stosować olej silnikowy klasy SJ, SL lub wyższej według standardów Amerykańskiego Instytutu Naftowego (API). Nie używaj dodatków specjalnych. Wybrać zakres lepkości zgodny z temperaturą otoczenia. Należy zapoznać się z poniższą ilustracją.





1. Całkowicie wyłączyć produkt i upewnić się, że jest ustawiony na równym podłożu.
2. Oczyszczyć obszar wokół zbiornika oleju.
3. Odkręcić korek zbiornika oleju i przętowy wskaźnik poziomu oleju.
4. Zetrzeć olej z przętowego wskaźnika poziomu oleju.
5. Włożyć przętowy wskaźnik całkowicie do zbiornika oleju.
6. Wyjąć przętowy wskaźnik poziomu oleju.
7. Sprawdzić poziom oleju silnikowego na wskaźniku przętowym.
8. Jeśli poziom oleju silnikowego jest niski, należy dolać oleju, aż jego poziom sięgnie oznaczenia (A) na wskaźniku przętowym poziomu oleju. Informacja na temat pojemności zbiornika oleju znajduje się w rozdziale *Dane techniczne na stronie 164*.



9. Sprawdzić ponownie poziom oleju silnikowego.
10. Wkręcić korek zbiornika oleju i włożyć przętowy wskaźnik poziomu oleju.

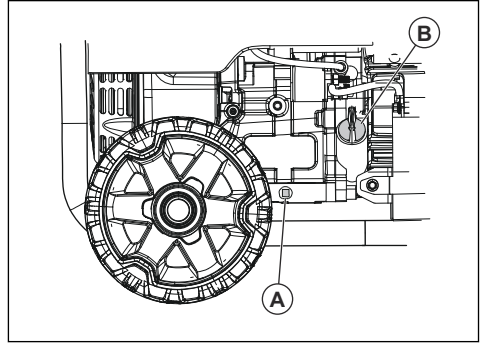
## Wymiana oleju silnikowego

**Uwaga:** Olej silnikowy należy spuszczać przy rozgrzanym silniku. Rozgrzany olej silnikowy sypływa szybciej.



**OSTRZEŻENIE:** Olej staje się bardzo gorący i może spowodować poparzenia. Poczekać na ostygnięcie silnika przed spuszczeniem oleju silnikowego.

1. Oczyszczyć powierzchnię wokół korka spustowego oleju (A).

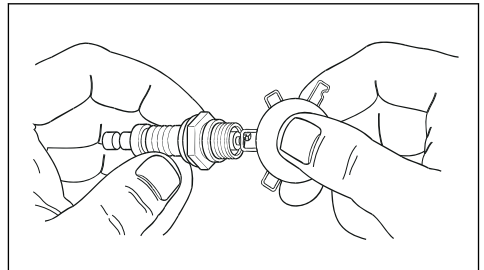


2. Umieścić odpowiedni pojemnik na paliwo pod otworem spustowym.
3. Wykręcić korek spustowy oleju i korek zbiornika oleju (B).
4. Spuścić olej silnikowy do pojemnika.
5. Zamontować korek spustowy oleju i dokręcić go.
6. Napełnić olej silnikowy. Patrz *Sprawdzanie poziomu oleju silnikowego na stronie 160*.
7. Usunąć rozlany olej.
8. Zużyty olej silnikowy należy zutylizować w zatwierdzonym punkcie zbiórki.

## Wymiana świecy zapłonowej

Raz w roku wymieniać świecę zapłonową.

1. Zatrzymać silnik.
2. Odłączyć fajkę świecy zapłonowej od świecy.
3. Oczyszczyć powierzchnię wokół świecy zapłonowej i wyjąć świecę z cylindra.
4. Ustawić odstęp między elektrodami. Patrz *Dane techniczne na stronie 164*.



5. Zamontować nową świecę zapłonową. Dokręcić momentem 15 ft/lbs.

## Kontrola ekranu iskrochronu

Raz w roku lub częściej, jeśli istnieje taka konieczność, sprawdzać i czyścić ekran iskrochronu.

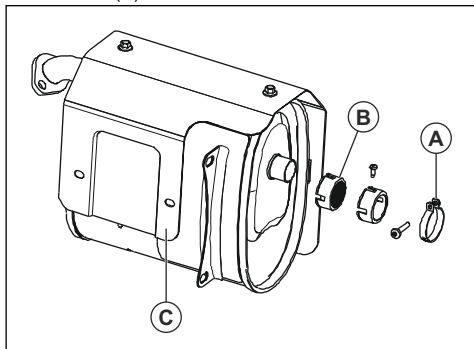


**OSTRZEŻENIE:** W niektórych miejscach i warunkach korzystanie z ekranu iskrochronu jest konieczne, aby zapobiec ryzyku pożaru. Przestrzegać lokalnych przepisów.



**UWAGA:** Nie wolno używać produktu z uszkodzonym ekranem iskrochronu.

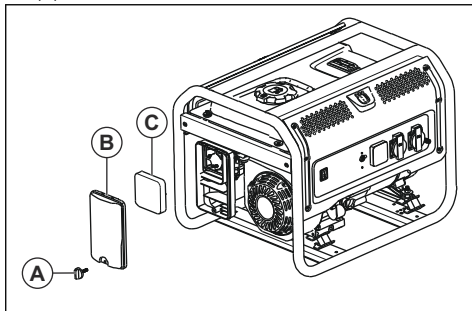
1. Wymontować zacisk (A) i ekran iskrochronu (B) z tłumika (C).



2. Oczyszczyć ekran iskrochronu za pomocą dostępnego na rynku rozpuszczalnika.
3. Sprawdzić, czy ekran iskrochronu nie jest zużyty ani uszkodzony. W razie potrzeby wymienić ekran iskrochronu.

## Kontrola filtra powietrza

1. Wymontować pokrętko (A) i pokrywę filtra powietrza (B).



2. Wymontować filtr powietrza (C).
3. Oczyszczyć filtra powietrza i jego pokrywę w wodzie z mydłem.
4. Pozostawić filtra powietrza i jego pokrywę do wyschnięcia.
5. Zamontować filtr powietrza, pokrywę filtra i pokrętko.

## Rozwiązywanie problemów

### Rozwiązywanie problemów

Problem	Przyczyna	Rozwiązanie
Silnik wyłącza się, gdy jest zbyt mocno obciążony.	Filtr powietrza nie jest czysty.	Wyczyścić lub wymienić filtr powietrza.
	Silnik nie jest rozgrzany.	Przed rozpoczęciem pracy należy poczekać na rozgrzanie silnika.
Wypadanie zapłonu silnika.	Poluzowana świeca zapłonowa.	Sprawdzić podłączenie przewodów.
	Nieprawidłowy odstęp między elektrodami.	Wymienić fajkę świecy zapłonowej.
	Fajka świecy zapłonowej jest uszkodzona.	Wymienić fajkę świecy zapłonowej.
	Benzyna przeterminowana lub niskiej jakości.	Uzupełnianie paliwa.
	Nieprawidłowe sprężanie.	Wyregulować sprężanie.

Problem	Przyczyna	Rozwiązanie
Nagle wyłączenie silnika.	Poziom oleju silnikowego jest niski.	Napełnić olej silnikowy.
	Zbiornik paliwa jest pusty lub zawiera benzynę niskiej jakości.	Uzupełnianie paliwa.
	Uszkodzony korek zbiornika paliwa.	Wymienić korek zbiornika paliwa.
	Uszkodzony magnes.	Skontaktować się z autoryzowanym punktem serwisowym.
	Fajka świecy zapłonowej nie jest prawidłowo założona.	Założyć fajkę świecy zapłonowej.
Stukanie silnika.	Benzyna przeterminowana lub niskiej jakości.	Uzupełnianie paliwa.
	Przeciążenie silnika.	Patrz <i>Zapobieganie przeciążeniu produktu na stronie 159.</i>
	Usterka mechaniczna.	Skontaktować się z autoryzowanym punktem serwisowym.
Zapłon wsteczny silnika.	Niskiej jakości benzyna.	Uzupełnianie paliwa.
	Silnik jest zbyt zimny.	Stosować paliwo do pracy w niskich temperaturach i dodatki do oleju.
	Zawór wlotowy jest zablokowany lub silnik jest zbyt gorący.	Skontaktować się z autoryzowanym punktem serwisowym.
	Nieprawidłowy kąt wyprzedzenia zapłonu.	Sprawdzić kąt wyprzedzenia zapłonu.
Brak zasilania produktu.	Produkt nie jest podłączony do źródła zasilania.	Wyłączyć produkt i odłączyć go. Podłączyć produkt i uruchomić go ponownie.
	Zadziałał wyłącznik automatyczny.	Wyłączyć produkt i odłączyć go. Uruchomić ponownie wyłącznik automatyczny. Podłączyć produkt i uruchomić go ponownie.
	Gniazdo jest zablokowane.	Wyłączyć produkt i odłączyć go. Sprawdzić gniazdo. Jeśli gniazdo nie jest uszkodzone, uruchomić i ponownie podłączyć produkt.
	Wymagany serwis.	Skontaktować się z autoryzowanym punktem serwisowym.
Produkt nie działa prawidłowo.	Problem z urządzeniem elektrycznym.	Odłączyć urządzenie elektryczne. Skontaktować się z autoryzowanym punktem serwisowym.
	Produkt jest nadmiernie obciążony.	Zmniejszyć liczbę urządzeń elektrycznych podłączonych do produktu.



**UWAGA:** Jeśli problem nie ustąpi, należy skontaktować się z autoryzowanym punktem serwisowym.

## Przygotowanie produktu do długotrwałego przechowywania

Jeśli produkt będzie przechowywany przez okres dłuższy niż 30 dni, należy wykonać poniższe czynności. Poniższa procedura zapobiega problemom z układem paliwowym.

1. Dolać stabilizatora do paliwa. Stabilizator paliwa musi być zgodny z zaleceniami producenta.
2. Uruchomić produkt na 10–15 minut.
3. Poczekać na ostygnięcie silnika i opróżnić zbiornik paliwa.



**UWAGA:** Nie przechowywać paliwa przez dłuższy czas. Zutilizować benzynę, która nie jest czysta.

4. Uruchomić silnik i pozostawić go pracującego do momentu całkowitego zużycia paliwa i wyłączenia produktu.
5. Poczekać na ostygnięcie silnika i wymienić olej silnikowy.
6. Zdjąć fajkę świecy zapłonowej i wlać do cylindra ½ uncji/15 ml oleju silnikowego.

7. Włożyć ściereczkę w otwór świecy zapłonowej w celu zabezpieczenia.
8. Pociągnąć 5-krotnie uchwyt linki rozrusznika, aby nasmarować części silnika.
9. Zamontować i dokręcić świecę zapłonową.



**OSTRZEŻENIE:** Nie zakładać fajki świecy zapłonowej.

10. Wyczyścić urządzenie.
11. Produkt należy umieścić w czystym i suchym miejscu w pomieszczeniu.
12. W celu zabezpieczenia produktu należy go przykryć.



**OSTRZEŻENIE:** Nie wolno przykrywać rozgrzanego produktu.

## Dane techniczne

### Dane techniczne

	Husqvarna G1300P	Husqvarna G1300P	Husqvarna G2500P	Husqvarna G2500P	Husqvarna G3200P
Pojemność skokowa silnika, cm <sup>3</sup>	98,5	98,5	196	196	212
Moc szczytowa, W <sup>17</sup>	1000	1200	2200	2800	3000
Moc znamionowa, W	800	1000	2000	2500	2800
Napięcie, V	230	110/220 120/240	230	110/220 120/240	230
Częstotliwość znamionowa, Hz	50	60	50	60	50
Faza	1	1	1	1	1
Ciężar netto, kg	28,0	28,0	43,0	43,0	49,0
Ciężar brutto, kg	29,2	29,2	45,0	45,0	51,0

<sup>17</sup> Maksymalna moc zależy od takich czynników, jak energetyczność paliwa, temperatura otoczenia, wysokość nad poziomem morza, stan silnika itp., i jest przez nie ograniczona. Maksymalna moc spada o około 3,5% na każde 1000 stóp nad poziomem morza, a także o około 1% na każde 6°C (10°F) powyżej temperatury otoczenia 16°C (60°F).

	Husqvarna G1300P	Husqvarna G1300P	Husqvarna G2500P	Husqvarna G2500P	Husqvarna G3200P
Rozmiar opakowania, mm	500 x 375 x 435	500 x 375 x 435	500 x 375 x 435	500 x 375 x 435	625 x 495 x 495
Pojemność zbiornika oleju, l	0,45	0,45	0,6	0,6	0,6
Odstęp między elektrodami, mm/cale	0,76/0,030	0,76/0,030	0,76/0,030	0,76/0,030	0,76/0,030
Typ	Benzyna	Benzyna	Benzyna	Benzyna	Benzyna
Zmierzony poziom mocy akustycznej, dB(A)			95	95	96
Gwarantowany poziom mocy akustycznej, dB(A)			95	95	96

	Husqvarna G3200P	Husqvarna G5500P	Husqvarna G5500P	Husqvarna G8500P	Husqvarna G8500P
Pojemność skokowa silnika, cm <sup>3</sup>	212	389	389	458	458
Moc szczytowa, W <sup>18</sup>	3200	5500	6000	8000	8500
Moc znamionowa, W	3000	5000	5500	7500	8000
Napięcie, V	110/220 120/240	230	110/220 120/240	230	110/220 120/240
Częstotliwość znamionowa, Hz	60	50	60	50	60
Faza	1	1	1	1	1
Ciężar netto, kg	49,0	88,0	88,0	106,4	106,4
Ciężar brutto, kg	51,0	91,0	91,0	109,5	109,5
Rozmiar opakowania, mm	625 x 495 x 495	720 x 560 x 585	720 x 560 x 585	720 x 560 x 585	720 x 560 x 585
Pojemność zbiornika oleju, l	0,6	1,1	1,1	1,1	1,1
Odstęp między elektrodami, mm/cale	0,76/0,030	0,76/0,030	0,76/0,030	0,76/0,030	0,76/0,030
Typ	Benzyna	Benzyna	Benzyna	Benzyna	Benzyna

<sup>18</sup> Maksymalna moc zależy od takich czynników, jak energetyczność paliwa, temperatura otoczenia, wysokość nad poziomem morza, stan silnika itp., i jest przez nie ograniczona. Maksymalna moc spada o około 3,5% na każde 1000 stóp nad poziomem morza, a także o około 1% na każde 6°C (10°F) powyżej temperatury otoczenia 16°C (60°F).

	Husqvarna G3200P	Husqvarna G5500P	Husqvarna G5500P	Husqvarna G8500P	Husqvarna G8500P
Zmierzony poziom mocy akustycznej, dB(A)	96				
Gwarantowany poziom mocy akustycznej, dB(A)	96				

## Poradnik dotyczący mocy

**Uwaga:** Wszystkie wartości są przybliżone.  
Wymagania dotyczące mocy podano na etykiecie z danymi na urządzeniu.

Urządzenie	Moc robocza	Dodatkowa moc rozruchowa
<b>Awarjny</b>		
Lodówka/zamrażarka	700	1500
Radio	100	0
<b>Miejsce pracy</b>		
Sprężarka powietrza — ½ KM	1000	1000
Piła stołowa — 10"	1700	1300
Szlifierka taśmowa — 3"	1200	1200
Wiertarka ręczna — ½"	600	600
Halogenowe światło robocze	1000	0
Piła szablasta	900	900
<b>Rekreacja</b>		
Radiodbiornik AM/FM	100	0
Grill elektryczny	1700	0
Pompka 50	100	-
Odtwarzacz CD/DVD	100	0
Wentylator skrzynkowy — 20"	200	200
Ekspres do kawy	600	0
<b>Gospodarstwo domowe</b>		
Komputer z monitorem	800	0
Elektryczna suszarka do odzieży	5500	500
Kuchenka elektryczna	2100	0
Elektryczny podgrzewacz wody	2000	0
Żarówka — 100 W	100	0

<b>Urządzenie</b>	<b>Moc robocza</b>	<b>Dodatkowa moc rozruchowa</b>
Kuchenka mikrofalowa — 1000 W	1000	200
Pompa ściekowa — ½ KM	1000	1100
Telewizor	400	0
Pralka	1100	1100
Pompa studzienkowa — ½ KM	1000	1000
<b>Trawnik i ogród</b>		
Nożyce do żywopłotu	400	400
Myjka ciśnieniowa	1200	1200
Kosiarka	1200	1200
Końcówka do przycinania szczelin	1000	1000
<b>Ogrzewanie i chłodzenie</b>		
Centralna klimatyzacja — 10 000 BTU	1500	1500
Dmuchawa do pieca — ½ KM	900	1400
Grzejnik	1800	0
Klimatyzator okienny — 10 000 BTU	1200	600

---

# Deklaracja zgodności WE

---

## Deklaracja zgodności Rady Europejskiej

Dla poniższej maszyny:

- Nazwa produktu: Przenośny agregat prądowórczy
- Przeznaczenie Agregat prądowórczy o niskim poborze mocy
- Nr modelu: G 2500P, G 3200P
- Nr seryjny: 1945013770, 1945013793 i nowsze

**jest zgodna ze wszystkimi obowiązującymi postanowieniami**

- dyrektywy maszynowej (2006/42/WE)
- dyrektywy niskonapięciowej (2014/35/UE)
- dyrektywy w sprawie ograniczenia stosowania niektórych niebezpiecznych substancji (RoHS) (2011/65/UE)
- dyrektywy kompatybilności elektromagnetycznej (2014/30/UE)
- dyrektywy o emisji hałasu przez urządzenia do użytku zewnętrznego (2000/14/WE + 2005/88/WE)

**i odpowiada następującej normie zharmonizowanej:**

- EN ISO 8528-13:2016, EN 61000-6-1:2007; EN 55012:2007+A1

**Procedura oceny zgodności: 2000/14/WE ze zmianami 2005/88/WE — załącznik VI**

Certyfikację hałasu przeprowadziła firma TÜV Rheinland LGA Products GmbH, jednostka notyfikowana ds. maszyn (notyfikowana pod nr 0197), Tillystraße 2 — 90431 Nürnberg, Niemcy. Informacje dotyczące emisji hałasu podano w rozdziale *Dane techniczne na stronie 164*.

Husqvarna, 10.06.2020 r.



Claes Losdal, menedżer ds. rozwoju/produkty ogrodowe (autoryzowany przedstawiciel Husqvarna AB oraz osoba odpowiedzialna za dokumentację techniczną).



# ÍNDICE

Introdução.....	169	Manutenção.....	177
Segurança.....	172	Resolução de problemas.....	180
Montagem.....	175	Preparar o produto para um armazenamento a longo prazo.....	182
Instalação.....	175	Especificações técnicas.....	182
Funcionamento.....	176	Declaração CE de conformidade.....	186

## Introdução

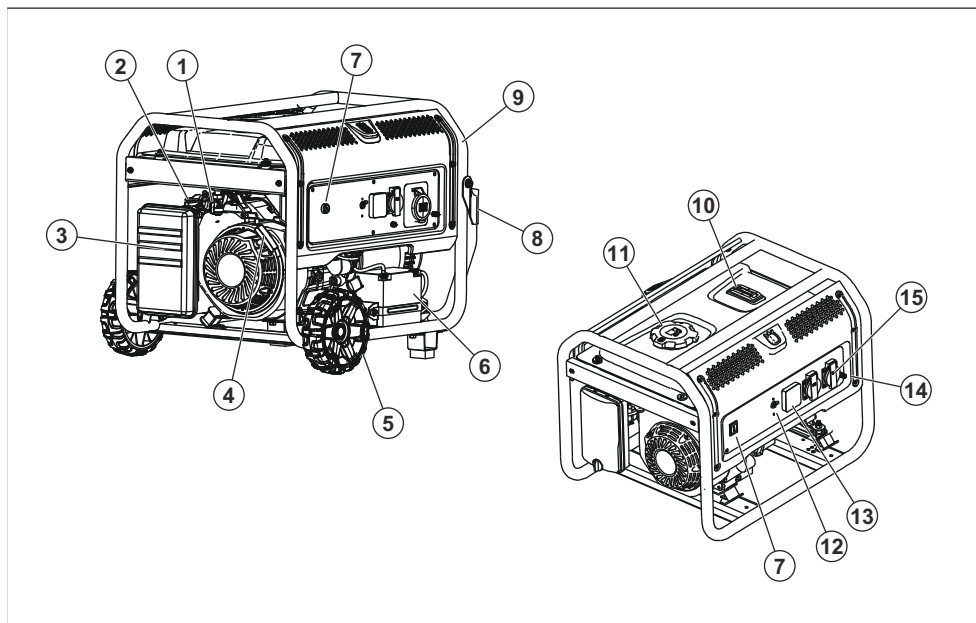
### Descrição do produto

O produto é um gerador portátil com motor de combustão.

### Finalidade

O produto fornece energia elétrica para operar cargas elétricas em locais onde não existe energia elétrica disponível. Não utilize o produto para outras tarefas.

### Vista geral do produto



1. Válvula de combustível
2. Estrangulador
3. Filtro de ar
4. Punho do cabo de arranque
5. Roda
6. Bateria
7. Interruptor de alimentação
8. Pega
9. Estrutura
10. Indicador de nível de combustível

11. Tampa do depósito de combustível
12. Disjuntores de CA
13. Medidor VFT
14. Terminal de terra
15. Conector de CA

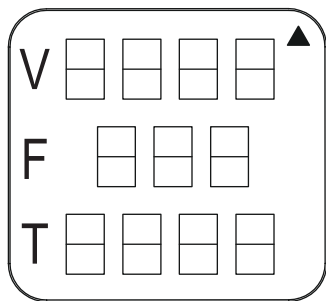
## Terminal de CC de 12 V

O terminal de CC de 12 V é uma fonte de alimentação para unidades CC de 12 V.



## Medidor VFT

O medidor VFT apresenta a tensão, a frequência e o tempo de funcionamento total do produto.



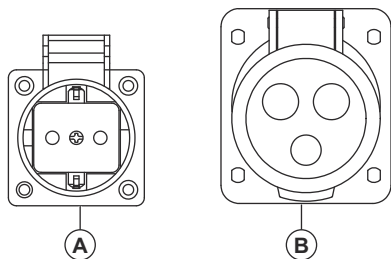
## Conectores de CA

O produto contém vários conectores de CA para alimentar as ferramentas e o equipamento. Os conectores de CA são diferentes em diferentes áreas de mercado.

UE, monofásico, 50 Hz

A: Conector de 2 pinos, 230 V.

B: Conector de 3 pinos, 32 A, 230 V.

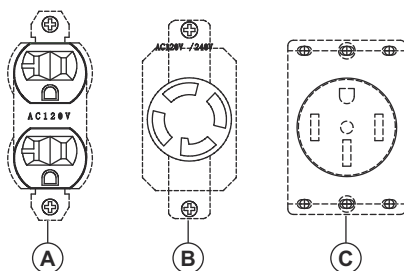


EUA, monofásico, 60 Hz

A: Conector duplo de 3 pinos, 120 V.

B: Conector "twist lock" de 4 pinos, 30 A, 120/240 V.

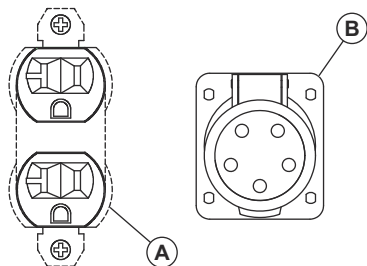
C: Conector de 4 pinos, 50 A, 120/240 V.



EUA, trifásico, 60 Hz

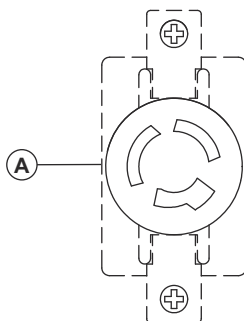
A: Conector duplo de 3 pinos, 110 V.

B: Conector de 5 pinos, trifásico, 127/220 V.



CN, monofásico, 50 Hz

A: Conector "twist lock" de 3 pinos, 230 V.



## Símbolos no produto



**AVISO!** Seja cuidadoso e utilize o produto corretamente. Este produto pode provocar ferimentos graves ou a morte do utilizador ou terceiros.



Leia o manual do operador com atenção, e certifique-se de que compreende as instruções antes de utilizar este produto.



Risco de incêndio ou explosão.



Risco de envenenamento por monóxido de carbono. Não opere o produto em áreas com um fluxo de ar inadequado.



Risco de choque elétrico.



Risco de queimaduras.



Adicione óleo.



Adicione combustível.



Abra a válvula de combustível.



Coloque o interruptor de alimentação na posição ON.



Coloque o estrangulador na posição OFF.



Coloque o estrangulador na posição ON.



Puxe o punho do cabo de arranque.



Ligue as cargas elétricas.



Desligue as cargas elétricas.



Feche a válvula de combustível.



Emissões de ruído para o meio ambiente de acordo com a Diretiva Europeia 2000/14/CE e com o regulamento "Protection of the Environment Operations (Noise Control) Regulation 2017" (regulamento de proteção de operações no meio ambiente [controle do ruído] de 2017 da Nova Gales do Sul). Os dados das emissões de ruído podem ser encontrados na etiqueta da máquina no capítulo Especificações técnicas.



Não utilize o produto em locais fechados.



Utilize o produto no exterior. Mantenha o produto afastado de janelas, portas ou ventiladores.



Coloque o estrangulador na posição ON e aguarde 50 segundos.

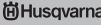



Coloque o estrangulador na posição OFF e aguarde 50 segundos.



Aguarde 30 segundos e coloque o interruptor de alimentação na posição OFF.

## Etiqueta de tipo

	Prod. year 0000
Product	<input type="text"/>
Serial No.	<input type="text"/>
Article No.	<input type="text"/>
Model	<input type="text"/>
Weight	<input type="text"/>
Rated current	<input type="text"/>
Max Power	<input type="text"/>
COP Power	<input type="text"/>
Voltage	<input type="text"/>
Rated Frequency	<input type="text"/>
Power factor	<input type="text"/>
Performance class	<input type="text"/>
Quality class	<input type="text"/>
Protection class	<input type="text"/>
Husqvarna AB SE-561 82 Huskvarna Sweden	Low-power generating set 

## Segurança

### Definições de segurança

Os avisos, as precauções e as notas são utilizados para indicar partes especialmente importantes do manual.



**ATENÇÃO:** Utilizado no caso de existir risco de ferimento ou morte para o utilizador ou transeuntes, se não forem respeitadas as instruções do manual.



**CUIDADO:** Utilizado se existir risco de danos para o produto, para outros materiais ou para a área adjacente, se não forem respeitadas as instruções do manual.

**Nota:** Utilizado para disponibilizar informações adicionais necessárias numa determinada situação.

### Instruções de segurança gerais



**ATENÇÃO:** Leia e certifique-se de que compreende as instruções de aviso que se seguem antes de utilizar o produto.

- Leia e certifique-se de que compreende o manual do utilizador e os autocolantes de segurança existentes no produto antes da utilização. A sua segurança e a segurança dos outros é da sua responsabilidade.
- Siga as instruções deste manual do utilizador.
- Não é possível apresentar um aviso para cada situação que pode ocorrer durante o funcionamento e a manutenção do produto. Seja sempre cuidadoso e use o seu senso comum.

### Segurança no manuseamento do combustível



**ATENÇÃO:** Leia e certifique-se de que compreende as instruções de aviso que se seguem antes de utilizar o produto.

- A gasolina é altamente inflamável e os seus vapores são explosivos. Não permita a presença de fumo, chamas abertas, faíscas ou calor nas proximidades enquanto estiver a manusear a gasolina.
- Nunca adicione combustível com o produto a funcionar ou quente. Deixe o motor arrefecer completamente antes de adicionar combustível.
- Nunca abasteça o depósito de combustível no interior.
- Cumpra todas as leis de regulação de armazenamento e manuseamento de gasolina.
- Não encha demasiado o depósito de combustível. Deixe sempre espaço para a expansão de combustível. Se o depósito de combustível estiver demasiado cheio, o combustível pode transbordar para o motor quente e provocar um incêndio ou uma explosão.
- Nunca guarde o produto com combustível no depósito de combustível onde os vapores de gasolina possam atingir uma chama aberta, faísca ou chama piloto (como num forno, esquentador ou secador de roupa). Pode ocorrer um incêndio ou uma explosão. Deixe o produto arrefecer completamente antes de o armazenar.
- Limpe qualquer combustível ou óleo derramado imediatamente. Certifique-se de que não são deixados materiais combustíveis no produto ou próximo do mesmo. Mantenha a área à volta do produto limpa e sem detritos. Mantenha uma folga

de 5 pés a toda a volta para permitir uma ventilação adequada do produto.

- Não utilize o produto se um dispositivo elétrico ligado sobreaquecer, se perder a potência elétrica ou se observar a presença de chamas ou fumo durante o funcionamento do produto.
- Mantenha sempre um extintor de incêndio próximo do produto.
- Evite derramar combustível num motor quente.
- Não fume nem acenda cigarros perto do produto ou de combustível.
- Drene o combustível para um recipiente aprovado no exterior, longe de chamas abertas. Certifique-se de que o motor está frio.

## Segurança do escape



**ATENÇÃO:** Leia e certifique-se de que compreende as instruções de aviso que se seguem antes de utilizar o produto.

- Nunca opere o produto numa área fechada ou em espaços interiores! Nunca utilize o produto em casa, num veículo ou em áreas parcialmente fechadas, como garagens, mesmo se as portas e as janelas estiverem abertas! Utilize apenas o produto ao ar livre e longe de ventilações, portas e janelas abertas e numa área que não acumule gases de escape letais.
- Os gases de escape do motor contêm monóxido de carbono que não consegue ver nem cheirar. Estes gases tóxicos, se aspirados em concentrações suficientes, podem causar perda de consciência ou mesmo morte.
- O fluxo adequado e desobstruído de ar de arrefecimento e de ventilação é fundamental para o funcionamento correto do produto. Não altere a instalação nem permita o bloqueio, mesmo que parcial, das ventilações, uma vez que isso pode afetar seriamente o funcionamento seguro do produto. O produto tem de ser operado no exterior.
- Utilize sempre um alarme de monóxido de carbono com bateria em espaços interiores, instalado de acordo com as instruções do fabricante.
- Se começar a sentir enjoos, tonturas ou fraqueza após a utilização do produto, desloque-se imediatamente para uma zona com ar fresco. Consulte um médico, pois poderá ter uma intoxicação por monóxido de carbono.

## Segurança no manejo de eletricidade



**ATENÇÃO:** Leia e certifique-se de que compreende as instruções de aviso que se seguem antes de utilizar o produto.

- O produto produz uma tensão perigosamente elevada durante o funcionamento. Evite o contacto com fios elétricos, terminais, ligações, etc., enquanto

o produto estiver em funcionamento, mesmo em equipamento ligado ao produto. Certifique-se de que todas as coberturas, proteções e barreiras estão na devida posição antes de operar o produto.

- Nunca manuseie nenhum tipo de dispositivo ou cabo elétrico enquanto estiver dentro de água, descalço ou com as mãos ou os pés molhados. Podem ocorrer choques elétricos perigosos.
- Alguns países podem exigir que a estrutura e as peças condutoras elétricas externas do produto estejam devidamente ligadas a uma ligação à terra aprovada. Alguns países também podem exigir uma ligação à terra adequada do produto. Consulte um electricista local para obter os requisitos de ligação à terra na área.
- Utilize um corta-circuito em caso de falha na terra (GFCI) em áreas húmidas ou altamente condutoras (por exemplo, plataformas de metal ou áreas de trabalho de aço).
- Não utilize cabos elétricos gastos, descarnados, desgastados ou danificados com o produto.
- Em caso de acidente causado por choque elétrico, desligue imediatamente a fonte de alimentação elétrica. Se tal não for possível, tente libertar a vítima do condutor ativo. Evite o contacto direto com a vítima. Utilize um acessório não condutor, como uma corda ou placa, para libertar a vítima do condutor ativo. Se a vítima estiver inconsciente, aplique os primeiros socorros e procure assistência médica imediata.

## Instruções de segurança para funcionamento



**ATENÇÃO:** Leia e certifique-se de que compreende as instruções de aviso que se seguem antes de utilizar o produto.

- Opere apenas o produto em superfícies planas e em locais onde não estará exposto a excesso de humidade, sujidade, poeira ou vapores corrosivos.
- Mantenha as mãos, os pés, o vestuário, etc., afastados da correias da transmissão, ventoinhas e outras peças móveis. Nunca remova qualquer proteção ou dispositivo de segurança da ventoinha durante o funcionamento da unidade.
- Determinadas peças do gerador ficam extremamente quentes durante o funcionamento. Mantenha-se afastado do gerador até este ter arrefecido para evitar queimaduras graves.
- Não utilize o produto à chuva.
- Não altere a construção do produto nem os controlos, pois tal pode criar uma condição de funcionamento insegura.
- Nunca ligue nem desligue o produto com cargas elétricas ligadas aos conectores e com os dispositivos ligados ativados. Ligue o motor e deixe-o estabilizar antes de ligar cargas elétricas. Desligue

todas as cargas elétricas antes de desligar o gerador.

- Não introduza objetos através das ranhuras de arrefecimento do produto, mesmo que o motor não esteja a funcionar.
- Ao trabalhar neste equipamento, mantenha-se sempre alerta. Nunca trabalhe no equipamento quando estiver fisicamente ou mentalmente cansado.
- Nunca utilize o produto ou qualquer uma das suas peças como um degrau. Pisar o produto pode partir peças ou colocá-las sob tensão, e pode resultar em condições de funcionamento perigosas devido a fuga de gases de escape, fuga de combustível, fuga de óleo, etc.
- Certifique-se de que possui conhecimentos sobre todos os controlos e ajustes antes da utilização.
- Não sobrecarregue o produto. Além disso, não sobrecarregue os conectores do painel individual. Estes conectores estão protegidos contra sobrecargas com disjuntores. Se a classificação de amperes de qualquer disjuntor for ultrapassada, o disjuntor abre-se e a potência elétrica para o conector é perdida.
- Nunca ligue nem desligue o motor com dispositivos elétricos ligados nos conectores e dispositivos ativados.

## Dispositivos de segurança no produto

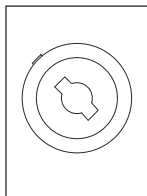
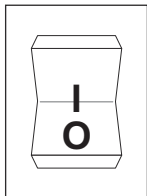


**ATENÇÃO:** Leia as instruções de aviso que se seguem antes de utilizar o produto.

- Não utilize o produto com dispositivos de segurança defeituosos.
- Verifique regularmente os dispositivos de segurança. Se os dispositivos de segurança estiverem defeituosos, fale com a sua oficina Husqvarna autorizada.

## Interruptor de alimentação

Utilize o interruptor de alimentação para ligar e desligar o motor.



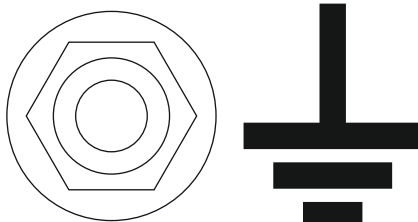
## Disjuntores

Os disjuntores evitam a sobrecarga do produto. As informações sobre o valor nominal do disjuntor são apresentadas junto ao disjuntor.



## Terminal de terra

O terminal de terra garante que o produto está corretamente ligado à terra. Antes de cada operação, deve ligar-se um fio de terra ao terminal de terra.



## Instruções de segurança para manutenção



**ATENÇÃO:** Leia e certifique-se de que compreende as instruções de aviso que se seguem antes de efetuar tarefas de manutenção no produto.

- Por motivos de segurança, o fabricante recomenda que a manutenção deste equipamento seja efetuada por um revendedor autorizado. Inspeccione o gerador regularmente e contacte o revendedor autorizado mais próximo para obter as peças que necessitam de reparação ou substituição.
- Este produto está equipado com um silenciador que inclui uma rede retentora de faíscas. O proprietário/operador deve manter a rede retentora de faíscas em boas condições de funcionamento.
- Deve ser efetuada uma manutenção adequada do sistema de escape. Não realize qualquer ação que possa tornar o sistema de escape inseguro ou levar ao incumprimento de normas e/ou códigos locais.
- Antes de executar operações de manutenção no produto, desligue a bateria de arranque do motor

(se instalada) para evitar o arranque accidental. Em primeiro lugar, desligue o cabo do terminal da bateria indicado por negativo, NEG ou (-). Volte a ligar o cabo em último lugar.

- Qualquer tentativa de arrancar ou ligar o motor antes da devida manutenção com o óleo recomendado pode resultar numa avaria no motor.
- Quando efetuar tarefas no produto, desligue sempre a cobertura da vela de ignição e mantenha-a afastada da vela de ignição.

- O óleo quente pode causar queimaduras. Deixe o motor arrefecer antes de reabastecer com óleo. Evite a exposição repetida ou prolongada da pele a óleo usado. Lave cuidadosamente as áreas expostas com sabão.
- A garantia do produto não cobre itens sujeitos a uma utilização indevida ou negligência por parte do operador. Para receber o valor total da garantia, o operador tem de manter o produto de acordo com as instruções deste manual do utilizador.

## Montagem

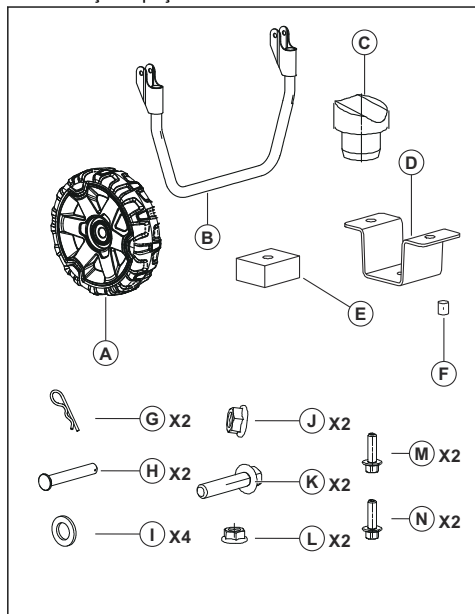
### Introdução



**ATENÇÃO:** Certifique-se de que lê e compreende o capítulo sobre segurança antes de montar o produto.

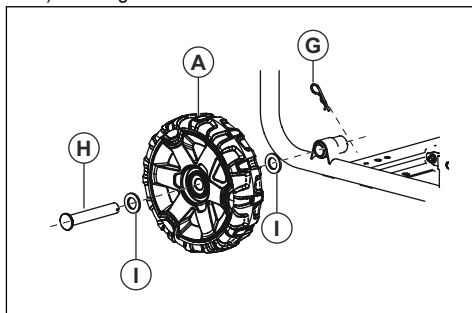
### Montar o kit de acessórios (G5500P, G8500P)

1. Conheça as peças do kit de acessórios.

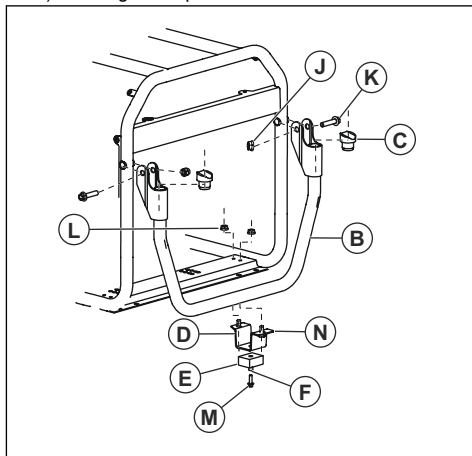


2. Monte o kit de acessórios. Consulte as ilustrações.

a) Montagem da roda:



b) Montagem do punho:



## Instalação

### Introdução



**ATENÇÃO:** Certifique-se de que lê e compreende o capítulo sobre segurança antes de instalar o produto.

### Ligar o produto à terra



**ATENÇÃO:** O produto tem de ser ligado à terra por uma pessoa com experiência e conhecimentos na área

da eletricidade. Em algumas áreas, a instalação deve ser efetuada por um electricista aprovado. Respeite os regulamentos locais.

1. Instale um elétrodo de terra, no mínimo, a 24 pol. no solo.



**ATENÇÃO:** O elétrodo de terra deve ser de latão ou cobre.

2. Ligue um fio terra com 2,5 mm<sup>2</sup> do terminal de terra no painel de controlo a um elétrodo de terra.

**Nota:** O fio terra e o elétrodo de terra não são fornecidos com o produto.

## Ligar o produto ao sistema elétrico de um edifício



**ATENÇÃO:** O produto tem de ser ligado à terra por uma pessoa com experiência e conhecimentos na área da eletricidade. Em algumas áreas, a instalação deve ser efetuada por um electricista aprovado. Respeite os regulamentos locais.

- Utilize um interruptor de transferência manual para ligar o produto a um sistema elétrico.
- Certifique-se de que realiza o procedimento em conformidade com todos os regulamentos nacionais e locais.

## Funcionamento

### Introdução



**ATENÇÃO:** Certifique-se de que lê e compreende o capítulo sobre segurança antes de usar o produto.

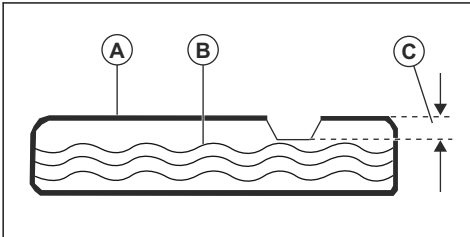
### Encher o depósito de combustível

Utilize gasolina sem chumbo. Não utilize gasolina com mais de 10% de concentração de etanol e não utilize gasolina E85.



**CUIDADO:** Não misture gasolina com óleo.

1. Desligue o motor e deixe o produto arrefecer. Consulte *Desligar o produto na página 177*.
2. Certifique-se de que o produto se encontra numa superfície nivelada e numa área arejada.
3. Retire a tampa do depósito de combustível.
4. Abasteça cuidadosamente o depósito de combustível (A). Abasteça o depósito de combustível (B) até à marca (C).



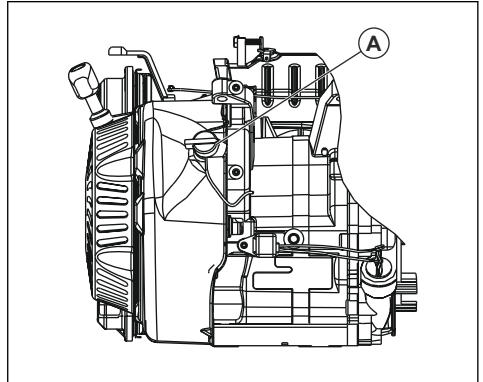
5. Limpe o produto de eventuais derrames de combustível.



**CUIDADO:** O derrame de combustível constitui risco de incêndio e pode causar danos ambientais.

### Arranque

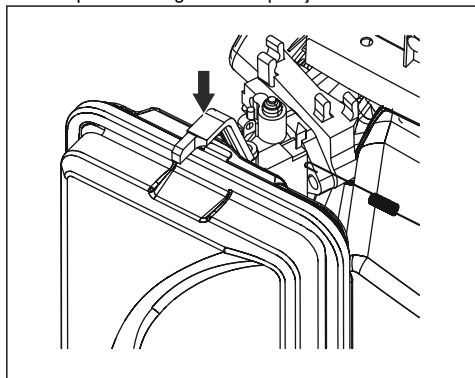
1. Desligue todas as cargas elétricas dos conectores no painel de controlo.
2. Certifique-se de que o produto se encontra numa superfície nivelada.
3. Abra a válvula de combustível.
4. Coloque o interruptor de alimentação (A) na posição ON.



5. Coloque o estrangulador na posição OFF.
6. Puxe o punho do cabo de arranque lentamente até sentir resistência.
7. Puxe o punho do cabo de arranque rapidamente e com força até que o motor arranque.
8. Para o arranque elétrico, efetue os passos que se seguem.



- a) Prima e mantenha premido o botão ON/OFF/START na posição de arranque.
  - b) Quando o motor arrancar, coloque o botão ON/OFF/START na posição ON.
9. Coloque o estrangulador na posição de ½ estrangulamento.
  10. Quando o motor estiver a funcionar suavemente, coloque o estrangulador na posição ON.



**Nota:** Para G1300P, as posições ON e OFF do estrangulador encontram-se nas posições opostas.

## Ligar as cargas elétricas



**ATENÇÃO:** Não ligue 240 (230) V a conectores de 120 (110) V. Não ligue cargas elétricas trifásicas a um produto monofásico. Não ligue cargas elétricas de 50 Hz a um produto de 60 Hz.

1. Ligue o motor e deixe-o aquecer durante alguns minutos. Consulte *Arranque na página 176*.
2. Ligue e arranque as cargas elétricas.

3. Confirme que não existe sobrecarga no produto. Consulte *Evitar a sobrecarga do produto na página 177*.

## Evitar a sobrecarga do produto

A sobrecarga do produto pode causar danos no produto e nos dispositivos elétricos ligados. Execute os passos que se seguem para evitar a sobrecarga do produto.

- Some a quantidade total de W de todos os dispositivos elétricos a ligar em simultâneo.



**CUIDADO:** O total de W não deve ser superior à capacidade de W do produto.

- O valor nominal de W das luzes pode ser obtido a partir das lâmpadas. O valor nominal de W das ferramentas, do equipamento e dos motores encontra-se num autocolante no dispositivo.
- Se não existir uma quantidade de W especificada no produto, ferramenta ou equipamento, multiplique V pelo valor nominal de A.
- Ligue sempre primeiro os dispositivos elétricos com o valor de W de arranque mais elevado ao produto. Em seguida, some os valores de W de todas as outras cargas elétricas ligadas.

## Desligar o produto

1. Pare e desligue as cargas elétricas dos conectores no painel de controlo.



**ATENÇÃO:** Não pare o motor se as cargas elétricas estiverem ativadas e ligadas ao produto.

2. Deixe o motor funcionar sem carga durante 30 segundos.
3. Coloque o interruptor de alimentação na posição OFF.
4. Feche a válvula de combustível.

## Manutenção

### Introdução



**ATENÇÃO:** Certifique-se de que leu e compreendeu o capítulo sobre segurança antes de realizar tarefas de manutenção no produto.

### Esquema de manutenção

\* Limpe num intervalo mais regular se o produto for utilizado em condições com muito pó.

\*\* A manutenção tem de ser efetuada por um revendedor com assistência técnica aprovado.

Manutenção	Manutenção diária antes da utilização	Intervalo de manutenção em horas				
		20 horas ou todos os meses	50 horas ou a cada 3 meses	100 horas ou a cada 6 meses	300 horas ou 1 vez por ano	A cada 2 anos
Limpar o produto.	X					
Verifique o nível do óleo de motor.	X					
Verifique o filtro de ar.	X					
Limpe o filtro de ar.	X					
Verifique o copo do depósito.	X					
Substitua o óleo de motor.		X*				
Limpe ou substitua o filtro de ar.			X*			
Verifique e limpe a vela de ignição.				X		
Verifique o ralenti. Se necessário, ajuste o ralenti.					X**	
Verifique a folga da válvula. Se necessário, ajuste a folga da válvula.					X**	
Limpe o depósito de combustível, o filtro do combustível e o carburador.					X**	
Limpe a câmara de combustão.					X**	
Se necessário, substitua os tubos de combustível.						X**

## Limpar o produto



**CUIDADO:** Não utilize água para limpar o produto. A água pode provocar danos no produto.

- Utilize um pano húmido para limpar as superfícies externas do produto.
- Utilize uma escova macia para remover sujidade e óleo.
- Utilize um aspirador para remover sujidade e materiais indesejados do produto.
- Utilize ar comprimido para remover sujidade das ranhuras de arrefecimento e de outras aberturas no produto.



**CUIDADO:** A pressão do ar comprimido não deve ser superior a 25 psi.

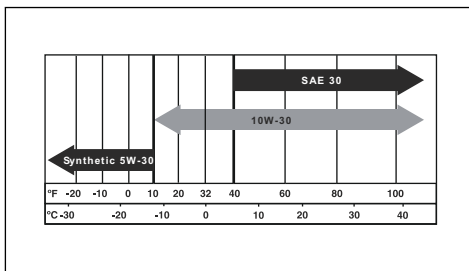
## Verificar o nível do óleo de motor



**CUIDADO:** Não utilize o produto com um nível de óleo de motor baixo. Caso contrário, pode danificar o motor.

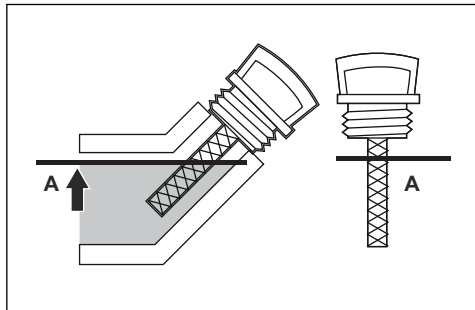


**CUIDADO:** Utilize óleo de motor com a classe SJ, SL ou superior, do American Petroleum Institute (API). Não utilize aditivos especiais. Selecione uma gama de viscosidade adequada à temperatura ambiente. Consulte a ilustração a seguir.



1. Pare totalmente o produto e certifique-se de que o produto se encontra numa superfície nivelada.
2. Limpe a área em redor do depósito de óleo.
3. Retire a tampa do depósito de óleo e a vareta do óleo.
4. Limpe o óleo da vareta de nível.

- Volte a introduzir totalmente a vareta de nível no depósito de óleo.
- Remova a vareta de nível.
- Examine o nível do óleo de motor na vareta de nível.
- Se o nível do óleo de motor estiver baixo, abasteça com óleo de motor até atingir a marca (A) na vareta de nível. Consulte *Especificações técnicas na página 182* para saber a capacidade do depósito de óleo.
- Retire o bujão de drenagem do óleo e a tampa do depósito de óleo (B).
- Drene o óleo de motor para o recipiente.
- Instale o bujão de drenagem do óleo e aperte-o.
- Abasteça o óleo de motor. Consulte *Verificar o nível do óleo de motor na página 178*.
- Remova quaisquer derrames de óleo.
- Recicle o óleo de motor usado num local de eliminação aprovado.



- Verifique novamente o nível do óleo de motor.
- Instale a tampa do depósito de óleo e a vareta de nível.

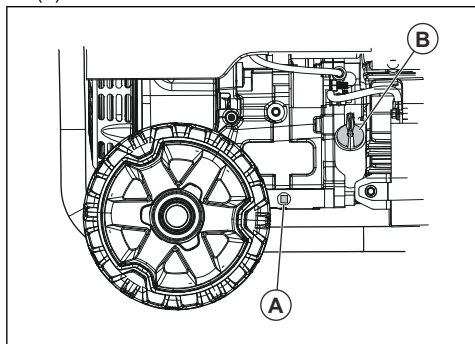
## Substituir o óleo de motor

**Nota:** Drene o óleo de motor enquanto o motor está quente. O óleo de motor quente é mais rápido de drenar.



**ATENÇÃO:** O óleo do motor fica muito quente e pode causar queimaduras. Deixe o motor arrefecer antes de drenar o óleo de motor.

- Limpe a área à volta do bujão de drenagem do óleo (A).

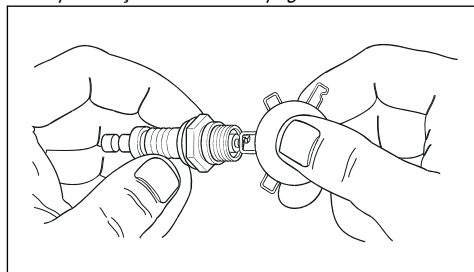


- Coloque um recipiente de combustível adequado por baixo do orifício de drenagem.

## Substituir as velas de ignição

Substitua a vela de ignição uma vez por ano.

- Desligue o motor.
- Remova a cobertura da vela de ignição da vela de ignição.
- Limpe a área à volta da vela de ignição e retire a vela de ignição do cilindro.
- Defina a distância entre os elétrodos. Consulte *Especificações técnicas na página 182*.



- Instale uma nova vela de ignição. Aperte com um binário de 15 pés/lbs.

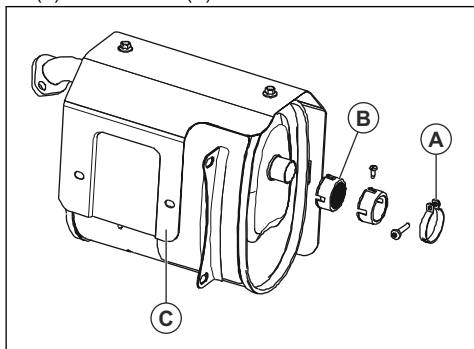
## Verificar a rede retentora de faíscas

Verifique e limpe a rede retentora de faíscas uma vez por ano ou mais frequentemente, se necessário.



**ATENÇÃO:** Em algumas áreas e condições, terá de utilizar uma rede retentora de faíscas para evitar o risco de incêndio. Respeite os regulamentos locais.

1. Retire a braçadeira (A) e a rede retentora de faíscas (B) do silenciador (C).



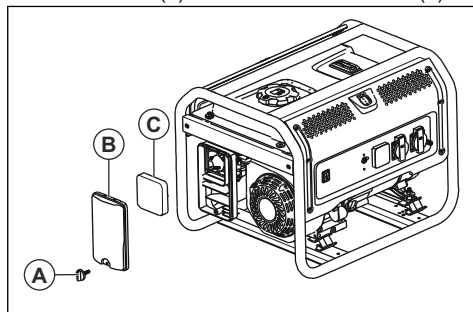
2. Limpe a rede retentora de faíscas com uma escova solvente disponível no mercado.
3. Examine a rede retentora de faíscas quanto a desgaste e danos. Substitua a rede retentora de faíscas, se necessário.



**CUIDADO:** Não utilize um produto com a rede retentora de faíscas danificada.

## Verificar o filtro de ar

1. Retire o botão (A) e a cobertura do filtro de ar (B).



2. Retire o filtro de ar (C).
3. Limpe o filtro de ar e a cobertura do filtro de ar com água e sabão.
4. Deixe o filtro de ar e a cobertura do filtro de ar secar.
5. Instale o filtro de ar, a cobertura do filtro de ar e o botão.

## Resolução de problemas

### Esquema de resolução de problemas

Problema	Causa	Solução
O motor para quando tem demasiada carga.	O filtro de ar não está limpo.	Limpe ou substitua o filtro de ar.
	O motor não está quente.	Deixe o motor aquecer antes da utilização.
O motor tem falhas de ignição.	A vela de ignição está solta.	Verifique as ligações dos fios.
	Distância incorreta entre os eletrodos.	Substitua a cobertura da vela de ignição.
	A cobertura da vela de ignição está danificada.	Substitua a cobertura da vela de ignição.
	Gasolina fora de validade ou de baixa qualidade.	Encher o depósito de combustível.
	Compressão incorreta.	Ajuste a compressão.

Problema	Causa	Solução
O motor para de repente.	O nível de óleo de motor é baixo.	Abasteça o óleo de motor.
	O depósito de combustível está vazio ou tem gasolina de baixa qualidade.	Encher o depósito de combustível.
	Tampa do depósito de combustível com defeito.	Substitua a tampa do depósito de combustível.
	Íman com defeito.	Contacte um revendedor com assistência técnica aprovado.
	A cobertura da vela de ignição não está corretamente instalada.	Instale a cobertura da vela de ignição.
Ocorre batimento do motor.	Gasolina fora de validade ou de baixa qualidade.	Encher o depósito de combustível.
	Sobrecarga no motor.	Consulte <i>Evitar a sobrecarga do produto na página 177</i> .
	Problema mecânico.	Contacte um revendedor com assistência técnica aprovado.
O motor "rebenta".	Gasolina de baixa qualidade.	Encher o depósito de combustível.
	O motor está demasiado frio.	Utilize combustível para condições de frio e aditivos de óleo.
	A válvula de entrada está bloqueada ou o motor está demasiado quente.	Contacte um revendedor com assistência técnica aprovado.
	Tempo de ignição incorreto.	Verifique o tempo de ignição.
O produto não tem alimentação.	O produto não está ligado à fonte elétrica.	Pare o produto e desligue-o. Ligue o produto e volte a arrancá-lo.
	Um disjuntor disparou.	Pare o produto e desligue-o. Reinicie o disjuntor. Ligue o produto e volte a arrancá-lo.
	O conector está engatado.	Pare o produto e desligue-o. Teste o conector. Se o conector não estiver danificado, inicie e volte a ligar o produto.
	É necessária assistência.	Contacte um revendedor com assistência técnica aprovado.
O produto não funciona corretamente.	Problema com um dispositivo elétrico.	Desligue o dispositivo elétrico. Contacte um revendedor com assistência técnica aprovado.
	Existe demasiada carga no produto.	Diminua a quantidade de dispositivos elétricos ligados ao produto.



**CUIDADO:** Se o problema persistir, contacte um revendedor com assistência técnica aprovado.

## Preparar o produto para um armazenamento a longo prazo

Efetue os passos que se seguem se o produto for armazenado durante mais de 30 dias. O procedimento que se segue evita problemas com o sistema de combustível.

1. Adicione um estabilizador de combustível ao combustível. O estabilizador de combustível tem de estar em conformidade com a recomendação do fabricante.
2. Utilize o produto durante 10 a 15 minutos.
3. Deixe o motor arrefecer e drene o depósito de combustível.



**CUIDADO:** Não guarde combustível durante o armazenamento a longo prazo. Elimine a gasolina que não estiver limpa.

4. Ligue o motor e deixe-o funcionar até que todo o combustível tenha sido utilizado e o produto pare.
5. Deixe o motor arrefecer antes de substituir o óleo de motor.

6. Retire a cobertura da vela de ignição e coloque ½ oz/15 ml de óleo de motor no cilindro.
7. Coloque um pano no orifício da vela de ignição para proteção.
8. Puxe o punho do cabo de arranque cinco vezes para lubrificar as peças do motor.
9. Instale e aperte a vela de ignição.



**ATENÇÃO:** Não instale a cobertura da vela de ignição.

10. Limpar o produto.
11. Coloque o produto num local limpo e seco, no interior.
12. Coloque uma cobertura no produto para proteção.



**ATENÇÃO:** Não coloque uma cobertura no produto se este estiver quente.

## Especificações técnicas

### Especificações técnicas

	Husqvarna G1300P	Husqvarna G1300P	Husqvarna G2500P	Husqvarna G2500P	Husqvarna G3200P
Cilindrada do motor, cc	98,5	98,5	196	196	212
Potência de pico, W <sup>19</sup>	1000	1200	2200	2800	3000
Potência nominal, W	800	1000	2000	2500	2800
Tensão, V	230	110/220, 120/240	230	110/220, 120/240	230
Frequência nominal, Hz	50	60	50	60	50
Fase	1	1	1	1	1
Peso líquido, kg	28,0	28,0	43,0	43,0	49,0
Peso bruto, kg	29,2	29,2	45,0	45,0	51,0
Tamanho da embalagem, mm	500X375X435	500X375X435	500X375X435	500X375X435	625X495X495

<sup>19</sup> A potência máxima está sujeita e é limitada por fatores como o teor energético do combustível, a temperatura ambiente, a altitude, o estado do motor, etc. A potência máxima diminui cerca de 3,5% por cada 1000 pés acima do nível do mar; e também diminui cerca de 1% por cada 6 °C (10 °F) acima da temperatura ambiente de 16 °C (60 °F).

	Husqvarna G1300P	Husqvarna G1300P	Husqvarna G2500P	Husqvarna G2500P	Husqvarna G3200P
Capacidade do depósito de óleo, l	0,45	0,45	0,6	0,6	0,6
Distância entre os elétrodos, mm/pol.	0,76/0,030	0,76/0,030	0,76/0,030	0,76/0,030	0,76/0,030
Tipo	Gasolina	Gasolina	Gasolina	Gasolina	Gasolina
Nível de potência sonora, medido, dB (A)			95	95	96
Nível de potência sonora, garantido, dB (A)			95	95	96

	Husqvarna G3200P	Husqvarna G5500P	Husqvarna G5500P	Husqvarna G8500P	Husqvarna G8500P
Cilindrada do motor, cc	212	389	389	458	458
Potência de pico, W <sup>20</sup>	3200	5500	6000	8000	8500
Potência nominal, W	3000	5000	5500	7500	8000
Tensão, V	110/220, 120/240	230	110/220, 120/240	230	110/220, 120/240
Frequência nominal, Hz	60	50	60	50	60
Fase	1	1	1	1	1
Peso líquido, kg	49,0	88,0	88,0	106,4	106,4
Peso bruto, kg	51,0	91,0	91,0	109,5	109,5
Tamanho da embalagem, mm	625X495X495	720X560X585	720X560X585	720X560X585	720X560X585
Capacidade do depósito de óleo, l	0,6	1,1	1,1	1,1	1,1
Distância entre os elétrodos, mm/pol.	0,76/0,030	0,76/0,030	0,76/0,030	0,76/0,030	0,76/0,030
Tipo	Gasolina	Gasolina	Gasolina	Gasolina	Gasolina

<sup>20</sup> A potência máxima está sujeita e é limitada por fatores como o teor energético do combustível, a temperatura ambiente, a altitude, o estado do motor, etc. A potência máxima diminui cerca de 3,5% por cada 1000 pés acima do nível do mar; e também diminui cerca de 1% por cada 6 °C (10 °F) acima da temperatura ambiente de 16 °C (60 °F).

	Husqvarna G3200P	Husqvarna G5500P	Husqvarna G5500P	Husqvarna G8500P	Husqvarna G8500P
Nível de potência sonora, medido, dB (A)	96				
Nível de potência sonora, garantido, dB (A)	96				

## Guia de referência de Watts

**Nota:** Todos os valores são aproximados. Consulte a etiqueta de dados no aparelho para conhecer os requisitos de potência.

Dispositivo	W de funcionamento	W de arranque adicional
<b>Emergência</b>		
Frigorífico/congelador	700	1500
Rádio	100	0
<b>Local de trabalho</b>		
Compressor de ar - ½ CV	1000	1000
Serra de mesa - 10"	1700	1300
Lixadora de correia - 3"	1200	1200
Broca manual - ½"	600	600
Luz de trabalho de halogéneo	1000	0
Serra com movimento alternativo	900	900
<b>Lazer</b>		
Rádio AM/FM	100	0
Grelhador elétrico	1700	0
Bomba de enchimento 50	100	-
Leitor de CD/DVD	100	0
Ventoinha - 20"	200	200
Máquina de café	600	0
<b>Habitação</b>		
Computador com monitor	800	0
Secador de roupa elétrico	5500	500
Produtos elétricos	2100	0
Esquentador elétrico	2000	0
Lâmpada - 100 W	100	0
Micro-ondas - 1000 W	1000	200



<b>Dispositivo</b>	<b>W de funcionamento</b>	<b>W de arranque adicional</b>
Bomba de depósito - ½ CV	1000	1100
Televisão	400	0
Máquina de lavar	1100	1100
Bomba para poços - ½ CV	1000	1000
<b>Relvado e jardim</b>		
Tesoura para sebes	400	400
Máquina de lavar à pressão	1200	1200
Corta-relva	1200	1200
Aparador	1000	1000
<b>Aquecimento e arrefecimento</b>		
Ar condicionado central - 10 000 BTU	1500	1500
Ventoinha do forno - ½ CV	900	1400
Aquecedor	1800	0
AC de janelas - 10 000 BTU	1200	600

---

# Declaração CE de conformidade

---

## Declaração de conformidade CE

Para as seguintes máquinas:

- Nome do produto: Gerador portátil
- Função: Conjunto de gerador de baixa potência
- N.º do modelo: G 2500P, G 3200P
- N.º de série: 1945013770, 1945013793 e posteriores

### **confirma-se aqui a conformidade de todas as disposições relevantes da**

- Diretiva sobre maquinaria (2006/42/CE)
- Diretiva relativa a baixa tensão (2014/35/UE)
- Diretiva relativa à restrição de substâncias perigosas (RoHS) (2011/65/UE)
- Diretiva de compatibilidade eletromagnética (2014/30/UE)
- Diretiva de emissões de ruído para equipamento de uso externo (2000/14/CE + 2005/88/CE)

### **e a conformidade com as normas harmonizadas:**

- EN ISO 8528-13:2016, EN 61000-6-1:2007; EN 55012:2007+A1

### **Procedimento da avaliação de conformidade: 2000/14/CE, retificada pela 2005/88/CE- Anexo VI**

TÜV Rheinland LGA Products GmbH, entidade competente relativamente a máquinas (notificada de acordo com 0197), Tillystraße 2 - 90431 Nürnberg, Alemanha, efetuou a certificação de ruído. Para obter informações sobre as emissões de ruído, consulte *Especificações técnicas na página 182*.

Husqvarna, 10-06-2020



Claes Losdal, Chefe de Desenvolvimento/Produtos de Jardinagem (representante autorizado da Husqvarna AB e responsável pela documentação técnica).

# CUPRINS

Introducere.....	187	Întreținerea.....	196
Siguranță.....	190	Depanarea.....	199
Asamblarea.....	193	Pregătirea produsului pentru depozitarea pe termen lung.....	200
Instalare.....	194	Date tehnice.....	201
Funcționarea.....	194	Declarație de conformitate CE.....	204

## Introducere

### Descrierea produsului

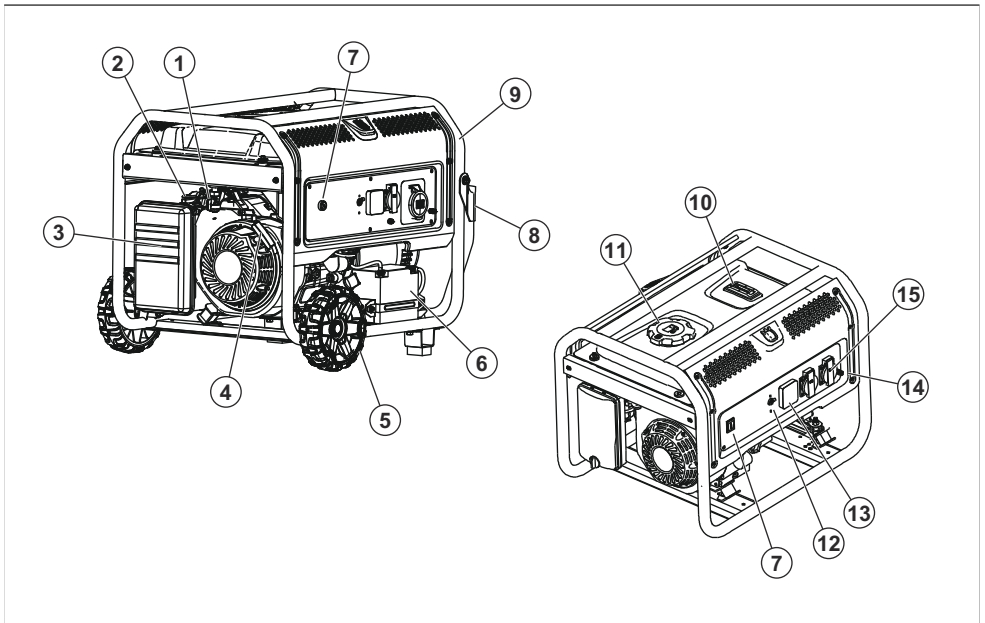
Acest produs este un generator portabil cu un motor cu combustie.

electrică disponibilă. Nu utilizați produsul pentru alte sarcini.

### Domeniul de utilizare

Produsul furnizează energie electrică pentru utilizarea dispozitivelor electrice în locuri în care nu există energie

### Prezentarea generală a produsului



1. Supapă carburant
2. Șoc
3. Filtru de aer
4. Mâner pentru șnurul de pornire
5. Roată
6. Baterie
7. Întrerupător
8. Mâner
9. Cadru
10. Indicator nivel de carburant
11. Bușon rezervor de carburant
12. Întrerupătoare de curent alternativ
13. Contor digital: prezintă tensiunea, frecvența și ora în timpul funcționării
14. Borne de ieșire
15. Borne de ieșire

14. Bornă de împământare

15. Priză c.a.

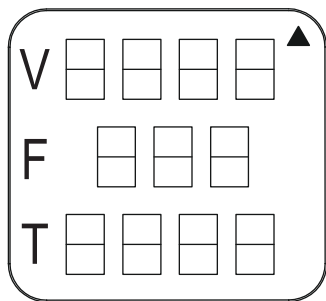
## Bornă de 12 V c.c.

Borna de 12 V c.c. este o sursă de alimentare pentru unitățile de 12 V c.c.



## Contor digital: prezintă tensiunea, frecvența și ora în timpul funcționării

Contorul VFT indică tensiunea, frecvența și timpul total de funcționare a produsului.



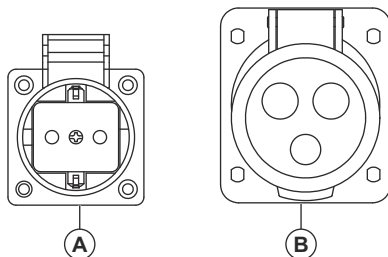
## Prize c.a.

Produsul are mai multe prize c.a. pentru a alimenta unelte și echipamente. Prizele c.a. sunt diferite pentru diferite zone ale pieței.

UE, monofazică, 50 Hz

A: Priză de 230 V cu 2 pini.

B: Priză de 32 A, 230 V, cu 3 pini.

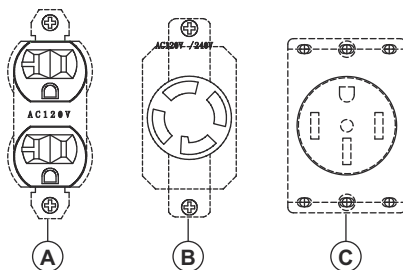


SUA, monofazică, 60 Hz

A: Priză duplex de 120 V cu 3 pini.

B: Priză de 30 A, 120/240 V, cu 4 pini și blocare prin răsucire.

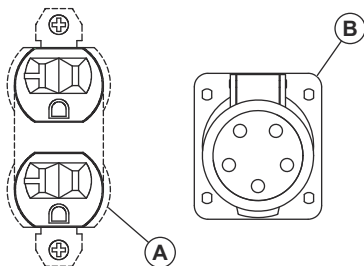
C: Priză de 50 A, 120/240 V cu 4 pini.



SUA, trifazică, 60 Hz

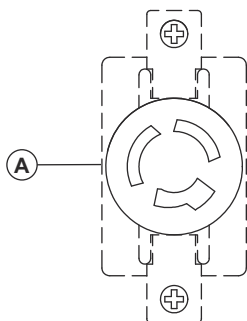
A: Priză duplex de 110 V cu 3 pini.

B: Priză trifazică de 127/220 V cu 5 pini.



CN, monofazică, 50 Hz

A: Priză de 230 V cu 3 pini și blocare prin răsucire.



## Simbolurile de pe produs



**AVERTISMENT!** Acționați cu grijă și utilizați corect produsul. Acest produs poate cauza vătămări corporale grave sau decesul operatorului sau al altor persoane.



Citiți cu atenție manualul operatorului și asigurați-vă că înțelegeți instrucțiunile înainte de a utiliza acest produs.



Risc de incendiu sau de explozie.



Risc de otrăvire cu monoxid de carbon. Nu operați produsul în zone cu flux de aer necorespunzător.



Risc de electrocutare.



Pericol de vătămări corporale prin arsură.



Adăugați ulei.



Adăugați combustibil.



Deschideți supapa de carburant.



Deplasați întrerupătorul în poziția de pornire ON.



Deplasați șocul în poziția de oprire OFF.



Deplasați șocul în poziția de pornire ON.



Trageți de mânerul șnurului de pornire.



Conectați sarcinile electrice.



Deconectați sarcinile electrice.



Închideți valva de combustibil.



Emisiile de zgomot în mediu, conform Directivei Europene 2000/14/CE și a Regulamentului New South Wales din 2017 privind operațiunile de protecție a mediului (controlul zgomotului). Datele

privind emisiile de zgomot pot fi găsite pe eticheta utilajului și la capitolul Date tehnice.



Nu utilizați produsul în spații închise.



Utilizați produsul în aer liber. Țineți produsul departe de ferestre, uși sau orificii de aerisire.



50 sec

Deplasați șocul în poziția de pornire ON și așteptați 50 secunde.




50 sec

Deplasați șocul în poziția de oprire OFF și așteptați 50 secunde.

OFF +  30 sec

Așteptați 30 de secunde și setați întrerupătorul în poziția de oprire OFF.

## Plăcuță de identificare

Husqvarna		Prod. year 0000
Product	<input type="text"/>	
Serial No.	<input type="text"/>	
Article No.	<input type="text"/>	
Model	<input type="text"/>	
Weight	<input type="text"/>	
Rated current	<input type="text"/>	
Max Power	<input type="text"/>	
COP Power	<input type="text"/>	
Voltage	<input type="text"/>	
Rated Frequency	<input type="text"/>	
Power factor	<input type="text"/>	
Performance class	<input type="text"/>	
Quality class	<input type="text"/>	
Protection class	<input type="text"/>	
Husqvarna AB SE-561 82 Huskvarna Sweden		Low-power generating set 

## Siguranță

### Definiții privind siguranța

Avertismentele, atenționările și notele sunt utilizate pentru a desemna părți foarte importante din manual.



**AVERTISMENT:** Se utilizează dacă există risc de vătămare sau de deces pentru operator sau pentru trecători, în cazul în care instrucțiunile din manual nu sunt respectate.



**ATENȚIE:** Se utilizează dacă există un risc de deteriorare a produsului, a altor materiale sau a zonelor învecinate, dacă instrucțiunile din manual nu sunt respectate.

**Nota:** Se utilizează pentru a furniza mai multe informații care sunt necesare într-o situație dată.

### Instrucțiuni generale de siguranță



**AVERTISMENT:** Înainte de a utiliza produsul, citiți și înțelegeți instrucțiunile de avertizare de mai jos.

- Citiți și înțelegeți manualul operatorului și etichetele de avertizare de pe produs înainte de utilizare. Siguranța dvs. și siguranța celor din jur sunt responsabilitatea dvs.

- Respectați instrucțiunile din acest manual al operatorului.
- Nu este posibilă emiterea unui avertisment pentru fiecare situație care poate apărea în timpul operării și al întreținerii acestui produs. Procedați întotdeauna cu atenție și folosiți-vă judecata.

### Reguli de siguranță referitoare la carburant



**AVERTISMENT:** Înainte de a utiliza produsul, citiți și înțelegeți instrucțiunile de avertizare de mai jos.

- Benzina este extrem de inflamabilă, iar vaporii sunt explozivi. Nu permiteți fumatul, flăcările deschise, scânteile sau căldura în apropiere, în timpul manipulării benzinei.
- Nu adăugați niciodată combustibil când produsul funcționează sau este fierbinte. Lăsați motorul să se răcească complet înainte de a adăuga combustibil.
- Nu umpleți niciodată rezervorul cu carburant dacă vă aflați într-un spațiu interior.
- Respectați toate legile care reglementează depozitarea și manipularea benzinei.
- Nu umpleți excesiv rezervorul de combustibil. Lăsați întotdeauna loc pentru expansiunea combustibilului. Dacă rezervorul este umplut prea mult, combustibilul poate curge pe motorul fierbinte și poate provoca un incendiu sau o explozie.

- Nu depozitați niciodată produsul având combustibil în rezervor în locuri în care vaporii de benzină ar putea ajunge la o flacără deschisă, la scânteii sau flăcări-pilot (de exemplu, pe un furnal, boiler de apă sau uscător de haine). Pot rezulta incendii sau explozii. Lăsați produsul să se răcească complet înainte de a-l depozita.
- Ștergeți imediat orice urmă de combustibil sau de ulei scurs. Asigurați-vă că nu rămân materiale combustibile pe produs sau în apropierea acestuia. Păstrați zona din jurul produsului curată și fără resturi. Păstrați un spațiu de 5 ft. pe toate părțile pentru a permite o ventilație adecvată a produsului.
- Nu utilizați produsul dacă un dispozitiv electric conectat se supraîncălzește, dacă se pierde curent electric sau în cazul în care se observă flăcări sau fum în timpul funcționării produsului.
- Păstrați permanent un stingător de incendiu în apropierea produsului.
- Evitați vărsarea combustibilului pe un motor fierbinte.
- Nu fumați și nu aprindeți țigări în apropierea produsului sau a carburantului.
- Goliți combustibilul într-un recipient omologat, în aer liber, departe de flăcări deschise. Asigurați-vă că motorul este rece.

## Protejarea împotriva gazelor de eșapament



**AVERTISMENT:** Înainte de a utiliza produsul, citiți și înțelegeți instrucțiunile de avertizare de mai jos.

- Nu utilizați niciodată produsul într-un spațiu închis sau într-o clădire! Nu utilizați niciodată produsul în casă, într-un vehicul sau în spații parțial închise, cum ar fi garajele, chiar dacă ușile și ferestrele sunt deschise! Utilizați produsul numai în aer liber și departe de ferestre, uși, orificii de aerisire deschise și într-o zonă în care nu se vor acumula gaze de eșapament mortale.
- Gazele de eșapament ale motorului conțin monoxid de carbon, pe care nu îl puteți vedea sau mirosi. Dacă este respirat în concentrații suficiente, acest gaz otrăvitor poate provoca pierderea conștiinței sau chiar moartea.
- Pentru funcționarea corectă a produsului, este esențial să existe un flux de aer de răcire și ventilare adecvat și neobstrucționat. Nu modificați instalația sau nu permiteți blocarea nici măcar parțială a gurilor de ventilație, deoarece acest lucru poate afecta grav funcționarea în siguranță a produsului. Produsul trebuie să fie utilizat în aer liber.
- În spații închise, utilizați întotdeauna o alarmă pentru monoxid de carbon, cu baterie, instalată conform instrucțiunilor producătorului.
- Dacă începeți să vă simțiți rău, amețiți(ă) sau slăbiți(ă) după ce utilizați produsul, ieșiți imediat

la aer curat. Consultați un medic, deoarece este posibil să vă intoxicați cu monoxid de carbon.

## Siguranța privind echipamentele electrice



**AVERTISMENT:** Înainte de a utiliza produsul, citiți și înțelegeți instrucțiunile de avertizare de mai jos.

- Produsul generează o tensiune periculoasă de înaltă în timpul funcționării. Evitați contactul cu firele neizolate, bornele, conexiunile etc. în timp ce produsul funcționează, chiar și cu echipamentul conectat la produs. Asigurați-vă că sunt montate toate capacele, apărătoarele și barierele adecvate înainte de a utiliza produsul.
- Nu manipulați niciodată niciun fel de cablu sau dispozitiv electric când stați în apă, când nu purtați încălțăminte sau când aveți mâinile sau picioarele umede. Se poate produce un șoc electric periculos.
- Unele țări pot solicita ca piesele externe conductoare de electricitate ale produsului și cadrul să fie conectate corespunzător la o priză de pământ omologată. În unele țări poate fi obligatorie împământarea corespunzătoare a produsului. Consultați un electrician local pentru a afla care sunt cerințele privind împământarea în zonă.
- Utilizați un întrerupător de scurtcircuit pentru legarea la masă (GFCI) în orice zonă cu umiditate ridicată sau puternic conductoare (cum ar fi pentru montarea platformelor metalice sau pentru lucrările cu oțel).
- Nu folosiți seturi de cabluri electrice uzate, neizolate sau deteriorate în alt mod împreună cu produsul.
- În caz de accident cauzat de electrocutare, opriți imediat sursa de energie electrică. Dacă acest lucru nu este posibil, încercați să eliberați victima de conductorul sub tensiune. Evitați contactul direct cu victima. Utilizați un obiect neconductor, cum ar fi o frânghie sau o scândură, pentru a elibera victima de conductorul sub tensiune. Dacă victima este inconștientă, acordați primul ajutor și solicitați asistență medicală imediat.

## Instrucțiuni de siguranță pentru utilizare



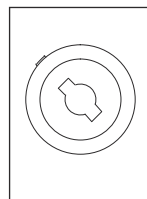
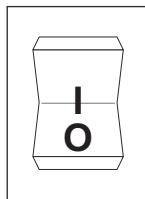
**AVERTISMENT:** Înainte de a utiliza produsul, citiți și înțelegeți instrucțiunile de avertizare de mai jos.

- Utilizați produsul numai pe suprafețe plate și pe care nu va fi expus la umezeală excesivă, murdărie, praf sau vapori corozivi.
- Țineți mâinile, picioarele, hainele etc. departe de curelele de transmisie, ventilatoare și alte piese în mișcare. Nu scoateți niciodată apărătoarea ventilatorului sau scutul cât timp unitatea funcționează.

- Anumite piese ale generatorului se încălzesc extrem de mult în timpul funcționării. Păstrați distanța față de generator până se răcește, pentru a evita arsurile.
- Nu utilizați produsul în ploaie.
- Nu modificați structura produsului sau comenzile, ceea ce ar putea crea condiții de funcționare nesigură.
- Nu porniți sau nu opriți niciodată produsul cu sarcini electrice conectate la prize și cu dispozitivele conectate pornite. Porniți motorul și lăsați-l să se stabilizeze înainte de a conecta sarcinile electrice. Deconectați toate sarcinile electrice înainte de a opri generatorul.
- Nu introduceți obiecte prin fantele de răcire ale produsului, chiar dacă motorul nu funcționează.
- Când lucrați la acest echipament, rămâneți permanent în stare de alertă. Nu lucrați niciodată la echipament când sunteți obosit(ă) fizic sau mental.
- Nu utilizați niciodată produsul sau oricare dintre piesele acestuia ca treaptă. Călcarea pe produs poate suprasolicita și rupe piese și poate crea condiții de funcționare periculoase din cauza scurgerilor de gaze de eșapament, de combustibil sau de ulei etc.
- Asigurați-vă că v-ați familiarizat cu toate comenzile și reglajele înainte de utilizare.
- Nu suprasolicitați produsul. De asemenea, nu supraîncărcați prizele individuale de pe panou. Aceste prize sunt protejate împotriva suprasarcinii prin întrerupătoare de circuit. Dacă intensitatea nominală a oricărui întrerupător este depășită, întrerupătorul respectiv deschide circuitul și astfel se pierde ieșirea electrică către priza respectivă.
- Nu porniți sau opriți niciodată motorul cu dispozitive electrice pornite și conectate la prize.

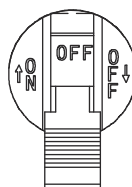
## Întrerupător

Utilizați întrerupătorul pentru a porni și opri motorul.



## Întrerupătoare de circuit

Întrerupătoarele de circuit previn suprasarcina produsului. Informațiile despre valoarea nominală a întrerupătorului de circuit sunt indicate în apropierea acestuia.



## Dispozitivele de siguranță de pe produs

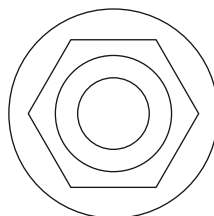


**AVERTISMENT:** Înainte de a utiliza produsul, citiți instrucțiunile de avertizare de mai jos.

- Nu utilizați un produs cu dispozitive de siguranță deteriorate.
- Verificați regulat dispozitivele de siguranță. Dacă dispozitivele de siguranță sunt defecte, contactați agentul de service Husqvarna.

## Bornă de împământare

Borna de împământare asigură împământarea corectă a produsului. Înainte de fiecare utilizare, trebuie conectat un cablu de masă la borna de împământare.





## Instrucțiuni de siguranță pentru întreținere



**AVERTISMENT:** Înainte de a efectua lucrări de întreținere asupra produsului, citiți și înțelegeți instrucțiunile de avertisment de mai jos.

- Din motive de siguranță, producătorul recomandă ca întreținerea acestui echipament să fie efectuată de un distribuitor autorizat. Inspectați generatorul periodic și contactați cel mai apropiat distribuitor autorizat pentru piesele de schimb care trebuie reparate sau înlocuite.
- Acest produs este echipat cu o tobă de eșapament care are o sită parascântei. Dacă se utilizează o sită parascântei, aceasta trebuie menținută în stare bună de funcționare de către proprietar/operator.
- Sistemul de evacuare trebuie să fie întreținut corespunzător. Nu efectuați acțiuni care ar putea face sistemul de evacuare nesigur sau neconform cu regulile și/sau standardele locale.

- Înainte de a efectua întreținerea produsului, deconectați bateria de pornire a motorului (dacă există) pentru a preveni pornirea accidentală. Deconectați mai întâi cablul de la borna bateriei indicată de un simbol pentru valori negative, NEG sau (-). Reconectați acest cablu ultimul.
- Orice încercare de pornire asistată sau de pornire a motorului înainte de a fi turnat uleiul recomandat poate cauza defectarea motorului.
- Când lucrați la produs, debransați întotdeauna pipa bujiei de la bujie și țineți-o la distanță de aceasta.
- Uleiul fierbinte poate provoca arsuri. Lăsați motorul să se răcească înainte de scurgerea uleiului. Evitați expunerea prelungită sau repetată a pielii la ulei uzat. Spălați zonele expuse temeinic cu săpun.
- Garanția produsului nu acoperă componentele care au fost defectate ca urmare a neglijenței operatorului. Pentru a beneficia de valoarea completă a garanției, operatorul trebuie să întrețină produsul conform instrucțiunilor din manualul de utilizare.

## Asamblarea

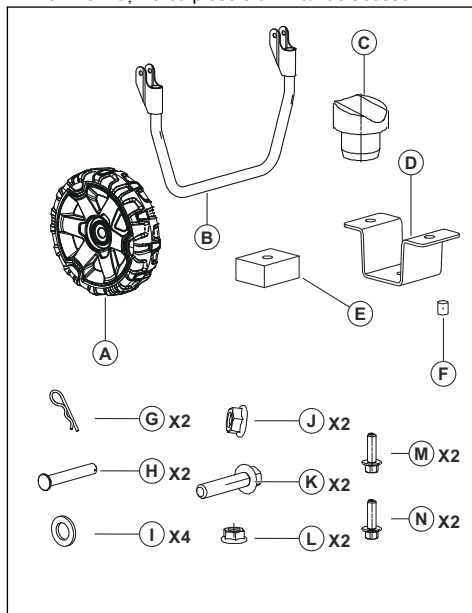
### Introducere



**AVERTISMENT:** Citiți și înțelegeți capitolul referitor la siguranță înainte de asamblarea produsului.

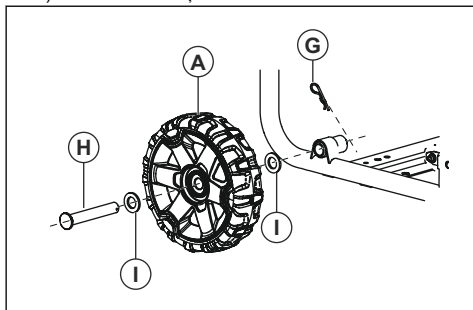
### Asamblarea kitul de accesorii (G5500P, G8500P)

1. Familiarizați-vă cu piesele din kitul de accesorii.

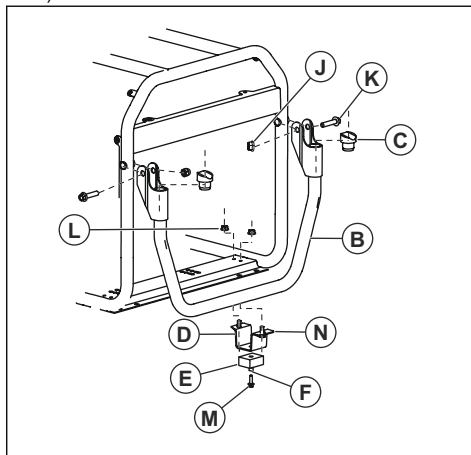


2. Asamblați kitul de accesorii. Consultați ilustrațiile.

a) Asamblarea roților:



b) Asamblarea mânerului:



## Instalare

### Introducere



**AVERTISMENT:** Citiți și înțelegeți capitolul referitor la siguranță înainte de instalarea produsului.

### Împământarea produsului



**AVERTISMENT:** Produsul trebuie să fie împământat de o persoană cu experiență și cunoștințe adecvate în domeniul electric. În anumite zone, instalarea trebuie realizată de un electrician autorizat. Respectați reglementările locale.

1. Introduceți o tijă de împământare până la minimum 24 in. în sol.



**AVERTISMENT:** Tija de împământare trebuie să fie din alamă sau cupru.

2. Conectați un cablu de masă de 2,5 mm<sup>2</sup> între borna de împământare de pe panoul de control și tija de împământare.

**Nota:** Cablul de masă și tija de împământare nu sunt furnizate împreună cu produsul.

### Conectarea produsului la sistemul electric al unei clădiri



**AVERTISMENT:** Produsul trebuie să fie împământat de o persoană cu experiență și cunoștințe adecvate în domeniul electric. În anumite zone, instalarea trebuie realizată de un electrician autorizat. Respectați reglementările locale.

- Utilizați doar prize, fișe și cabluri aprobate când conectați produsul la un sistem electric.
- Asigurați-vă că efectuați procedura în conformitate cu toate reglementările naționale și locale.

## Funcționarea

### Introducere



**AVERTISMENT:** Citiți și înțelegeți capitolul referitor la siguranță înainte de utilizarea produsului.

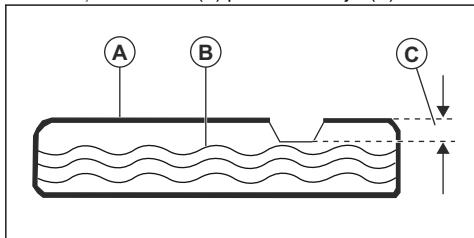
### Alimentarea cu carburant

Utilizați benzină fără plumb. Nu utilizați benzină cu o concentrație de etanol de peste 10 % sau benzină E85.



**ATENȚIE:** Nu amestecați benzină cu ulei.

1. Oprii motorul și lăsați produsul să se răcească. Consultați *Oprirea produsului la pagina 196*.
2. Asigurați-vă că produsul este amplasat pe o suprafață orizontală și într-o zonă cu un flux de aer adecvat.
3. Scoateți capacul rezervorului de carburant.
4. Umpleți rezervorul de combustibil (A) cu atenție. Turnați combustibilul (B) până la marcajul (C).



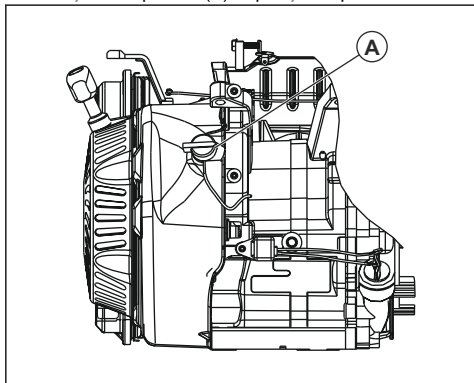
5. Curățați produsul de carburantul vărsat.



**ATENȚIE:** Carburantul vărsat prezintă risc de incendiu și poate afecta mediul.

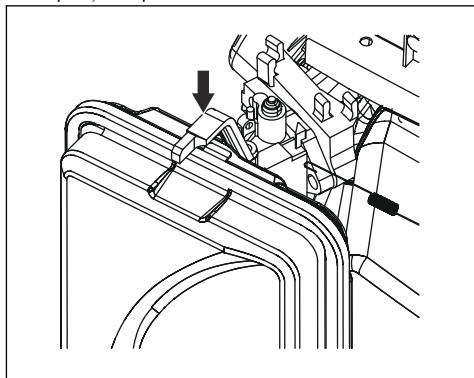
## Pornirea produsului

1. Deconectați toate sarcinile electrice de la prizele de pe panoul de control.
2. Asigurați-vă că produsul este amplasat pe o suprafață orizontală.
3. Deschideți supapa de carburant.
4. Setaiți întrerupătorul (A) în poziția de pornire ON.



5. Deplasați șocul în poziția de oprire OFF.
6. Trageți încet de mânerul șnurului de pornire, până când simțiți o oarecare rezistență.
7. Trageți rapid și cu forță de mânerul șnurului de pornire până când motorul pornește.
8. Pentru pornirea electricității, efectuați pașii următori.
  - a) Apăsăți și mențineți apăsată tasta ON/OFF/START în poziția START.

- b) Când motorul pornește, deplasați tasta ON/OFF/START în poziția de pornire ON.
9. Deplasați șocul în poziția de ½ de șoc.
  10. Atunci când motorul funcționează lin, deplasați șocul în poziția de pornire ON.



**Nota:** Pentru G1300P, pozițiile de pornire ON și de oprire OFF ale șocului sunt în puncte opuse.

## Conectarea sarcinilor electrice



**AVERTISMENT:** Nu conectați prize între 240 (230) V și 120 (110) V. Nu conectați sarcini electrice trifazice la un produs monofazic. Nu conectați sarcini electrice de 50 Hz la un produs de 60 Hz.

1. Porniți motorul și lăsați-l să se încălzească câteva minute. Consultați *Pornirea produsului la pagina 195*.
2. Conectați și porniți sarcinile electrice.
3. Asigurați-vă că produsul nu este supus unei suprasarcini. Consultați *Prevenirea suprasarcinii în produs la pagina 195*.

## Prevenirea suprasarcinii în produs

Suprasarcina poate cauza deteriorarea produsului și a dispozitivelor electrice conectate. Urmați pașii următori pentru a preveni apariția unei suprasarcini în produs.

- Adunați numărul total de wași al tuturor dispozitivelor electrice care urmează să fie conectate în același timp.



**ATENȚIE:** Numărul total de wași nu trebuie să fie mai mare decât capacitatea maximă de putere a produsului.

- Pentru puterea nominală a luminilor puteți utiliza valoarea pentru becuri. Puterea nominală a uneltelor, echipamentelor și motoarelor poate fi găsită pe autocolantele de pe fiecare dispozitiv.

- Dacă puterea nu este specificată pe produs, unealtă sau echipament, înmulțiți tensiunea cu intensitatea nominală.
- Întotdeauna conectați primele la produs dispozitivele electrice cu cea mai mare putere de pornire. Apoi adăugați puterea tuturor celorlalte sarcini electrice conectate.



**AVERTISMENT:** Nu opriți motorul dacă sarcinile electrice sunt pornite și conectate la produs.

2. Lăsați motorul să funcționeze fără sarcină timp de 30 de secunde.
3. Deplasați întrerupătorul în poziția de oprire OFF.
4. Închideți valva de combustibil.

## Oprirea produsului

1. Opriți și deconectați toate sarcinile electrice de la prizele de pe panoul de control.

## Întreținerea

### Introducere



**AVERTISMENT:** Citiți și înțelegeți capitolul privind siguranța înainte de a efectua operații de întreținere asupra produsului.

### Program de întreținere

\* Curățați la intervale mai regulate, dacă produsul este utilizat în medii cu mult praf.

\*\* Întreținerea trebuie efectuată de un distribuitor de service aprobat.

Întreținerea	În- treținere zilnică înainte de utili- zare	Interval de întreținere în ore				
		La 20 de ore sau lu- nar	La 50 de ore sau la 3 luni	La 100 de ore sau la 6 luni	La 300 de ore sau 1 dată pe an	La fie- care 2 ani
Curățați produsul.	X					
Efectuați o verificare a nivelului uleiului de motor.	X					
Verificați filtrul de aer.	X					
Curățați filtrul de aer.	X					
Verificați recipientul de depuneri.	X					
Înlocuiți uleiul de motor.		X*				
Curățați sau înlocuiți filtrul de aer.			X*			
Verificați și curățați bujia.				X		
Verificați turația de mers la ralanti. Reglați turația de mers la ralanti dacă este necesar.					X**	
Verificați jocul supapei. Reglați jocul supapei dacă este necesar.					X**	
Curățați rezervorul de combustibil, sorbul de combustibil și carburatorul.					X**	
Curățați camera de ardere.					X**	
Înlocuiți conductele de combustibil dacă este necesar.						X**

## Curățarea produsului



**ATENȚIE:** Nu utilizați apă pentru a curăța produsul. Apa poate deteriora produsul.

- Utilizați o cârpă umedă pentru a curăța suprafețele exterioare ale produsului.
- Utilizați o perie moale pentru a îndepărta murdăria și uleiul.
- Utilizați un aspirator pentru a îndepărta murdăria și materialele nedorite din produs.
- Utilizați aer comprimat pentru a îndepărta murdăria din fantele de răcire și din alte deschideri ale produsului.



**ATENȚIE:** Presiunea aerului comprimat nu trebuie să fie mai mare de 25 psi.

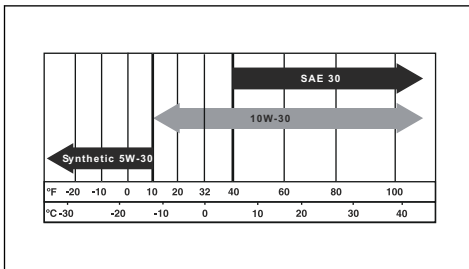
## Verificarea nivelului uleiului de motor



**ATENȚIE:** Nu operați produsul cu un nivel redus al uleiului de motor. Sunt posibile deteriorări ale motorului.

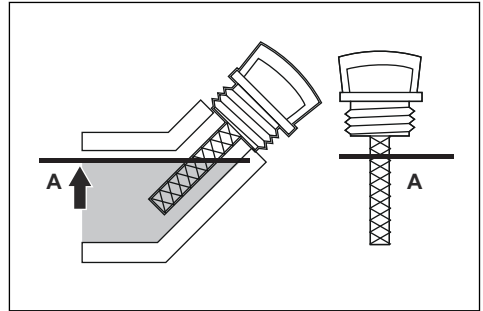


**ATENȚIE:** Utilizați ulei de motor din clasa SJ, clasa SL sau dintr-o clasă superioară, de la American Petroleum Institute (API). Nu folosiți aditivi speciali. Selectați un interval de viscozitate corespunzător cu temperatura ambiantă. Consultați ilustrația de mai jos.



1. Opriti complet produsul și asigurați-vă că este amplasat pe teren orizontal.
2. Curățați zona din jurul rezervorului de ulei.
3. Scoateți bușonul rezervorului de ulei și joja.
4. Curățați joja de ulei.
5. Introduceți joja înapoi complet în rezervorul de ulei.
6. Scoateți joja.
7. Examinați nivelul de ulei pentru motor de pe joă.

8. Dacă nivelul uleiului pentru motor este scăzut, turnați ulei până când nivelul acestuia ajunge la marcajul (A) de pe joă. Consultați *Date tehnice la pagina 201* pentru a afla capacitatea rezervorului de ulei.



9. Efectuați din nou o verificare a nivelului uleiului de motor.
10. Instalați bușonul rezervorului de ulei și joja.

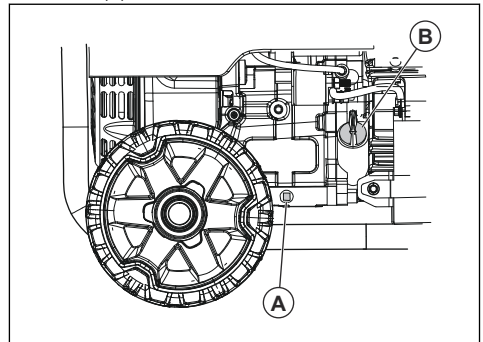
## Înlocuirea uleiului de motor

**Nota:** Scurgeți uleiul de motor cât timp motorul este cald. Uleiul de motor cald este mai ușor de evacuat.



**AVERTISMENT:** Uleiul pentru motor se încălzește foarte mult și poate provoca arsuri. Lăsați motorul să se răcească înainte de a îl goli de ulei.

1. Curățați zona din jurul bușonului de scurgere a uleiului (A).



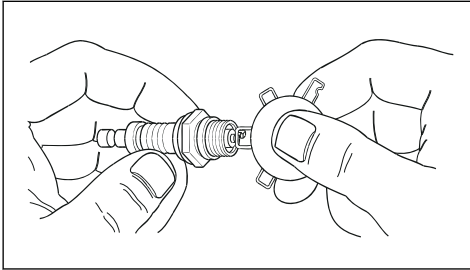
2. Amplasați un recipient pentru combustibil adecvat sub orificiul de scurgere.
3. Scoateți bușonul de scurgere a uleiului și capacul rezervorului de ulei (B).
4. Goliți uleiul pentru motor în recipient.
5. Montați și strângeți bușonul de scurgere a uleiului.
6. Umpleți cu ulei de motor. Consultați *Verificarea nivelului uleiului de motor la pagina 197*.

7. Ștergeți uleiul scurs.
8. Reciclați uleiul de motor uzat la o locație adecvată de eliminare a deșeurilor.

## Înlocuirea bujiei

Înlocuiți bujia de aprindere 1 dată pe an.

1. Opriiți motorul.
2. Scoateți pipa bujiei din aceasta.
3. Curățați zona din jurul bujiei și scoateți bujia din cilindru.
4. Setati distanța dintre electrozi. Consultați *Date tehnice la pagina 201*.



5. Montați o bujie a nouă. Cuplu de strângere de 15 ft/lbs.

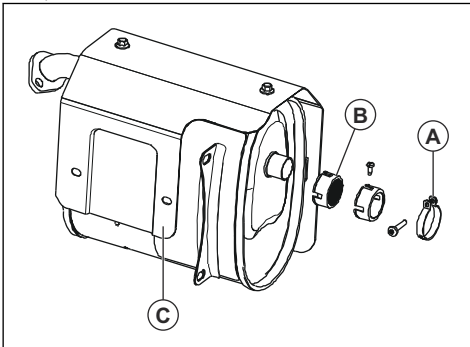
## Verificarea sitei parascântei

Verificați și curățați sita parascântei 1 dată pe an sau mai des dacă este necesar.



**AVERTISMENT:** În anumite zone și condiții, trebuie să utilizați o sită parascântei pentru a preveni riscul de incendiu. Respectați reglementările locale.

1. Scoateți clema (A) și sita parascântei (B) din toba de eșapament (C).



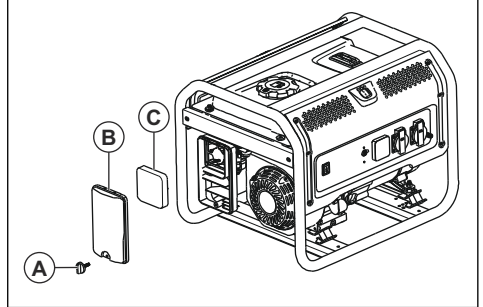
2. Curățați sita parascântei cu un solvent comercial.
3. Examinați sita parascântei pentru a detecta dacă prezintă semne de uzură și deteriorare. Înlocuiți sita parascântei dacă este necesar.



**ATENȚIE:** Nu utilizați un produs cu sita parascântei defectă.

## Pentru a verifica filtrul de aer

1. Scoateți butonul (A) și capacul filtrului de aer (B).



2. Scoateți filtrul de aer (C).
3. Curățați filtrul de aer și capacul acestuia cu apă și săpun.
4. Lăsați filtrul de aer și capacul acestuia se usuce.
5. Montați filtrul de aer, capacul acestuia și butonul.

# Depanarea

## Programul de depanare

Problemă	Cauză	Soluție
Motorul se oprește în caz de supra-sarcină.	Filtrul de aer nu este curat.	Curățați sau înlocuiți filtrul de aer.
	Motorul nu este încălzit.	Lăsați motorul să se încălzească înainte de utilizare.
Se produc rateuri în motor.	Bujia este slăbită.	Verificați conexiunile cablurilor.
	Distanță incorectă între electrozi.	Înlocuiți pipa bujiei.
	Pipa bujiei este deteriorată.	Înlocuiți pipa bujiei.
	Benzină expirată sau de calitate inferioară.	Orificiu de umplere cu carburant.
	Compresie incorectă.	Reglați compresia.
Motorul se oprește brusc.	Nivelul de ulei pentru motor este scăzut.	Umpleți cu ulei de motor.
	Rezervorul de combustibil este gol sau are benzină de calitate inferioară.	Orificiu de umplere cu carburant.
	Bușonul rezervorului de combustibil este defect.	Curățați capacul rezervorului de combustibil.
	Magnet defect.	Adresați-vă unui distribuitor de servicii autorizat.
	Pipa bujiei nu este montată corect.	Montați pipa bujiei.
Se produc bătăi în motor.	Benzină expirată sau de calitate inferioară.	Orificiu de umplere cu carburant.
	Suprasarcină în motor.	Consultați <i>Prevenirea suprasarcinii în produs la pagina 195</i> .
	Problemă mecanică.	Adresați-vă unui distribuitor de servicii autorizat.
Motorul dă rateuri.	Benzină de calitate inferioară.	Orificiu de umplere cu carburant.
	Motorul este prea rece.	Folosiți combustibil pentru temperaturi reduse și aditivi pentru ulei.
	Supapa de intrare este blocată sau motorul este prea fierbinte.	Adresați-vă unui distribuitor de servicii autorizat.
	Reglarea aprinderii este incorectă.	Verificați reglarea aprinderii.

Problemă	Cauză	Soluție
Produsul nu are putere.	Produsul nu este conectat la sursa de energie electrică.	Oprii produsul și deconectați-l. Conectați produsul și porniți-l din nou.
	S-a declanșat un întrerupător de circuit.	Oprii produsul și deconectați-l. Reporniți întrerupătorul de circuit. Conectați produsul și porniți-l din nou.
	Priza este cuplată.	Oprii produsul și deconectați-l. Efectuați o verificare a prizei. În cazul în care priza nu este deteriorată, porniți și conectați produsul din nou.
	Service-ul este necesar.	Adresați-vă unui distribuitor de servicii autorizat.
Produsul nu funcționează corect.	Problemă la un dispozitiv electric.	Deconectați dispozitivul electric. Adresați-vă unui distribuitor de servicii autorizat.
	Produsul este supus unei sarcini prea mari.	Reduceți numărul de dispozitive electrice conectate la produs.



**ATENȚIE:** Adresați-vă unui distribuitor de servicii autorizat dacă problema persistă.

## Pregătirea produsului pentru depozitarea pe termen lung

Urmați pașii care urmează dacă produsul va fi depozitat mai mult de 30 de zile. Procedura care urmează previne problemele sistemului de alimentare cu combustibil.

1. Adăugați un stabilizator în combustibil. Stabilizatorul de combustibil trebuie să corespundă recomandării producătorului.
2. Lăsați produsul să funcționeze timp de 10-15 minute.
3. Lăsați motorul să se răcească și goliți rezervorul de combustibil.



**ATENȚIE:** Nu depozitați combustibil pe termen lung. Aruncați benzina care nu este curată.

4. Porniți motorul și lăsați-l să funcționeze până la epuizarea totală a combustibilului și până când produsul se oprește.
5. Lăsați motorul să se răcească și înlocuiți uleiul pentru motor.

6. Scoateți pipa bujiei și adăugați ½ oz/15 ml de ulei pentru motor în cilindru.
7. Puneți o lavetă pe orificiul bujiei pentru protecție.
8. Trageți de șnurul de pornire de 5 ori pentru a lubrifia componentele motorului.
9. Montați și strângeți bujia.



**AVERTISMENT:** Nu fixați pipa bujiei.

10. Curățați produsul.
11. Amplasați produsul într-un spațiu închis care este curat și uscat.
12. Acoperiți produsul cu o husă, pentru protecție.



**AVERTISMENT:** Nu acoperiți produsul dacă este cald.



## Date tehnice

### Date tehnice

	Husqvarna G1300P	Husqvarna G1300P	Husqvarna G2500P	Husqvarna G2500P	Husqvarna G3200P
Cilindreea motorului, cc	98,5	98,5	196	196	212
Putere maximă, W <sup>21</sup>	1000	1200	2200	2800	3000
Putere nominală, W	800	1000	2000	2500	2800
Tensiune, V	230	110/220.120/240	230	110/220.120/240	230
Frecvență nominală, Hz	50	60	50	60	50
Etapă	1	1	1	1	1
Greutate netă, kg	28,0	28,0	43,0	43,0	49,0
Greutate totală, kg	29,2	29,2	45,0	45,0	51,0
Dimensiuni ambalaj, mm	500X375X435	500X375X435	500X375X435	500X375X435	625X495X495
Capacitate rezervor de ulei, l	0,45	0,45	0,6	0,6	0,6
Distanță între electrozi, mm/in.	0,76/0,030	0,76/0,030	0,76/0,030	0,76/0,030	0,76/0,030
Tip	Benzină	Benzină	Benzină	Benzină	Benzină
Nivel de putere acustică măsurat, dB (A)			95	95	96
Nivel de putere acustică garantat, dB (A)			95	95	96

	Husqvarna G3200P	Husqvarna G5500P	Husqvarna G5500P	Husqvarna G8500P	Husqvarna G8500P
Cilindreea motorului, cc	212	389	389	458	458

<sup>21</sup> Puterea maximă depinde și este limitată de factori precum capacitatea energetică a combustibilului, temperatura ambiantă, altitudinea, starea motorului etc. Puterea maximă scade cu aproximativ 3,5% la fiecare creștere în altitudine de 1.000 ft, deasupra nivelului mării; și va scădea, de asemenea, cu aproximativ 1% la fiecare 6° C (10° F) peste pragul de 16°C (60° F) al temperaturii ambiante.

	Husqvarna G3200P	Husqvarna G5500P	Husqvarna G5500P	Husqvarna G8500P	Husqvarna G8500P
Putere maximă, W <sup>22</sup>	3200	5500	6000	8000	8500
Putere nominală, W	3000	5000	5500	7500	8000
Tensiune, V	110/220.120/240	230	110/220.120/240	230	110/220.120/240
Frecvență nominală, Hz	60	50	60	50	60
Etapă	1	1	1	1	1
Greutate netă, kg	49,0	88,0	88,0	106,4	106,4
Greutate totală, kg	51,0	91,0	91,0	109,5	109,5
Dimensiuni ambalaj, mm	625X495X495	720X560X585	720X560X585	720X560X585	720X560X585
Capacitate rezervor de ulei, l	0,6	1,1	1,1	1,1	1,1
Distanță între electrozi, mm/in.	0,76/0,030	0,76/0,030	0,76/0,030	0,76/0,030	0,76/0,030
Tip	Benzină	Benzină	Benzină	Benzină	Benzină
Nivel de putere acustică măsurat, dB (A)	96				
Nivel de putere acustică garantat, dB (A)	96				

## Ghid referință pentru putere

**Nota:** Toate valorile sunt aproximative. Consultați eticheta cu date de pe aparat, pentru a afla cerințele privind puterea.

Dispozitiv	Putere de funcționare	Putere suplimentară la pomire
<b>Urgență</b>		
Frigider/congelator	700	1500
Radio	100	0
<b>Pe teren</b>		
Compresor de aer - ½ CP	1000	1000
Ferăstrău cu masă - 10"	1700	1300

<sup>22</sup> Puterea maximă depinde și este limitată de factori precum capacitatea energetică a combustibilului, temperatura ambiantă, altitudinea, starea motorului etc. Puterea maximă scade cu aproximativ 3,5% la fiecare creștere în altitudine de 1.000 ft, deasupra nivelului mării; și va scădea, de asemenea, cu aproximativ 1% la fiecare 6° C (10° F) peste pragul de 16°C (60° F) al temperaturii ambiante.

Dispozitiv	Putere de funcționare	Putere suplimentară la pornire
Mașină de șlefuit cu curea - 3"	1200	1200
Burghiu de mână - ½"	600	600
Lumină de lucru cu halogen	1000	0
Gater	900	900
<b>Dispozitive pentru recreere</b>		
Radio AM/FM	100	0
Grătar electric	1700	0
Pompă de umflare 50	100	-
Player CD/DVD	100	0
Ventilator - 20"	200	200
Cafetieră	600	0
<b>Uz casnic</b>		
Computer cu monitor	800	0
Uscător electric pentru haine	5500	500
Aparate electrice	2100	0
Boiler de apă electric	2000	0
Bec - 100 W	100	0
Cuptor cu microunde - 1000 W	1000	200
Pompă - ½ CP	1000	1100
Televizor	400	0
Mașină de spălat	1100	1100
Pompă submersibilă - ½ CP	1000	1000
<b>Gazon și grădină</b>		
Trimmer de gard viu	400	400
Sistem de spălare sub presiune	1200	1200
Mașină de tuns iarbă	1200	1200
Dispozitiv pentru bordurare	1000	1000
<b>Încălzire și răcire</b>		
Sistem de aer condiționat central - 10000 BTU	1500	1500
Ventilator de furnal - ½ HP	900	1400
Sistem pentru încălzirea incintelor	1800	0
Aparat de aer condiționat cu unitate exterioară - 10000 BTU	1200	600

---

# Declarație de conformitate CE

---

## Declarație de conformitate CE

Pentru următoarele echipamente:

- Nume produs: Generator portabil
- Funcție: Grup generator cu putere redusă
- Nr. model: G 2500P, G 3200P
- Nr. serie: 1945013770, 1945013793 și ulterioare

**se confirmă prin prezenta că respectă prevederile relevante ale**

- Directivei pentru echipamente (2006/42/CE)
- Directivei pentru tensiune joasă (2014/35/UE)
- Directivei pentru restricția substanțelor periculoase (RoHS) (2011/65/UE)
- Directivei pentru compatibilitate electromagnetică (2014/30/UE)
- Directivei privind zgomotul emis de echipamente utilizate în spații deschise (2000/14/CE + 2005/88/CE)

**și ale următorului standard armonizat:**

- EN ISO 8528-13:2016, EN 61000-6-1:2007; EN 55012:2007+A1

**Procedura de evaluare a conformității: 2000/14/CE, modificată prin 2005/88/CE- Anexa VI**

TÜV Rheinland LGA Products GmbH, Organismul notificat privind echipamentele (notificat conform 0197), Tillystraße 2 - 90431 Nürnberg, Germania, a efectuat certificarea pentru zgomote. Pentru informații despre emisiile de zgomot, consultați *Date tehnice la pagina 201*.

Huskvarna, 10.06.2020



Claes Losdal, Director de Dezvoltare/Produse pentru grădină (reprezentant autorizat al Husqvarna AB și responsabil cu documentația tehnică).

## Obsah

Úvod.....	205	Údržba.....	214
Bezpečnosť.....	208	Riešenie problémov.....	216
Montáž.....	211	Príprava generátora na dlhodobé skladovanie.....	218
Inštalácia.....	212	Technické údaje.....	218
Prevádzka.....	212	ES vyhlásenie o zhode.....	222

## Úvod

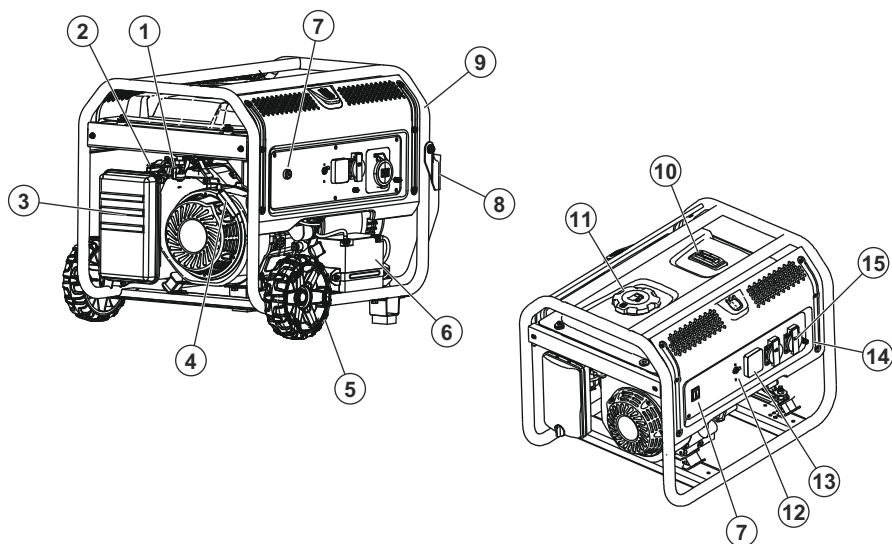
### Popis výrobku

Tento výrobok je prenosný generátor so spaľovacím motorom.

### Plánované použitie

Výrobok poskytuje elektrickú energiu na prevádzku elektrických zariadení na miestach, kde inak nie je dostupná. Výrobok nepoužívajte na iné účely.

### Prehľad výrobku



1. Palivový uzáver
2. Sýtič
3. Vzduchový filter
4. Držadlo štartovacieho lanka
5. Koleso
6. Akumulátor
7. Vypínač
8. Rukoväť
9. Rám
10. Palivová mierka
11. Uzáver palivovej nádrže
12. Ističe stried. prúdu
13. Merač transformátora s premenlivou frekvenciou
14. Uzemňovacia svorka
15. Zásuvka SP

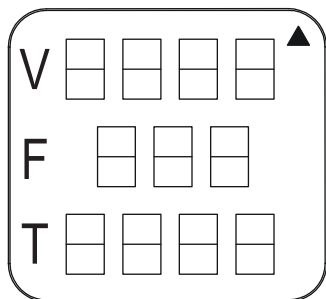
## 12 V koncovka JP

12 V koncovka JP je zdroj napájania pre 12 V jednotky JP.



## Merač transformátora s premenlivou frekvenciou

Merač zobrazuje napätie, frekvenciu a celkový prevádzkový čas výrobu.



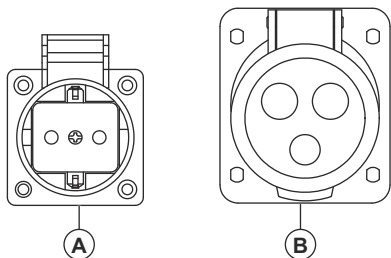
## Zásuvky SP

Výrobok má viacero zásuviek SP na napájanie nástrojov a vybavenia. Zásuvky SP sa odlišujú podľa krajiny predaja.

EÚ, 1-fázová, 50 Hz

A: 2-pólová, 230 V zásuvka.

B: 3-pólová, 32 A 230 V zásuvka.

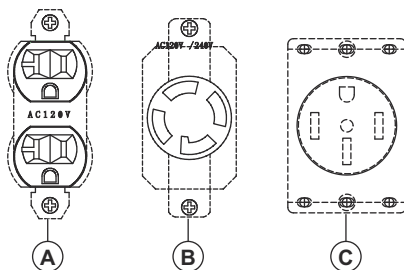


US, 1-fázová, 60 Hz

A: 3-pólová, 120 V dvojzásuvka.

B: 4-pólová, 30 A 120/240 V zásuvka s otočným zámkom.

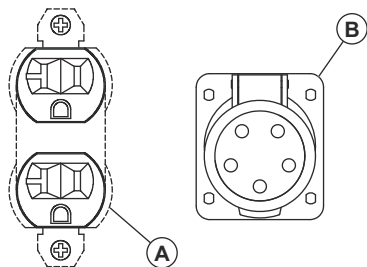
C: 4-pólová, 50 A 120/240 V zásuvka.



US, 3-fázová, 60 Hz

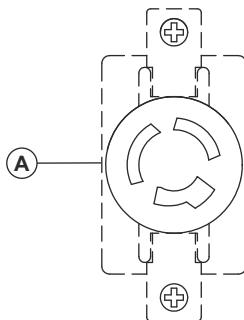
A: 3-pólová, 110 V dvojzásuvka.

B: 5-pólová, 3-fázová 127/220 V zásuvka.



Čína, 1-fázová, 50 Hz

A: 3-pólová, 230 V zásuvka s otočným zámkom.



## Symbyly na výrobku



**UPOZORNENIE!** Postupujte opatrne a používajte výrobok správnym spôsobom. Tento výrobok môže spôsobiť vážne poranenie alebo usmrtenie obsluhujúceho pracovníka alebo iných osôb.



Skôr než začnete výrobok používať, pozorne si prečítajte návod na obsluhu, aby ste porozumeli pokynom.



Hrozí nebezpečenstvo požiaru alebo výbuchu.



Hrozí nebezpečenstvo otravy oxidom uhoľnatým. Výrobok nepoužívajte na miestach so zlým prúdením vzduchu.



Nebezpečenstvo zásahu elektrickým prúdom.



Nebezpečenstvo vzniku popálenín.



Doplňte olej.



Pridajte palivo.



Otvorte palivový uzáver.



Prepnite vypínač do polohy ON (Zapnúť).



Prepnite sýtič do vypnutej polohy.



Prepnite sýtič do zapnutej polohy.



Potiahnite držadlo štartovacieho lanka.



Pripojte elektrické zát'aže.



Odpojte elektrické zát'aže.



Zatvorte palivový ventil.



Emisie hluku do okolia podľa európskej smernice 2000/14/EÚ a legislatívy v štáte New South Wales „Protection of the Environment Operations (Noise Control) Regulation 2017“ (Nariadenie o ochrane životného prostredia pri prevádzke (kontrola hluku) z roku 2017). Údaje o emisii hluku možno nájsť na štítku stroja a v kapitole s technickými údajmi.



Generátor nepoužívajte vo vnútri.



Generátor používajte vonku. Generátor umiestnite mimo priestoru okien, dverí alebo vetrania.





Prepnite sýtič do zapnutej polohy a počkajte 50 sekúnd.



Prepnite sýtič do vypnutej polohy a počkajte 50 sekúnd.



Počkajte 30 sekúnd a prepnite vypínač do polohy OFF (vypnúť).

	Prod. year 0000
Product	<input type="text"/>
Serial No.	<input type="text"/>
Article No.	<input type="text"/>
Model	<input type="text"/>
Weight	<input type="text"/>
Rated current	<input type="text"/>
Max Power	<input type="text"/>
COP Power	<input type="text"/>
Voltage	<input type="text"/>
Rated Frequency	<input type="text"/>
Power factor	<input type="text"/>
Performance class	<input type="text"/>
Quality class	<input type="text"/>
Protection class	<input type="text"/>
Husqvarna AB SE-561 82 Huskvarna Sweden	Low-power generating set 

## Bezpečnosť

### Bezpečnostné definície

Výstrahy, upozornenia a poznámky slúžia na zdôraznenie mimoriadne dôležitých častí návodu.



**VÝSTRAHA:** Používa sa, ak pre obsluhu alebo osoby v okolí existuje nebezpečenstvo poranenia alebo smrti v prípade nedodržania pokynov v návode.



**VAROVANIE:** Používa sa, ak hrozí nebezpečenstvo poškodenia produktu, iných materiálov alebo okolitej oblasti v prípade nedodržania pokynov v návode.

**Poznámka:** Používa sa na poskytnutie informácií nad rámec nevyhnutných informácií v danej situácii.

### Všeobecné bezpečnostné pokyny



**VÝSTRAHA:** Skôr než budete výrobok používať, mali by ste si prečítať a plne pochopiť nasledujúce pokyny.

- Pred použitím by ste si mali prečítať a plne pochopiť návod na obsluhu a bezpečnostné štítky na výrobky. Vaša bezpečnosť a bezpečnosť iných ľudí je vašou zodpovednosťou.
- Dodržiavajte pokyny uvedené v tomto návode na obsluhu.
- Nie je možné poskytnúť varovanie na každú situáciu, ktorá sa môže vyskytnúť počas prevádzky a údržby tohto výrobku. Vždy zachovávajte opatrnosť a riadte sa zdravým úsudkom.

### Bezpečnosť paliva



**VÝSTRAHA:** Skôr než budete výrobok používať, je dôležité, aby ste si preštudovali a porozumeli nasledujúcim upozorneniam.

- Benzín je veľmi horľavý a jeho výpary sú výbušné. Zabráňte fajčeniu, prítomnosti otvoreného ohňa, iskier alebo horúčavý na miestach, kde sa narába s benzínom.
- Nikdy nepridávajte palivo pokým je výrobok v prevádzke alebo horúci. Nechajte motor úplne vychladnúť predtým, než pridáte palivo.
- Palivovú nádrž nikdy nedopĺňajte v uzatvorenom priestore.
- Dodržujte všetky zákony určujúce skladovanie a narábanie s benzínom.
- Palivovú nádrž nepreplňajte. Vždy ponechajte priestor pre rozpínanie paliva. V prípade, že je palivová nádrž preplnená, palivo môže pretiecť na horúci motor a spôsobiť požiar alebo výbuch.
- Nikdy neuskladňujte výrobok s palivom v palivovej nádrži na miestach, kde môžu prísť benzínové výpary do styku s otvoreným ohňom, iskrou alebo zapaľovacími horákmi (aké sa nachádzajú napr. na peciach, bojleroch alebo sušičke na bielizeň). Následkom by mohol byť požiar alebo výbuch. Výrobok nechajte pred uskladnením úplne vychladnúť.
- Rozliaty olej alebo palivo bezodkladne utrite. Uistite sa, že žiadny horľavý materiál sa nenachádza na alebo v blízkosti generátora. Udržujte okolie generátora čisté a zbavené nečistôt. Ponechajte aspoň 1,5 m voľného priestoru po všetkých stranách generátora, aby bolo zabezpečené jeho dostatočné odvetranie.



- Nepoužívajte generátor v prípade, že sa pripojené elektrické zariadenie prehrieva, ak sa prestane generovať elektrický prúd alebo ak sa objavia plamene alebo dym pri prevádzke generátora.
- Majte vždy poruke hasiaci prístroj.
- Vyhňte sa vyliatiu paliva na horúci motor.
- Nefajčite ani nezapaľujte tabakové výrobky v blízkosti generátora alebo paliva.
- Vypúšťajte palivo do schválenej nádže vonku, mimo otvoreného ohňa, a potom, ako ste sa uistili, že motor vychladol.

## Bezpečnosť a ochrana pred výfukovými plynmi



**VÝSTRAHA:** Skôr než budete výrobok používať, je dôležité, aby ste si preštudovali a porozumeli nasledujúcim upozorneniam.

- Nikdy nepoužívajte výrobok v uzatvorených priestoroch alebo vo vnútri! Nikdy nepoužívajte výrobok v dome, vo vozidle, alebo v čiastočne uzatvorených priestoroch, akými sú garáže, a to aj v prípade, že sú otvorené okná a dvere! Používajte výrobok len vonku a ďaleko od otvorených okien, dverí, vetrania, a na miestach, kde nedochádza ku akumulácii smrtelných výfukových plynov.
- Výfukové plyny z motora obsahujú oxid uhoľnatý, ktorý je bez zápachu a okom neviditeľný. V závislosti od koncentrácie môže vdychnutie oxidu uhoľnatého spôsobiť bezvedomie alebo dokonca smrť.
- Primeraný a neprerušovaný tok vzduchu na chladenie a odvetrávanie je nevyhnutný pre správnu prevádzku generátora. Neupravujte vetracie prvky generátora a nedovoľte ani ich čiastočné zablokovanie, pretože to môže vážne ohroziť jeho bezpečnú prevádzku. Generátor musí byť prevádzkovaný vonku.
- Vždy používajte vo vnútorných priestoroch detektor oxidu uhoľnatého na batérie, ktorý je inštalovaný podľa návodu od výrobcu.
- Ak začnete pociťovať nevoľnosť, závrate alebo slabosť počas prevádzky výrobku, presuňte sa bezodkladne na čerstvý vzduch. Vyhládajte lekára, pretože príčinou môže byť otrava oxidom uhoľnatým.

## Elektrická bezpečnosť



**VÝSTRAHA:** Skôr než budete výrobok používať, je dôležité, aby ste si preštudovali a porozumeli nasledujúcim upozorneniam.

- Generátor produkuje nebezpečne vysoké napätie počas prevádzky. Vyhýbajte sa styku s odhalenými káblami, výstupmi, spojeniami, apod., počas prevádzky generátora a to aj na zariadeniach k nemu pripojených. Uistite sa, že všetky prináležiace kryty, mriežky a ochrany sú na svojom mieste pred používaním generátora.

- Nikdy nenarábajte s žiadnym druhom elektrickej zástrčky alebo zariadením, ak stojíte vo vode alebo naboso, alebo ak sú vaše ruky alebo nohy mokré. Hrozí nebezpečenstvo úrazu elektrickým prúdom.
- V niektorých krajinách môže byť požadované, aby boli rám aj externé elektricky vodivé časti generátora správne uzemnené. V niektorých krajinách môže byť tiež požadované uzemnenie samotného generátora. Obráťte sa na elektrikára, aby ste si overili lokálne požiadavky na uzemnenie.
- Použite prúdový chránič uzemnenia pri používaní generátora na miestach, kde sa vyskytuje vysoká vlhkosť alebo sú vysoko vodivé (napríklad kovové debnenia alebo oceľové prvky).
- Nepoužívajte opotrebované, odhalené, predraté alebo iným spôsobom poškodené súpravy elektrických káblov s generátorom.
- V prípade úrazu elektrickým prúdom je potrebné okamžite vypnúť zdroj elektrického prúdu. Ak vypnutie nie je možné, pokúste sa zasiahnutú osobu dostať od živého vedenia. Vyhňte sa priamemu kontaktu so zasiahnutou osobou. Použite nevodivú pomôcku, ako napr. lano alebo dosku, aby ste zasiahnutú osobu dostali od živého vedenia. Ak je zasiahnutá osoba v bezvedomí, poskytnite prvú pomoc a privolajte rýchlu zdravotnú pomoc.

## Bezpečnostné pokyny pre prevádzku



**VÝSTRAHA:** Skôr než budete výrobok používať, je dôležité, aby ste si preštudovali a porozumeli nasledujúcim upozorneniam.

- Používajte generátor iba na povrchoch, ktoré sú v rovine, a na miestach, kde nebude vystavený prílišnej vlhkosti, nečistotám, prachu alebo koróznym výparom.
- Nepríbližujte sa končatinami, oblečením a podobne k hnacím ramenám, vetrákom a ďalším pohyblivým častiam. Nikdy neodstraňujte ochrannú mriežku alebo kryt počas chodu zariadenia.
- Niektoré časti generátora dosiahnu počas prevádzky extrémne vysokú teplotu. Nepríbližujte sa k telu generátora pokým neochladol, aby ste zabránili vážnym popáleninám.
- Výrobok nepoužívajte v daždi.
- Neupravujte konštrukciu generátora ani nemeňte ovládacie prvky, inak hrozí, že vzniknú nebezpečné prevádzkové podmienky.
- Nikdy nezapínajte ani nevypínajte generátor, ak sú k zásuvkám pripojené elektrické zariadenia a ak sú tieto zariadenia zapnuté. Naštartujte motor a počkajte, kým dosiahne stabilný výkon, predtým než k nemu pripojíte elektrickú záťaž. Pred vypnutím generátora odpojte všetku elektrickú záťaž.
- Nevkladajte objekty cez chladiace prvky generátora a to ani v prípade, že motor nebeží.

- Počas práce s generátorom neustále dávajte pozor. Nikdy s generátorom nepracujte, ak ste fyzicky alebo psychicky vyčerpaný.
- Nikdy nepoužívajte tento výrobok ani žiadnu z jeho častí ako stupnicu. Postavením sa na generátor sa jeho časti namáhajú a môžu sa zlomiť, čo môže vyústiť do nebezpečných prevádzkových podmienok z dôvodu unikajúcich plynov, paliva, oleja a podobne.
- Uistite sa, že máte znalosti o všetkých radiacích prvkoch možnostiach spôsobovania pred jeho spustením do prevádzky.
- Výrobok nepreťažujte. Rovnako nepreťažujte jednotlivé zásuvky. Tieto zásuvky sú chránené proti preťaženiu ističmi. Ak je povolený prúd ktoréhokolvek z ističov prekročený, istič sa vypne a elektrický prúd do danej zásuvky ďalej neprúdi.
- Nikdy neštartujte ani nezastavujte motor, ak sú elektrické zariadenia zapojené v zásuvke a zariadenia zapnuté.

## Bezpečnostné zariadenia na výrobku

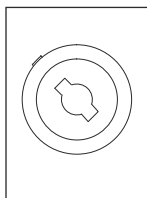
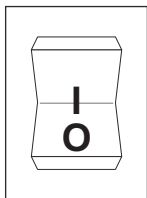


**VÝSTRAHA:** Skôr než budete produkt používať, prečítajte si nasledujúce výstrahy.

- Nepoužívajte produkt, ktorý má chybné bezpečnostné zariadenia.
- Pravidelne kontrolujte bezpečnostné zariadenia. Ak sú bezpečnostné zariadenia chybné, obráťte sa na servisného zástupcu spoločnosti Husqvarna.

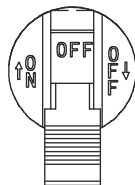
## Vypínač

Pomocou vypínača naštartujete a zastavíte motor.



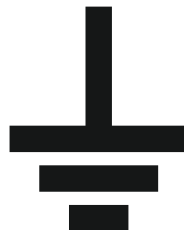
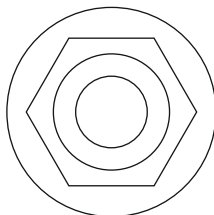
## Ističe

Ističe zabráňujú preťaženiu výrobku. Informácie o menovitých parametroch ističa nájdete vedľa ističa.



## Uzemňovacia svorka

Uzemňovacia svorka slúži na to, aby bol generátor správne uzemnený. Pred každým použitím generátora musí byť uzemňovací kábel pripojený k uzemňovacej svorke.



## Bezpečnostné pokyny pre údržbu



**VÝSTRAHA:** Skôr než začnete s údržbou generátora, je dôležité, aby ste si preštudovali a porozumeli nasledujúcim výstrahám.

- Z bezpečnostných dôvodov výrobca odporúča, aby údržbu zariadenia vykonával autorizovaný predajca. Generátor je potrebné pravidelne prezieť a kontaktovať autorizovaného predajcu kvôli častiam, ktoré potrebujú opravu alebo výmenu.
- Tento výrobok disponuje tlmičom výfuku, ktorého súčasťou je zachytávač iskier. Je nutné, aby operátor/vlastník generátor udržiaval zachytávač iskier v dobrom funkčnom stave.
- Je nevyhnutné správne udržiavať výfukový systém. Nevykonávajte nič, čo by mohlo ohroziť funkčnosť výfukového systému alebo porušovalo lokálne normy a/alebo smernice.
- Pred vykonávaním údržby generátora odpojte spúšťačiu batériu motora (ak je súčasťou zariadenia), aby sa zabránilo náhodnému spusteniu. Najprv odpojte kábel zo zápornej koncovky batérie

označenej NEG alebo (-). Tento kábel opätovne pripojte ako posledný.

- Akýkoľvek pokus o naštartovanie motora pred tým, ako je skontrolovaný a v prípade potreby doplnený odporúčaný olej v motore, môže viesť k zlyhaniu motora.
- Keď pracujete s generátorom, vždy odpojte kryt zapalovacej sviečky od zapalovacej sviečky a udržujte ho mimo zapalovacej sviečky.
- Horúci olej môže spôsobiť popáleniny. Pred odčerpaním paliva nechajte motor vychladnúť.

Vyhýbajte sa dlhšie trvajúcemu alebo opakovanému kontaktu použitého oleja s kožou. Zasiahnuté oblasti dôkladne umyte s použitím mydla.

- Záručná zmluva na generátor sa nevzťahuje na dielce, ktoré užívateľ preťažoval alebo s nimi nedbanlivo zaobchádzal. Aby sa zachovala úplná platnosť záručnej zmluvy, používateľ musí dodržiavať všetky pokyny uvedené v tomto návode na použitie.

## Montáž

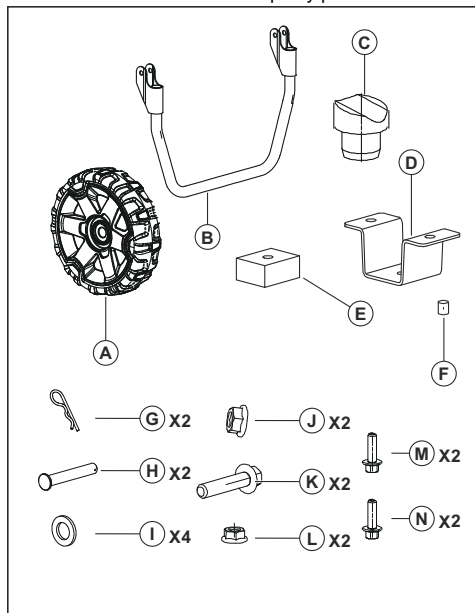
### Úvod



**VÝSTRAHA:** Pred montážou výrobku si prečítajte kapitolu o bezpečnosti a uistite sa, že rozumiete informáciám, ktoré sa v nej uvádzajú.

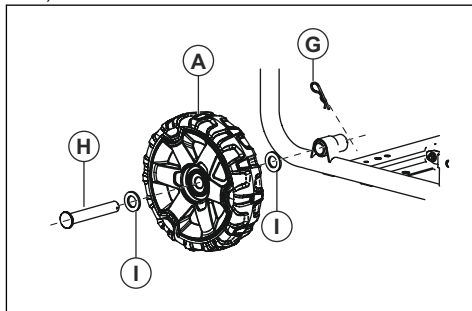
### Zostavenie súpravy príslušenstva (G5500P, G8500P)

1. Oboznámte sa s časťami súpravy príslušenstva.

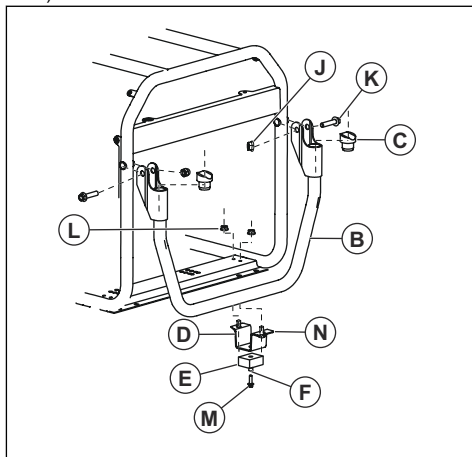


2. Zostavte súpravu príslušenstva. Pozrite si nákresy.

a) Montáž kolesa:



b) Zostava rukoväti:



## Inštalácia

### Úvod



**VÝSTRAHA:** Pred montážou zariadenia si riadne prečítajte kapitolu o bezpečnosti.

### Uzemnenie generátora



**VÝSTRAHA:** Je potrebné, aby generátor uzemnila osoba, ktorá má bohaté skúsenosti a znalosti v oblasti elektroinštalácií. Niektoré krajiny vyžadujú, aby inštaláciu uskutočnil kvalifikovaný elektrikár. Dodržiavajte miestne nariadenia.

1. Uzemňovacia tyč zabudujte najmenej 60 cm do zeme.



**VÝSTRAHA:** Uzemňovacia tyč musí mosadzná alebo medená.

2. Pripojte 2,5 mm<sup>2</sup> uzemňovací kábel z uzemňovacej svorky na ovládacom paneli ku uzemňovacej tyči.

**Poznámka:** Uzemňovací kábel a uzemňovacia tyč nie sú dodávané s generátorom.

### Pripojenie generátora k elektrickým rozvodom budovy



**VÝSTRAHA:** Je potrebné, aby generátor uzemnila osoba, ktorá má bohaté skúsenosti a znalosti v oblasti elektroinštalácií. Niektoré krajiny vyžadujú, aby inštaláciu uskutočnil kvalifikovaný elektrikár. Dodržiavajte miestne nariadenia.

- Použite manuálny prepáčaj z pripojenie generátora k elektrickým rozvodom.
- Uistite sa, že spôsob pripojenia je v súlade so všetkými aplikovateľnými predpismi.

## Prevádzka

### Úvod



**VÝSTRAHA:** Pred používaním výrobku si prečítajte kapitolu o bezpečnosti a uistite sa, že rozumiete informáciám, ktoré sa v nej uvádzajú.

### Doplňovanie paliva

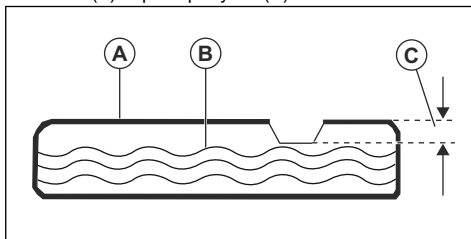
Používajte bezolovnatý benzín. Nepoužívajte benzín s vyššou než 10 % koncentráciou etanolu a nepoužívajte benzín E85.



**VAROVANIE:** Nemiešajte benzín s olejom.

1. Zastavte motor a generátor nechajte vychladnúť. Pozrite si časť *Zastavenie výrobku na strane 213*.
2. Uistite sa, že generátor je umiestnený na rovnom podklade a na mieste s dobrým prúdením vzduchu.
3. Zložte uzáver palivovej nádrže.

4. Opatrne doplňte palivo do palivovej nádrže (A). Palivo (B) doplňte po rysku (C).



5. Očistite generátor od rozliateho paliva.

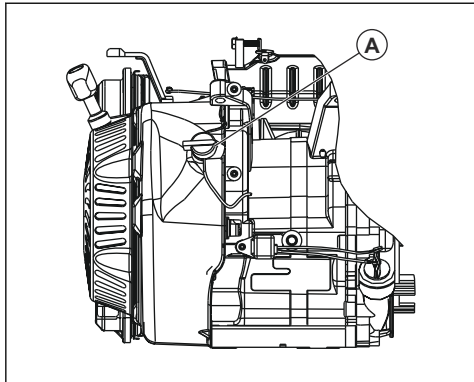


**VAROVANIE:** Rozliate palivo predstavuje riziko požiaru a môže poškodiť životné prostredie.

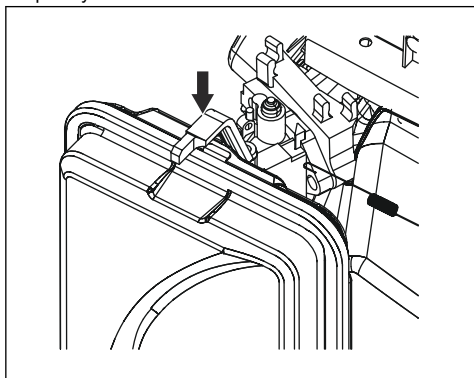
### Zapnutie výrobku

1. Odpojte všetku elektrickú záťaž zo zásuviek na ovládacom paneli.
2. Uistite sa, že je generátor umiestnený na rovnom povrchu.
3. Otvorte palivový uzáver.

4. Prepnete vypínač do polohy ON (Zapnúť).



5. Prepnete sýtič do vypnutej polohy.
6. Pomaly potiahnite držadlo štartovacieho lanka, až kým nepocítite odpor.
7. Rýchlo a silno ťahajte rukoväť štartovacieho lanka, kým sa nenaštartuje motor.
8. Pre elektrický štart, vykonajte nasledovné kroky.
- a) Stlačte a podržte kľúč ON/OFF/START v začiatkovej polohe.
  - b) Keď sa motor spustí, posuňte kľúč ON/OFF/START do zapnutej polohy.
9. Prepnete sýtič do polohy sýtiča ½.
10. Keď motor beží plynule, prepnete sýtič do zapnutej polohy.



**Poznámka:** Pre G1300P, zapnutá a vypnutá poloha sýtiča majú vymenenú polohu.

## Pripojenie elektrickej záťaže



**VÝSTRAHA:** Nepripájajte 240 (230) V do 120 (110) V zásuviek. Nepripájajte 3-fázovú elektrickú záťaž do 1-fázového generátora. Nepripájajte 50 Hz elektrickú záťaž do 60 Hz generátora.

1. Naštartujte motor a nechajte ho zohriať niekoľko minút. Pozrite si časť *Zapnutie výrobku na strane 212*.
2. Pripojte a zapnite elektrickú záťaž.
3. Uistite sa, že žiadne pripojenie nie je preťažené. Pozrite si časť *Zabránenie preťaženiu generátora na strane 213*.

## Zabránenie preťaženiu generátora.

Preťaženie generátora môže spôsobiť poškodenie generátora a pripojených elektrických zariadení. Dodržujte nasledujúce kroky, aby ste zabránili preťaženiu generátora.

- Sčítajte celkový menovitý výkon (W) všetkých elektrických zariadení, ktoré budú pripojené súčasne.



**VAROVANIE:** Celkový menovitý výkon (W) nesmie byť vyšší ako menovitá kapacita (W) generátora.

- Ako menovitý výkon svetiel sa dá použiť ich výkon uvedený na žiarovke/žiarivke. Menovitý výkon náradia, vybavenia a motorov býva uvedený na nálepke daného zariadenia.
- Ak na výrobku, kuse náradia alebo vybavení nie je uvedený jeho výkon, vynásobte menovitý prúd (A) napätím (V).
- Vždy pripájajte elektrické zariadenia s najvyšším štartovacím výkonom ku generátoru ako prvé. Potom pripočítajte výkon všetkých ostatných pripojených elektrických zariadení.

## Zastavenie výrobku

1. Zastavte a odpojte elektrické zariadenia zo zásuviek ovládacieho panela.



**VÝSTRAHA:** Nezastavujte motor, ak sú elektrické zariadenia zapnuté a pripojené ku generátoru.

2. Nechajte motor spustený bez záťaže po dobu 30 sekúnd.
3. Prepnete vypínač do polohy OFF (Vypnúť).
4. Zatvorte palivový ventil.

# Údržba

## Úvod



**VÝSTRAHA:** Pred údržbou výrobku si prečítajte kapitolu o bezpečnosti a uistite sa, že rozumiete informáciám, ktoré sú v nej uvedené.

## Plán údržby

\* Čistite pravidelnejšie, ak je generátor používaný v prašných podmienkach.

\*\* Údržbu smie vykonávať len autorizovaný servisný predajca.

Údržba	Denná údržba pred prevádzkou	Interval údržby v hodinách				
		Každých 20 hodín alebo každý mesiac	Každých 50 hodín alebo každé 3 mesiace	Každých 100 hodín alebo každé 6 mesiace	Každých 300 hodín alebo raz ročne	Raz za dva roky
Vyčistite výrobok.	X					
Skontrolujte hladinu motorového oleja.	X					
Skontrolujte vzduchový filter.	X					
Vyčistite vzduchový filter.	X					
Skontrolujte sedimentačný uzáver.	X					
Vymeňte motorový olej.		X*				
Vyčistite vzduchový filter alebo ho vymeňte.			X*			
Skontrolujte a vyčistite zapáľovaciu sviečku.				X		
Skontrolujte rýchlosť motora pri voľnobežných otáčkach. V prípade potreby voľnobežné otáčky nastavte.					X**	
Skontrolujte vôľu ventilov. V prípade potreby nastavte vôľu ventilov.					X**	
Vyčistite palivovú nádrž, čistič paliva a karburátor.					X**	
Vyčistite spaľovaciu komoru.					X**	
V prípade potreby vymeňte palivové potrubie.						X**

## Čistenie výrobku



**VAROVANIE:** Výrobok neumývajte vodou. Voda môže spôsobiť poškodenie generátora.

- Použite vlhkú handru na vyčistenie vonkajších plôch generátora.
- Použite jemnú kefu na odstránenie nečistôt a oleja.
- Použite vysávač na odstránenie nečistôt alebo nechceného materiálu z generátora.

- Použite stlačený vzduch na odstránenie nečistôt z prvkov vetrania a ďalších otvorov na generátore.



**VAROVANIE:** Tlak stlačeného vzduchu nesmie presiahnuť 25 psi.

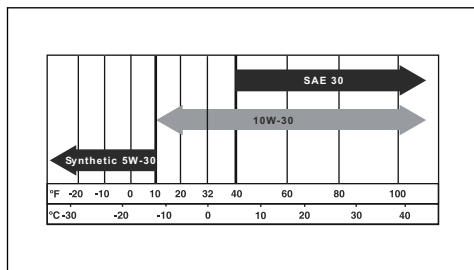
## Kontrola hladiny motorového oleja



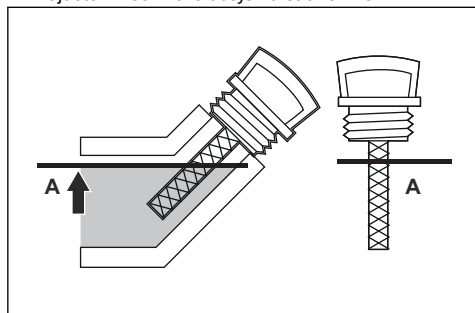
**VAROVANIE:** Nepoužívajte generátor, ak je hladina motorového oleja nízka. Môže to spôsobiť poškodenie motora.



**VAROVANIE:** Používajte motorový olej triedy SJ, SL alebo vyššej podľa API. Nepoužívajte špeciálne aditíva. Zvoľte viskozitu, ktorá zodpovedá okolitej teplote. Pozrite si nižšie uvedený náčrt.



1. Kompletne vypnite generátor a uistite sa, že sa nachádza na podložke, ktorá je v rovine.
2. Vyčistite priestor okolo nádrže na olej.
3. Odstráňte uzáver nádrže na olej a olejovú mierku.
4. Očistite olej z olejovej mierky.
5. Ponornú mierku zasuňte celú späť do nádrže na olej.
6. Vytiahnite ponornú mierku.
7. Skontrolujte hladinu oleja v motore na ponornej mierke.
8. Ak je hladina motorového oleja príliš nízka, dopĺňajte olej do motora kým nedosiahne rysku (A) na ponornej mierke. Informácie o objeme nádrže na olej nájdete v *Technické údaje na strane 218*.



9. Opätovne skontrolujte hladinu motorového oleja.
10. Nasadíte uzáver nádrže na olej a ponornú mierku.

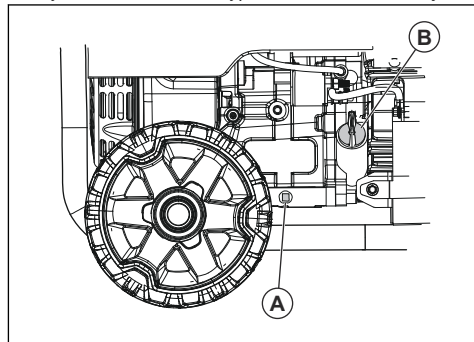
## Výmena motorového oleja

**Poznámka:** Motorový olej vypustíte, kým je motor teplý. Teplý motorový olej sa vypúšťa rýchlejšie.



**VÝSTRAHA:** Motorový olej sa veľmi zahreje, čo môže mať za následok popáleniny. Nechajte motor vychladnúť pred vypustením oleja.

1. Vyčistite oblasť okolo vypúšťacieho uzáveru oleja.



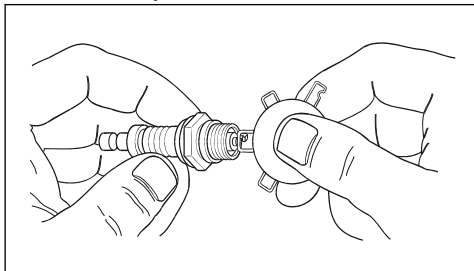
2. Umiestnite pod vypúšťací otvor vhodnú palivovú nádobu.
3. Odstráňte vypúšťací uzáver oleja a uzáver nádrže na olej (B).
4. Motorový olej vypustíte do nádoby.
5. Nainštalujte vypúšťací uzáver oleja a utiahnite ho.
6. Doplníte motorový olej. Pozrite si časť *Kontrola hladiny motorového oleja na strane 215*.
7. Odstráňte rozliaty olej.
8. Recyklujte použitý motorový olej v schválenom zariadení na likvidáciu.

## Výmena zapalovacej sviečky

Zapalovaciu sviečku vymeňte jedenkrát ročne.

1. Zastavte motor.
2. Odmontujte kryt zapalovacej sviečky od sviečky.
3. Očistite priestor okolo zapalovacej sviečky a vytiahnite zapalovaciu sviečku z valca.

4. Nastavte medzeru medzi elektródami. Pozrite si časť *Technické údaje na strane 218.*



5. Namontujte novú zapaľovaciu sviečku. Dotiahnite momentom 20 Nm.

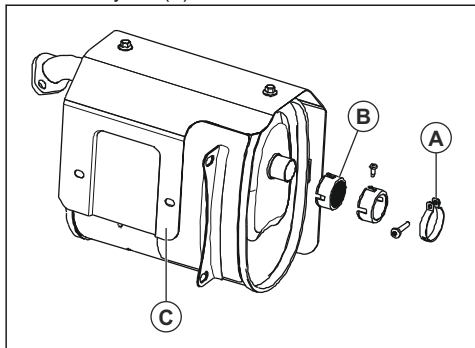
### Kontrola sitka lapača iskier

Skontrolujte a vyčistite sitko lapača iskier raz ročne alebo častejšie, ak je to potrebné.



**VÝSTRAHA:** V niektorých krajinách a za určitých podmienok je nutné používať sitko lapača iskier, aby sa zamedzilo nebezpečenstvu požiaru. Dodržiavajte miestne nariadenia.

1. Odstráňte svorku (A) a sitko lapača iskier (B) z tlmíča výfuku (C).



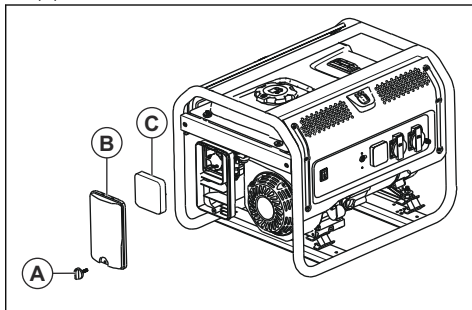
2. Sitko lapača iskier očistite pomocou komerčného rozpúšťadla.
3. Skontrolujte sitko lapača iskier kvôli znakom opotrebenia a poškodenia. V prípade potreby sitko lapača iskier vymeňte.



**VAROVANIE:** Nepoužívajte generátor, ak je sitko lapača iskier poškodené.

### Kontrola vzduchového filtra

1. Vyberte otočný gombík (A) a kryt vzduchového filtra (B).



2. Vyberte vzduchový filter (C).
3. Vzduchový filter a kryt vzduchového filtra vyčistíte použitím mydlovej vody.
4. Nechajte vzduchový filter a kryt vzduchového filtra vyschnúť.
5. Namontujte vzduchový filter, kryt vzduchového filtra a otočný gombík.

## Riešenie problémov

### Plán riešenia problémov

Problém	Príčina	Riešenie
Motor sa zastaví, ak je preťažený.	Vzduchový filter je znečistený.	Vyčistíte vzduchový filter alebo ho vymeňte.
	Motor nie je zahriaty.	Nechajte motor zahriať pred používaním.



Problém	Príčina	Riešenie
Zlyhá zapalovanie.	Zapaľovacia sviečka je uvoľnená.	Skontrolujte pripojenia káblov.
	Nesprávna medzera medzi elektródami.	Vymeňte kryt zapaľovacej sviečky.
	Kryt zapaľovacej sviečky je poškodený.	Vymeňte kryt zapaľovacej sviečky.
	Palivo je po dobe spotreby alebo nízkej kvality.	Doplňte palivo.
	Nesprávny tlak.	Upravte tlak.
Motor sa náhle zastaví.	Hladina motorového oleja je príliš nízka.	Doplňte motorový olej.
	Palivová nádrž je prázdna alebo je v nej benzín nízkej kvality.	Doplňte palivo.
	Chybný uzáver palivovej nádrže.	Vymeňte uzáver palivovej nádrže.
	Chybný magnet.	Obráťte sa na autorizovaného servisného predajcu.
	Kryt sviečky nie je správne namontovaný.	Namontujte kryt zapaľovacej sviečky.
Objavuje sa tzv. klepanie motora.	Palivo je po dobe spotreby alebo nízkej kvality.	Doplňte palivo.
	Preťaženie motora.	Pozrite si časť <i>Zabránenie preťaženiu generátora. na strane 213.</i>
	Mechanické problémy.	Obráťte sa na autorizovaného servisného predajcu.
Vyskytuje sa spätné šľahanie v motore, motor „striela“.	Benzíne je nízkej kvality.	Doplňte palivo.
	Motor je príliš chladný.	Použite palivo vhodné pri nízkych teplotách a prísady do oleja.
	Ventil na vstupe je zablokovaný alebo sa motor príliš prehrieva.	Obráťte sa na autorizovaného servisného predajcu.
	Nesprávne časovanie zapalovania.	Skontrolujte časovanie zapalovania.
Generátor nemá žiadny výkon.	Výrobok nie je pripojený k zdroju elektrickej energie.	Vypnite generátor a odpojte ho. Pripojte generátor a znova ho naštartujte.
	Vypol sa istič.	Vypnite generátor a odpojte ho. Znovu nahodte istič. Pripojte generátor a znova ho naštartujte.
	Nefunguje zásuvka.	Vypnite generátor a odpojte ho. Otestujte zásuvku. Ak nie je zásuvka poškodená, naštartujte a znova pripojte generátor.
	Vyžaduje sa servis.	Obráťte sa na autorizovaného servisného predajcu.

Problém	Príčina	Riešenie
Generátor nefunguje správne.	Problém s elektrickým zariadením.	Odpojte elektrické zariadenie. Obráťte sa na autorizovaného servisného predajcu.
	Generátor je preťažený.	Znížte počet elektrických zariadení, ktoré sú pripojené ku generátoru.



**VAROVANIE:** Ak problém pretrváva, obráťte sa na autorizovaného servisného predajcu.

## Príprava generátora na dlhodobé skladovanie

Vykonajte nasledujúce kroky, ak bude generátor skladovaný dlhšie ako 30 dní. Nasledujúci postup slúži na zabránenie problémom s palivovým systémom.

1. Pridajte stabilizátor paliva do paliva. Je potrebné, aby stabilizátor paliva spĺňal odporúčania výrobcu.
2. Uvedte generátor do prevádzky na dobu 10 až 15 minút.
3. Nechajte motor vychladnúť a vyprázdnite palivovú nádrž.



**VAROVANIE:** Pri dlhodobom uskladnení neponechávajte palivo v palivovej nádrži. Benzín, ktorý je znečistený, odstráňte podľa pravidiel nakladania s týmto odpadom.

4. Naštartujte motor a nechajte ho bežať pokým nebolo všetko palivo spotrebované a generátor sa nezastaví.
5. Nechajte motor vychladnúť a vymeňte motorový olej.

6. Odmontujte kryt zapaľovacej sviečky a do valca nalejte približne 15 ml motorového oleja.
7. Prekryte otvor od zapaľovacej sviečky tkaninou kvôli ochrane.
8. Potiahnite držadlo štartovacieho lanka 5-krát, aby sa namazali časti motora.
9. Namontujte a utiahnite zapaľovaciu sviečku.



**VÝSTRAHA:** Nemontujte kryt sviečky.

10. Vyčistite výrobok.
11. Umiestnite generátor na čisté a suché miesto vo vnútri.
12. Generátor zakryte plachtou kvôli jeho ochrane.



**VÝSTRAHA:** Nezakrývajte generátor plachtou, ak je zohriaty.

## Technické údaje

### Technické údaje

	Husqvarna G1300P	Husqvarna G1300P	Husqvarna G2500P	Husqvarna G2500P	Husqvarna G3200P
Objem valcov, cm <sup>3</sup>	98,5	98,5	196	196	212
Špičkový výkon, W <sup>23</sup>	1000	1200	2200	2800	3000
Menovitý výkon, W	800	1000	2 000	2500	2800

<sup>23</sup> Maximálny výkon podlieha a je limitovaný faktormi akými sú energetický obsah paliva, teplota okolitého prostredia, nadmorská výška, stav motora, apod. Maximálny výkon klesá o približne 3,5 % každých 305 výškových metrov; a tiež klesá o približne 1 % každých 6° C (10° F) nad teplotou 16° C (60° F) okolitého prostredia.

	Husqvarna G1300P	Husqvarna G1300P	Husqvarna G2500P	Husqvarna G2500P	Husqvarna G3200P
Napätie, V	230	110/220,120/240	230	110/220,120/240	230
Menovitá frekvencia, Hz	50	60	50	60	50
Fáza	1	1	1	1	1
Čistá hmotnosť, kg	28,0	28,0	43,0	43,0	49,0
Celková hmotnosť, kg	29,2	29,2	45,0	45,0	51,0
Veľkosť balenia, mm	500X375X435	500X375X435	500X375X435	500X375X435	625X495X495
Objem nádrže na olej, l	0,45	0,45	0,6	0,6	0,6
Medzera medzi elektródami, mm/palce	0,76/0,030	0,76/0,030	0,76/0,030	0,76/0,030	0,76/0,030
Typ	Benzín	Benzín	Benzín	Benzín	Benzín
Nameraná hladina akustického výkonu, dB (A)			95	95	96
Zaručená hladina akustického výkonu, dB (A)			95	95	96

	Husqvarna G3200P	Husqvarna G5500P	Husqvarna G5500P	Husqvarna G8500P	Husqvarna G8500P
Objem valcov, cm <sup>3</sup>	212	389	389	458	458
Špičkový výkon, W <sup>24</sup>	3200	5500	6000	8000	8500
Menovitý výkon, W	3000	5000	5500	7500	8000
Napätie, V	110/220,120/240	230	110/220,120/240	230	110/220,120/240
Menovitá frekvencia, Hz	60	50	60	50	60
Fáza	1	1	1	1	1
Čistá hmotnosť, kg	49,0	88,0	88,0	106,4	106,4

<sup>24</sup> Maximálny výkon podlieha a je limitovaný faktormi akými sú energetický obsah paliva, teplota okolitého prostredia, nadmorská výška, stav motora, apod. Maximálny výkon klesá o približne 3,5 % každých 305 výškových metrov; a tiež klesá o približne 1 % každých 6° C (10° F) nad teplotou 16° C (60° F) okolitého prostredia.

	Husqvarna G3200P	Husqvarna G5500P	Husqvarna G5500P	Husqvarna G8500P	Husqvarna G8500P
Celková hmotnosť, kg	51,0	91,0	91,0	109,5	109,5
Veľkosť balenia, mm	625X495X495	720X560X585	720X560X585	720X560X585	720X560X585
Objem nádrže na olej, l	0,6	1,1	1,1	1,1	1,1
Medzera medzi elektródami, mm/palce	0,76/0,030	0,76/0,030	0,76/0,030	0,76/0,030	0,76/0,030
Typ	Benzín	Benzín	Benzín	Benzín	Benzín
Nameraná hladina akustického výkonu, dB (A)	96				
Zaručená hladina akustického výkonu, dB (A)	96				

## Referenčná príručka výkonov elektrických zariadení

**Poznámka:** Všetky hodnoty sú približné. Pozrite sa na údaje na štítku zariadenia, aby ste vedeli skutočné požiadavky na výkon.

Zariadenie	Prevádzkové W	Dodatčné štartovacie W
<b>Núdzové</b>		
Chladnička/mraznička	700	1500
Rádio	100	0
<b>Pracovisko</b>		
Vzduchový kompresor – 1/2 hp (konškej sily)	1 000	1 000
Stolová píla – 10" / 25.4 cm kotúč	1700	1300
Pasová brúska – 3" / 7,62 cm	1200	1 200
Ručná vrtačka – ½" / 1,27 cm	600	600
Halogénové pracovné svetlo	1 000	0
Priamočiara píla	900	900
<b>Rekreačné</b>		
AM/FM rádio	100	0
Elektrický gril	1700	0
Nafukovacia pumpa 50	100	–

Zariadenie	Prevádzkové W	Dodatočné štartovacie W
CD/DVD prehrávač	100	0
Skriňový ventilátor – 20" / 50,8 cm	200	200
Kávovar	600	0
<b>Domácnosť</b>		
Osobný počítač s monitorom	800	0
Elektrický sušič oblečenia	5500	500
Elektrická varná doska	2100	0
Elektrický bojler	2000	0
Žiarovka/žiarivka 100 W	100	0
Mikrovlnná rúra – 1 000 W	1 000	200
Kalové čerpadlo – ½ hp (konskej sily)	1 000	1100
Televízor	400	0
Práčka	1100	1100
Studňové čerpadlo – ½ hp (konskej sily)	1 000	1 000
<b>Trávnik a záhrada</b>		
Krovinorez	400	400
Tlakový čistič	1200	1 200
Kosačka na trávu	1200	1 200
Vyžínač okrajov	1 000	1 000
<b>Kúrenie a klimatizácia</b>		
Centrálna klimatizačná jednotka – 10 550 kJ (10 000 BTU)	1500	1500
Ventilátor k peci alebo krbu – ½ hp (konskej sily)	900	1400
Radiátor	1800	0
Okenná klimatizačná jednotka – 10 550 kJ (10 000 BTU)	1200	600

---

# ES vyhlásenie o zhode

---

## ES vyhlásenie o zhode

Pre nasledujúce strojové vybavenie:

- Názov výrobku: Prenosný generátor
- Funkcia: Výroba elektrickej energie
- Číslo modelu: G 2500P, G 3200P
- Výrobné č.: 1945013770, 1945013793 a vyššie

### **týmto potvrdzuje, že spĺňa všetky príslušné ustanovenia**

- smernice o strojových zariadeniach (2006/42/ES)
- smernice týkajúcej sa elektromagnetickej kompatibility (2014/35/EÚ)
- smernice o obmedzení používania nebezpečných látok (2011/65/EÚ)
- smernice týkajúcej sa elektromagnetickej kompatibility (2014/30/EÚ)
- smernice o emisiách hluku zariadení na použitie vo voľnom priestranstve (2000/14/ES + 2005/88/ES)

### **a bola splnená nasledujúca harmonizovaná norma:**

- EN ISO 8528-13:2016, EN 61000-6-1:2007; EN 55012:2007+A1

### **Posudzovanie zhody: 2000/14/ES, doplnené dokumentom 2005/88/ES – Príloha VI**

TÜV Rheinland LGA Products GmbH, upovedomený orgán za strojárstvo (upovedomený pod 0197), Tillystraße 2 - 90431 Nürnberg, Nemecko, vykonal certifikáciu na hlukovú spôsobilosť. Informácie o emisiách hluku nájdete v časti *Technické údaje na strane 218*.

Husqvarna, 10. 6. 2020



Claes Losdal, manažér vývoja/záhradné produkty  
(autorizovaný zástupca spoločnosti Husqvarna AB  
a osoba zodpovedná za technickú dokumentáciu).

## İçindekiler

Giriş.....	223	Bakım.....	231
Güvenlik.....	226	Sorun giderme.....	234
Montaj.....	229	Ürünü uzun süreli saklama için hazırlama.....	235
Kurulum.....	229	Teknik veriler.....	236
Çalışma.....	230	AT Uyumluluk Bildirimi.....	239

## Giriş

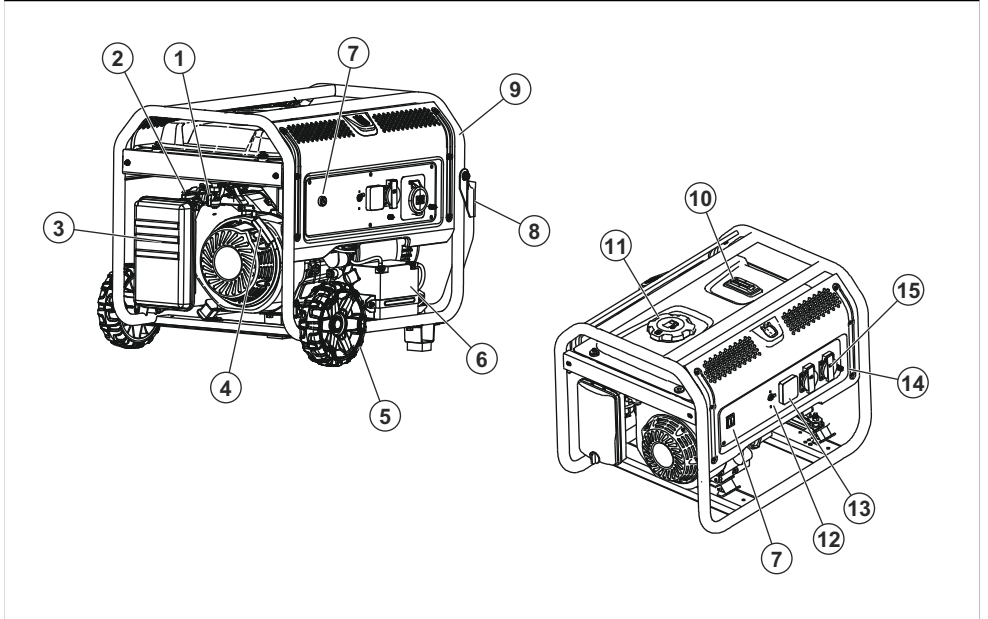
### Ürün açıklaması

Bu ürün, yanmalı motora sahip bir taşınabilir jeneratördür.

### Kullanım amacı

Ürün, elektrik gücü bulunmayan yerlerde elektrikli cihazları çalıştırmak için elektrik gücü sağlar. Ürünü başka işler için kullanmayın.

### Ürüne genel bakış



1. Yakıt valfi
2. Jikle
3. Hava filtresi
4. Çalıştırma ipi kolu
5. Tekerlek
6. Akü
7. Güç anahtarı
8. Tutma yeri
9. Şasi
10. Yakıt göstergesi
11. Yakıt tankı kapağı
12. AC devre kesiciler
13. Dijital ölçer
14. Topraklama terminali
15. AC priz

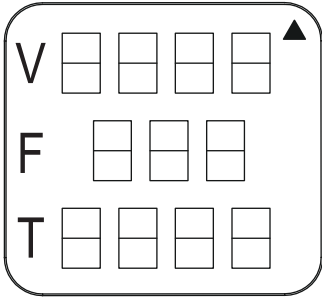
## 12 V DC terminali

12 V DC terminali, 12 V DC üniteler için bir güç kaynağıdır.



## Dijital ölçer

Dijital ölçer ürünün gerilimini, frekansını ve toplam çalışma süresini gösterir.



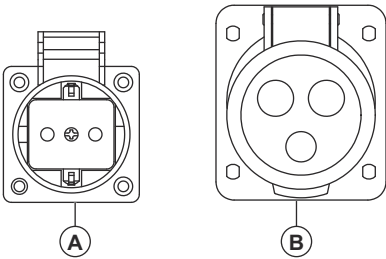
## AC prizler

Üründe, aletlere ve ekipmana güç vermek için çeşitli AC prizler bulunur. AC prizler pazar alanlarına göre farklılık gösterir.

AB, 1 fazlı, 50 Hz

A: 2 Uçlu, 230 V priz.

B: 3 Uçlu, 32 A, 230 V priz.

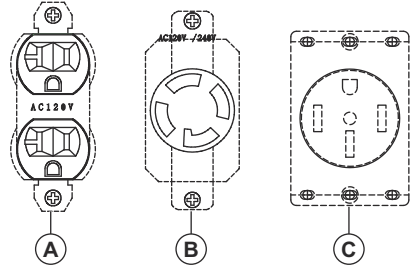


ABD, 1 fazlı, 60 Hz

A: 3 Uçlu, ikili 120 V priz.

B: 4 Uçlu, dönme kilittli 30 A, 120/240 V priz.

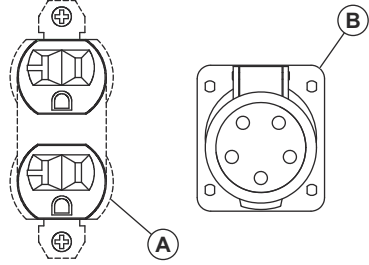
C: 4 Uçlu, 50 A, 120/240 V priz.



ABD, 3 fazlı, 60 Hz

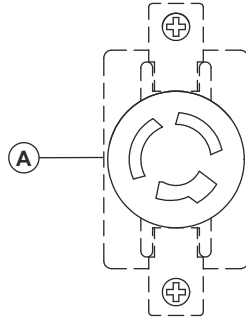
A: 3 Uçlu, ikili 110 V priz.

B: 5 Uçlu, 3 fazlı, 127/220 V priz.



Çin, 1 fazlı, 50 Hz

A: 3 Uçlu, dönme kilittli 230 V priz.





## Ürün üzerindeki semboller



**UYARI!** Dikkatli olun ve ürünü doğru kullanın. Bu ürün, operatör ya da başkaları açısından ciddi yaralanmalara veya ölüme neden olabilir.



Bu ürünü kullanmadan önce kullanım kılavuzunu dikkatli bir şekilde okuyun ve talimatları anladığınızdan emin olun.



Yangın veya patlama riski.



Karbon monoksit zehirlenmesi riski. Ürünü, hava akışı yetersiz olan yerlerde çalıştırmayın.



Elektrik çarpması riski.



Yanma nedeniyle yaralanma riski.



Yağ ekleyin.



Yakıt ekleyin.



Yakıt valfini açın.



Güç anahtarını AÇIK konumuna getirin.



Jikleyi KAPALI konumuna getirin.



Jikleyi AÇIK konumuna getirin.



Çalıştırma ipi kolunu çekin.



Elektrik yüklerini bağlayın.



Elektrik yüklerinin bağlantısını kesin.



Yakıt valfini kapatın.



Avrupa Direktifi 2000/14/AT ve Yeni Güney Galler mevzuatı "Çevre Koruma Operasyonları (Gürültü Kontrolü) Yönetmeliği 2017" uyarınca çevreye yayılan gürültü emisyonu. Gürültü emisyonu verileri makine etiketinde ve Teknik veriler bölümünde bulunabilir.



Ürünü iç mekanlarda kullanmayın.



Ürünü dış mekanlarda kullanın. Ürünü pencerelerden, kapılardan veya havalandırmalardan uzak tutun.



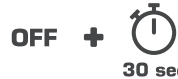
50 sec

Jikleyi AÇIK konumuna getirin ve 50 saniye bekleyin.



50 sec



Jikleyi KAPALI konumuna getirin ve 50 saniye bekleyin.



30 sec

30 saniye bekleyin ve güç anahtarını KAPALI konumuna getirin.

## Tip plakası

	Prod. year 0000
Product	<input type="text"/>
Serial No.	<input type="text"/>
Article No.	<input type="text"/>
Model	<input type="text"/>
Weight	<input type="text"/>
Rated current	<input type="text"/>
Max Power	<input type="text"/>
COP Power	<input type="text"/>
Voltage	<input type="text"/>
Rated Frequency	<input type="text"/>
Power factor	<input type="text"/>
Performance class	<input type="text"/>
Quality class	<input type="text"/>
Protection class	<input type="text"/>
Husqvarna AB SE-561 82 Huskvarna Sweden	Low-power generating set 

## Güvenlik

### Güvenlik tanımları

Kılavuzdaki önemli kısımları vurgulamak için uyarılar ve notlar kullanılmıştır.



**UYARI:** Kılavuzdaki talimatlara uyulmadığı takdirde operatör veya çevredeki kişiler için ciddi yaralanma veya ölüm tehlikesi varsa kullanılır.



**DİKKAT:** Kılavuzdaki talimatlara uyulmadığı takdirde ürünün, diğer malzemelerin veya çevrenin zarar görme riski olduğunda kullanılır.

**Not:** Belirli bir durumda bilgi verilmesi gerektiğinde kullanılır.

### Genel güvenlik talimatları



**UYARI:** Ürünü kullanmadan önce aşağıdaki uyarı talimatlarını okuyup anlayın.

- Çalıştırmadan önce kullanım kılavuzunu ve ürün üzerindeki güvenlik etiketlerini okuyup anlayın. Sizin ve başkalarının güvenliği sizin sorumluluğunuzdur.
- Bu kullanım kılavuzundaki talimatlara uyun.
- Bu ürünün kullanımı ve bakımı sırasında oluşabilecek her durum için bir uyarı vermek mümkün değildir. Her zaman dikkatli olun ve sağduyunuzu kullanın.

### Yakıt güvenliği



**UYARI:** Ürünü kullanmadan önce aşağıdaki uyarı talimatlarını okuyup anlayın.

- Benzin kolayca tutuşabilir ve buharı patlayıcıdır. Benzin kullanırken yakında sigara içilmesine, açık alev, kıvılcıma veya ısıya izin vermeyin.
- Ürün çalışırken veya sıcakken asla yakıt eklemeyin. Yakıt ekleden önce motorun tamamen soğumasını bekleyin.
- Yakıt tankını asla kapalı alanda doldurmayın.
- Benzinin depolanmasını ve kullanımını düzenleyen tüm kanunlara uyun.
- Yakıt tankını fazla doldurmayın. Yakıt genleşmesini göz önünde bulundurarak her zaman yer bırakın. Yakıt tankı fazla doldurulmuşsa yakıt taşıyıcı sıcak motorun üzerine akarak yangına veya patlamaya neden olabilir.
- Yakıt tankında yakıt bulunan ürünü, benzin buharının açık alev, kıvılcıma veya pilot alevine (fırın, su ısıtıcı ya da çamaşır kurutucusunda olduğu gibi) ulaşabileceği bir yerde asla depolamayın. Yangın veya patlama meydana gelebilir. Depolamadan önce ürünün tamamen soğumasını bekleyin.
- Dökülen yakıt veya yağları hemen silin. Ürünün üzerinde veya yakınında yanıcı malzeme bırakılmadığından emin olun. Ürünün etrafındaki alanı temiz tutun ve döküntü bulunmadığından emin olun. Ürünün düzgün bir şekilde havalandırılması için her yanında 5 ft boşluk bırakın.
- Bağlı bir elektrikli cihaz aşırı ısınır, elektrik çıkışı kaybolursa veya ürün çalışırken alev veya duman çıkarsa ürünü çalıştırmayın.

- Ürünün yanında her zaman bir yangın söndürücü bulundurun.
- Sıcak bir motorun üzerine yakıt dökmekten kaçının.
- Ürünün veya yakıtın yakınında sigara içmeyin ya da sigara yakmayın.
- Yakıtı açık havada, açık ateşten uzakta bulunan, onaylanmış bir konteynera boşaltın. Motorun soğuk olduğundan emin olun.

## Egzoz güvenliği



**UYARI:** Ürünü kullanmadan önce aşağıdaki uyarı talimatlarını okuyup anlayın.

- Ürünü kapalı bir alanda veya iç mekanlarda asla çalıştırmayın! Ürünü, kapılar ve pencereler açık olsa bile evde, araçta veya garaj gibi kısmen kapalı alanlarda asla kullanmayın! Ürünü yalnızca dış mekanlarda, açık pencerelerden, kapılardan, havalandırmalardan uzakta ve ölümcül egzoz birikimi olmayacak bir alanda kullanın.
- Motor egzoz dumanları, göremeyeceğiniz veya kokusunu alamayacağınız karbon monoksit içerir. Bu zehirli gaz, yeterli konsantrasyonlarda solunması halinde bilinç kaybına ve hatta ölüme neden olabilir.
- Ürünün doğru şekilde çalışması için soğutma ve havalandırma amacıyla yeterli ve engelsiz bir hava akışı bulunması çok önemlidir. Kurulum üzerinde değişiklik yapmayın veya havalandırmanın kısmen bile tıkanmasına izin vermeyin; aksi takdirde ürünün güvenli bir şekilde kullanılması, bu durumdan ciddi oranda olumsuz etkilenebilir. Ürün dış mekanlarda çalıştırılmalıdır.
- İç mekanda her zaman, üreticinin talimatlarına uygun olarak monte edilmiş, pille çalışan bir karbon monoksit alarmı kullanın.
- Ürün çalıştıktan sonra kendinizi kötü veya güçsüz hissederseniz ya da başınız dönerse hemen temiz havaya çıkın. Karbon monoksit zehirlenmesi yaşıyor olabileceğiniz için bir doktora başvurun.

## Elektrik güvenliği



**UYARI:** Ürünü kullanmadan önce aşağıdaki uyarı talimatlarını okuyup anlayın.

- Ürün çalışırken tehlikeli derecede yüksek voltaj üretir. Ürün çalışırken ürüne bağlı ekipmanlar üzerinde bile çıplak kablolar, terminaler, bağlantılar vb. ile temastan kaçının. Ürünü çalıştırmadan önce tüm uygun kapakların, muhafazaların ve bariyerlerin takılı olduğundan emin olun.
- Su içinde dururken, çıplak ayakla, elleriniz ya da ayaklarınız ıslakken hiçbir türde elektrik kablosunu veya cihazı asla kullanmayın. Tehlikeli bir şekilde elektrik çarptırabilir.
- Bazı ülkelerde ürünün çerçevesinin ve harici elektrik ileten parçalarının onaylı bir topraklamaya uygun

şekilde bağlanması gerekebilir. Bazı ülkelerde ürünün uygun şekilde topraklanması da gerekebilir. Bölgedeki topraklama gereksinimleri için yerel bir elektrikçiye danışın.

- Nemli veya yüksek iletkenliğe sahip alanlarda (metal döşeme ya da çelik gibi) topraklama arızası devre kesicisi (GFCI) kullanın.
- Yıpranmış, çıplak, aşınmış veya başka bir şekilde hasar görmüş elektrik kablosu takımlarını ürünle kullanmayın.
- Elektrik çarpmasından kaynaklanan bir kaza durumunda, elektrik gücü kaynağını hemen kapatın. Bu mümkün değilse kazazedeyi akım bulunan iletkenden kurtarmaya çalışın. Kazazede ile doğrudan temas etmekten kaçının. Kazazedeyi akım bulunan iletkenden kurtarmak için halat veya tahta gibi, iletken olmayan bir alet kullanın. Kazazedenin bilinci yerinde değilse ilk yardım uygulayın ve hemen tıbbi yardım alın.

## Kullanım için güvenlik talimatları



**UYARI:** Ürünü kullanmadan önce aşağıdaki uyarı talimatlarını okuyup anlayın.

- Ürünü yalnızca düz yüzeylerde ve aşırı nem, kir, toz veya aşındırıcı buharlara maruz kalmayacağı yerlerde kullanın.
- Ellerinizi, ayaklarınızı, giysilerinizi vb. tahrik kayışlarından, fanlardan ve diğer hareketli parçalardan uzak tutun. Ünite çalışırken fan muhafazasını veya koruyucusunu asla çıkarmayın.
- Çalışma sırasında jeneratörün bazı parçaları aşırı ısınır. Ciddi yanık yaralanmalarını önlemek için soğuyana kadar jeneratörden uzak durun.
- Ürünü yağmurda çalıştırmayın.
- Ürünün yapısında değişiklik yapmayın veya kontrolleri değiştirmeyin, aksi takdirde güvenli olmayan bir çalışma koşulu oluşabilir.
- Elektrik yükleri prizlere bağlıyken ve bağlı cihazlar açırken ürünü asla çalıştırmayın veya durdurmayın. Motoru çalıştırın ve elektrik yüklerini bağlamadan önce istikrarlı hale gelmesini bekleyin. Jeneratörü kapatmadan önce tüm elektrik yüklerinin bağlantısını kesin.
- Motor çalışmıyor olsa bile ürünün soğutma yuvalarına cisim sokmayın.
- Bu ekipman üzerinde çalışırken her zaman dikkatli olun. Fiziksel veya zihinsel olarak yorgunken ekipman üzerinde asla çalışma yapmayın.
- Ürünü veya hiçbir parçasını asla basamak olarak kullanmayın. Ürünün üzerine basmak, parçalarda gerilim ve kırılmaya neden olup egzoz gazı sızıntısı, yakıt sızıntısı, yağ sızıntısı vb. gibi tehlikeli çalışma koşullarına neden olabilir.
- Çalıştırmadan önce tüm kontroller ve ayarlamalar hakkında bilgi sahibi olduğunuzdan emin olun.

- Ürünü aşırı yüklemeyin. Ayrıca, tek panel prizlerini aşırı yüklemeyin. Bu çıkışlar, devre kesicilerle aşırı yüke karşı korunur. Herhangi bir devre kesicinin amper değeri aşılsa ilgili devre kesici açılır ve o prize giden elektrik çıkışı kaybolur.
- Elektrikli cihazlar prize takılı ve açık durumdayken motoru asla çalıştırmayın veya durdurmayın.

## Ürünün üzerindeki güvenlik aletleri

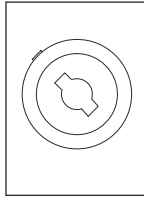
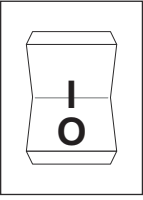


**UYARI:** Ürünü kullanmadan önce aşağıdaki uyarı talimatlarını okuyun.

- Güvenlik araçları arızalı olan bir ürünü kullanmayın.
- Güvenlik araçlarını düzenli olarak kontrol edin. Güvenlik araçları arızalıysa Husqvarna servis noktanızla görüşün.

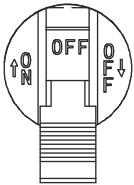
## Güç anahtar

Motoru başlatmak ve durdurmak için güç anahtarını kullanın.



## Devre kesiciler

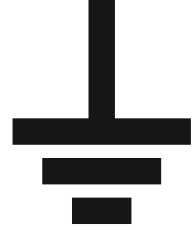
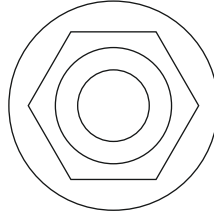
Devre kesiciler, üründe aşırı yüklemeye önler. Devre kesicinin nominal değeriyle ilgili bilgiler, devre kesicinin yanında gösterilir.



## Topraklama terminali

Topraklama terminali, ürünün doğru şekilde topraklanmasını sağlar. Çalıştırmadan önce her

seferinde topraklama terminaline bir topraklama kablosu bağlanmalıdır.



## Bakım için güvenlik talimatları



**UYARI:** Ürün üzerinde bakım yapmadan önce aşağıdaki uyarı talimatlarını okuyup anlayın.

- Güvenlik nedeniyle üretici, bu ekipmanın bakımını Yetkili Bayi tarafından yapılmasını önerir. Jeneratörü düzenli olarak inceleyin ve onarım veya değişim gerektiren parçalar için en yakın Yetkili Bayi ile iletişime geçin.
- Bu ürün, kıvılcım önleyici içeren bir susturucuyla donatılmıştır. Kıvılcım önleyici, ekipmanın sahibi/operatörü tarafından iyi çalışır durumda tutulmalıdır.
- Egzoz sistemine uygun şekilde bakım yapılmalıdır. Egzoz sistemini tehlikeli ya da yerel yasalara ve/veya standartlara uygun olmamasına neden olacak hiçbir şey yapmayın.
- Ürüne bakım yapmadan önce, motorun yanlışlıkla çalıştırılmasını önlemek için motor marş aküsünün (varsa) bağlantısını kesin. Öncelikle kabloyu negatif, NEG veya (-) ile gösterilen akü terminalinden ayırın. Bu kabloyu en son bağlayın.
- Önerilen yağ ile uygun şekilde servisi işlemi uygulanmadan önce marşa basma veya motoru çalıştırma girişiminde bulunulması, motor arızasına neden olabilir.
- Ürün üzerinde çalışma yaparken buji kapağını bujiden her zaman ayırın ve buji kapağını bujiden uzak bir yerde tutun.
- Sıcak yağ yanıklara neden olabilir. Yağı boşaltmadan önce motorun soğumasını bekleyin. Cildin, kullanılmış yağ ile uzun süreli veya tekrar tekrar maruz kalmasından kaçının. Maruz kalan yerleri sabunla iyice yıkayın.
- Operatörün kötü kullanımına veya ihmeline bağlı durumlar, ürün garantisini kapsamına girmez. Garantiden tam olarak faydalanabilmek için operatörün ürünü bu kullanım kılavuzunda belirtilen şekilde kullanması gerekir.

## Montaj

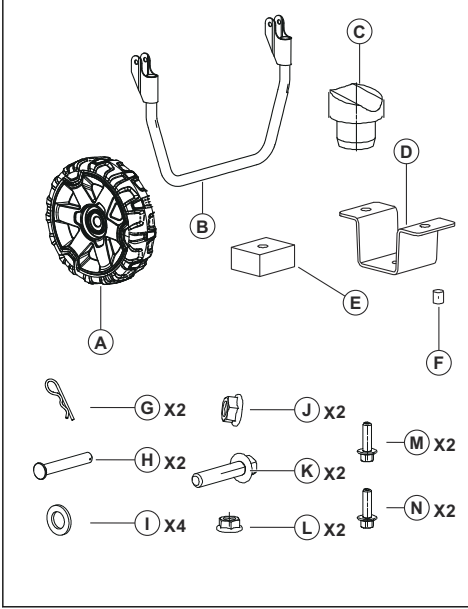
### Giriş



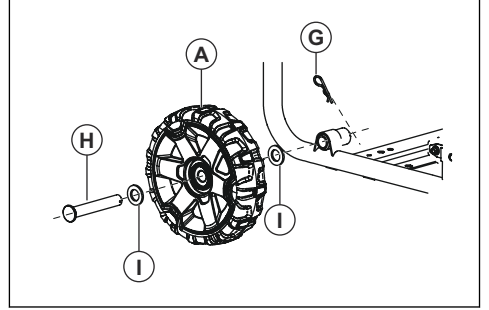
**UYARI:** Ürünü monte etmeden önce güvenlik bölümünü okuyup anlayın.

### Aksesuar kitini (G5500P, G8500P) monte etme

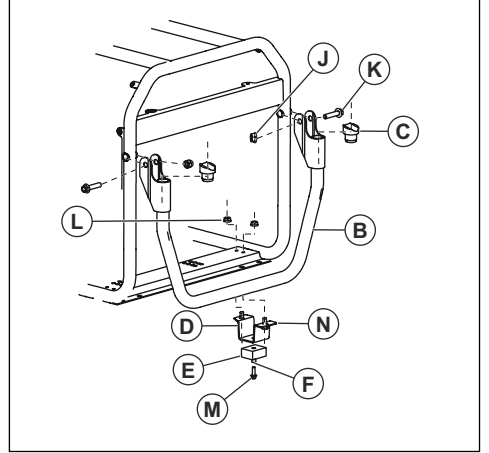
1. Aksesuar kitinin parçalarını öğrenin.



2. Aksesuar kitini monte edin. Resimlere başvurun.  
a) Tekerlek grubu:



b) Tutma yeri grubu:



## Kurulum

### Giriş



**UYARI:** Ürünü kurmadan önce güvenlik bölümünü okuyup anlayın.

### Ürünü topraklama



**UYARI:** Ürün, elektrik alanında iyi bir deneyime ve bilgi birikimine sahip olan bir kişi tarafından topraklanmalıdır. Bazı alanlarda, kurulumu yetkili bir elektrikçi yapmalıdır. Yerel yönetmeliklere uyun.

1. Zemine en az 24 inç boyutunda bir topraklama çubuğu takın.



**UYARI:** Topraklama çubuğu pirinç veya bakırdan yapılmış olmalıdır.

2. Kontrol panelindeki topraklama terminalinden bir topraklama çubuğuna uzanan 2,5 mm<sup>2</sup> bir topraklama kablosu bağlayın.

**Not:** Toprak kablosu ve topraklama çubuğu ürüne birlikte verilmez.

## Ürünü bir binanın elektrik sistemine bağlama

alanlarda, kurulumu yetkili bir elektrikçi yapmalıdır. Yerel yönetmeliklere uyun.



**UYARI:** Ürün, elektrik alanında iyi bir deneyime ve bilgi birikimine sahip olan bir kişi tarafından topraklanmalıdır. Bazı

- Ürünü bir elektrik sistemine bağlarken yalnızca onaylı standart priz, fiş ve kablo kullanın.
- Prosedürü tüm ulusal ve yerel düzenlemelere uygun şekilde gerçekleştirdiğinizden emin olun.

## Çalışma

### Giriş



**UYARI:** Ürünü kullanmadan önce güvenlik bölümünü okuyup anlayın.

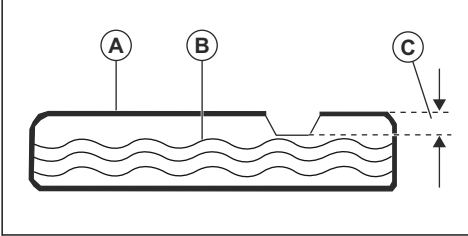
### Yakıt doldurma

Kurşunsuz benzin kullanın. %10'dan fazla etanol içeren benzin ve E85 benzin kullanmayın.



**DİKKAT:** Benzine yağ karıştırmayın.

1. Motoru durdurun ve ürünün soğumasını bekleyin. Bkz. *Ürünü durdurma sayfa: 231.*
2. Ürünün düz bir zeminde ve hava akışının iyi olduğu bir alanda olduğundan emin olun.
3. Yakıt tankı kapağını çıkarın.
4. Yakıt tankını (A) dikkatlice doldurun. Yakıtı (B) işarete (C) kadar doldurun.



5. Ürün üzerindeki yakıt kalıntılarını temizleyin.

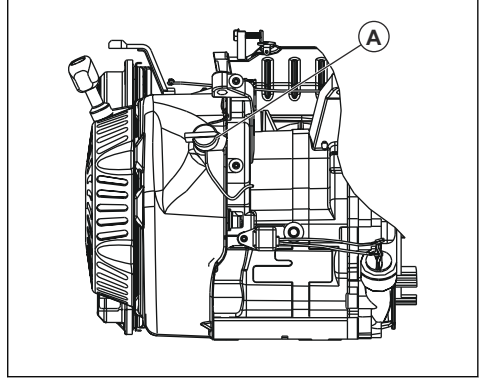


**DİKKAT:** Yakıt kalıntıları yangın riski oluşturur ve çevreye zarar verebilir.

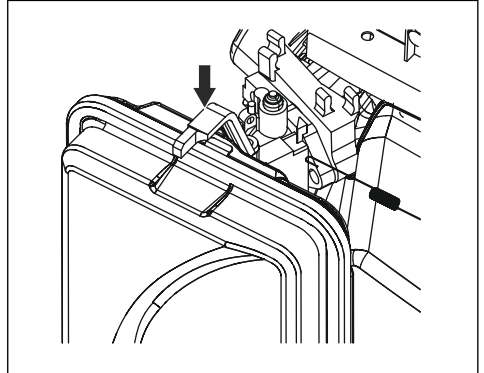
### Ürünü çalıştırma

1. Kontrol panelindeki prizlerden tüm elektrik yüklerinin bağlantısını kesin.
2. Ürünün düz bir zemin üzerinde olduğundan emin olun.
3. Yakıt valfini açın.

4. Güç anahtarını (A) AÇIK konumuna getirin.



5. Jikleği KAPALI konumuna getirin.
6. Direnç hissedene kadar çalıştırma ipi tutma yerini yavaşça çekin.
7. Çalıştırma ipi kolunu, motor çalışana kadar hızlı ve güçlü bir şekilde çekin.
8. Elektrikli marş için aşağıdaki adımları uygulayın.
  - a) AÇIK/KAPALI/BAŞLAT anahtarına basın ve başlat konumunda tutun.
  - b) Motor çalıştığında AÇIK/KAPALI/BAŞLAT anahtarını AÇIK konumuna getirin.
9. Jikleği ½ jikle konumuna getirin.
10. Motor sorunsuz çalıştığında jikleği AÇIK konumuna getirin.



**Not:** G1300P için jiklenin AÇIK ve KAPALI konumları, ters konumlardadır.

## Elektrik yüklerini bağlama



**UYARI:** 240 (230) V'yi 120 (110) V prizlere bağlamayın. 3 fazlı elektrik yüklerini 1 fazlı bir ürüne bağlamayın. 50 Hz elektrik yüklerini 60 Hz'lik bir ürüne bağlamayın.

1. Motoru çalıştırın ve birkaç dakika ısınmasını bekleyin. Bkz. *Ürünü çalıştırma sayfa: 230.*
2. Elektrik yüklerini bağlayın ve başlatın.
3. Üründe aşırı yük olmadığından emin olun. Bkz. *Üründe aşırı yükü önleme sayfa: 231.*

## Üründe aşırı yükü önleme

Üründe aşırı yük, ürüne ve bağlı elektrikli cihazlara zarar verebilir. Üründe aşırı yükü önlemek için aşağıdaki adımları uygulayın.

- Aynı anda bağlanacak tüm elektrikli cihazların toplam W miktarını ekleyin.



**DİKKAT:** Toplam W, ürünün W kapasitesinden fazla olmamalıdır.

- Lambaların nominal W değeri, ampullerden kullanılabilir. Alet, ekipman ve motorların nominal W değeri, cihaz üzerindeki bir etikette bulunabilir.
- Ürün, alet veya ekipmanda W miktarı belirtilmemişse V değerini nominal A değeriyle çarpın.
- Her zaman ilk olarak en yüksek çalışma W değerine sahip olan elektrikli cihazları ürüne bağlayın. Ardından, diğer tüm bağlı elektrik yüklerinin W değerini ekleyin.

## Ürünü durdurma

1. Ürünü durdurun ve kontrol panelindeki prizlerden elektrik yüklerinin bağlantısını kesin.



**UYARI:** Elektrik yükleri açık ve ürüne bağlıysa motoru durdurmayın.

2. Motoru yük olmadan 30 dakika boyunca çalıştırın.
3. Güç anahtarını KAPALI konumuna getirin.
4. Yakıt valfini kapatın.

## Bakım

### Giriş



**UYARI:** Ürün üzerinde bakım yapmadan önce güvenlik bölümünü okuyup anlayın.

### Bakım takvimi

\* Fazla tozlu koşullarda kullanılıyorsa ürünü daha düzenli aralıklarla temizleyin.

\*\* Bakım, yetkili bir servis bayisi tarafından yapılmalıdır.

Bakım	Kullanım öncesi günlük bakım	Saat cinsinden bakım aralığı				
		20 saatte bir veya ayda bir	50 saatte bir veya 3 ayda bir	100 saatte bir veya 6 ayda bir	300 saatte bir veya yılda 1 kez	2 yılda bir
Ürünü temizleme.	X					
Motor yağı seviyesini kontrol edin.	X					
Hava filtresini kontrol edin.	X					
Hava filtresini temizleyin.	X					
Kalıntı kabını kontrol edin.	X					
Motor yağını değiştirin.		X*				
Hava filtresini temizleyin veya değiştirin.			X*			
Bujiyi kontrol edin ve temizleyin.				X		

Bakım	Kullanım öncesi günlük bakım	Saat cinsinden bakım aralığı				
		20 saatte bir veya ayda bir	50 saatte bir veya 3 ayda bir	100 saatte bir veya 6 ayda bir	300 saatte bir veya yılda 1 kez	2 yılda bir
Rölantiyi kontrol edin. Gerekirse rölantiyi ayarlayın.					X**	
Valf açıklığını kontrol edin. Gerekirse valf açıklığını ayarlayın.					X**	
Yakıt tankını, yakıt filtresini ve karbüratörü temizleyin.					X**	
Yanma odasını temizleyin.					X**	
Gerekirse yakıt hatlarını değiştirin.						X**

## Ürünün temizlenmesi



**DİKKAT:** Ürünü temizlemek için su kullanmayın. Su, üründe hasara neden olabilir.

- Ürünün dış yüzeyini temizlemek için nemli bir bez kullanın.
- Kiri ve yağı temizlemek için yumuşak bir fırça kullanın.
- Üründeki kiri ve istenmeyen maddeleri temizlemek için elektrikli süpürge kullanın.
- Soğutma yuvalarında ve üründeki diğer açıklıklarda bulunan kirleri temizlemek için basınçlı hava kullanın.



**DİKKAT:** Basınçlı havanın basıncı en fazla 25 psi olmalıdır.

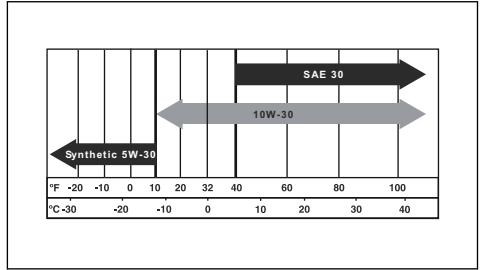
## Motor yağı seviyesinin kontrolü



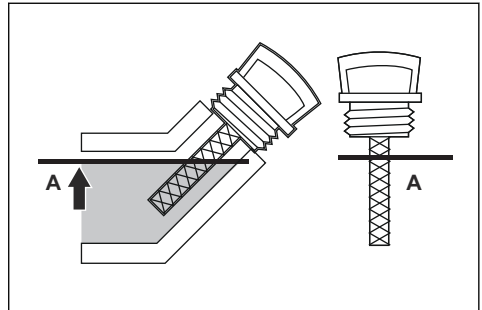
**DİKKAT:** Ürünü düşük motor yağı seviyesinde çalıştırmayın. Bu, motorda hasara neden olabilir.



**DİKKAT:** Amerikan Petrol Enstitüsü'ne (API) göre SJ sınıfı, SL sınıfı veya daha iyisi olan motor yağını kullanın. Özel katkı maddeleri kullanmayın. Ortam sıcaklığına uygun bir viskozite aralığı seçin. Aşağıdaki resme başvurun.



1. Ürünü tamamen durdurun ve ürünün düz bir zeminde olduğundan emin olun.
2. Yağ tankının çevresindeki alanı temizleyin.
3. Yağ tankı kapağını ve yağ ölçme çubuğunu çıkarın.
4. Yağ ölçme çubuğundaki yağı temizleyin.
5. Yağ çubuğunu yağ tankına tamamen geri koyun.
6. Yağ ölçme çubuğunu çıkarın.
7. Yağ ölçme çubuğundaki motor yağı seviyesini kontrol edin.
8. Motor yağı seviyesi düşüğe motor yağı, yağ ölçme çubuğundaki (A) işarete gelene kadar motor yağı doldurun. Yağ tankı kapasitesi için bkz. *Teknik veriler sayfa: 236.*



9. Motor yağı seviyesini tekrar kontrol edin.



10. Yağ tankı kapağını ve yağ ölçme çubuğunu takın.

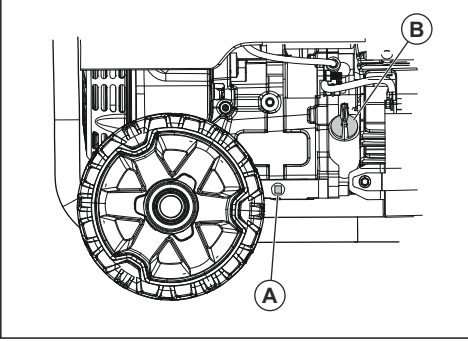
## Motor yağının değiştirilmesi

**Not:** Motor yağını motor sıcakken boşaltın. Sıcak motor yağı daha hızlı boşaltılır.



**UYARI:** Motor yağı çok ısınır ve yanıklara neden olabilir. Motor yağını boşaltmadan önce motorun soğumasını bekleyin.

1. Yağ boşaltma tapasının (A) etrafındaki alanı temizleyin.



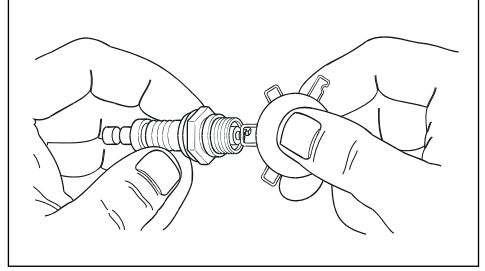
- Boşaltma tapasının altına uygun bir yakıt konteyneri yerleştirin.
- Yağ boşaltma tapasını ve yağ tankı kapağını (B) çıkarın.
- Motor yağını konteynere boşaltın.
- Yağ boşaltma tapasını takıp sıkın.
- Motor yağını doldurun. Bkz. *Motor yağı seviyesinin kontrolü sayfa: 232.*
- Dökülen yağı temizleyin.
- Kullanılmış motor yağını onaylı bir atık tesisinde geri dönüştürün.

## Bujiyi değiştirme

Bujiyi yılda 1 kez değiştirin.

- Motoru durdurun.
- Buji kapağını bujiden çıkarın.
- Bujinin etrafındaki alanı temizleyin ve bujiyi silindirden çıkarın.

4. Elektrot boşluğunu ayarlayın. Bkz. *Teknik veriler sayfa: 236.*



5. Yeni bir buji takın. 15 ft/lb torkla sıkın.

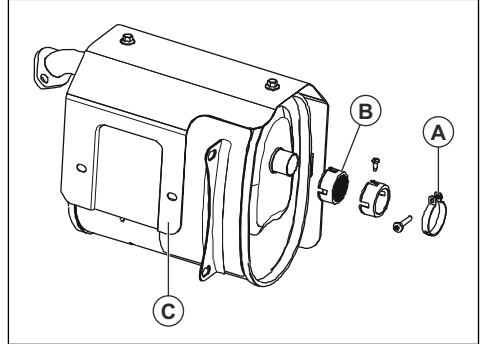
## Kıvılcım önleyici siperliğini kontrol etme

Kıvılcım önleyici siperliği yılda 1 kez veya gerekirse daha sık kontrol edin ve temizleyin.



**UYARI:** Bazı alanlarda ve koşullarda yangın riskini önlemek için bir kıvılcım önleyici siperlik kullanmanız gerekir. Yerel yönetmeliklere uyun.

1. Kelepçeyi (A) ve kıvılcım önleyici siperliği (B) susturucudan (C) çıkarın.



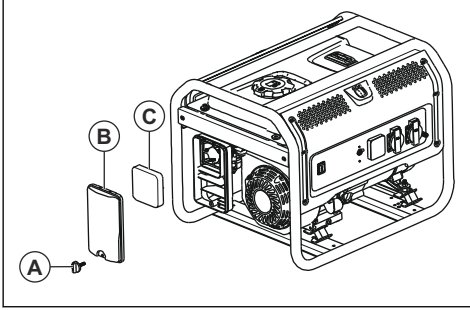
- Kıvılcım önleyici siperliği sıradan bir çözümlerle temizleyin.
- Kıvılcım önleyici siperlikte aşınma ve hasar olup olmadığını kontrol edin. Gerekirse kıvılcım önleyici siperliği değiştirin.



**DİKKAT:** Kıvılcım önleyici siperliği hasar görmüş bir ürünü kullanmayın.

## Hava filtresinin kontrol edilmesi

1. Düğmeyi (A) ve hava filtresi kapağını (B) çıkarın.



2. Hava filtresini (C) çıkarın.
3. Hava filtresini ve hava filtresi kapağını sabunlu suda temizleyin.
4. Hava filtresi ve hava filtresi kapağının kurumasını bekleyin.
5. Hava filtresini, hava filtresi kapağını ve düğmeyi takın.

## Sorun giderme

### Sorun giderme çizelgesi

Sorun	Neden	Çözüm
Çok fazla yük olduğunda motor durur.	Hava filtresi temiz değil.	Hava filtresini temizleyin veya değiştirin.
	Motor ısınmamış.	Çalıştırmadan önce motorun ısınmasını bekleyin.
Motor teklıyor.	Buji gevşektir.	Kablo bağlantılarını kontrol edin.
	Yanlış elektrot boşluğu.	Buji kapağını değiştirin.
	Buji kapağı hasarlıdır.	Buji kapağını değiştirin.
	Süresi dolmuş veya düşük kaliteli benzin.	Yakıtı doldurun.
	Hatalı sıkıştırma.	Sıkıştırmayı ayarlayın.
Motor aniden duruyor.	Motor yağı seviyesi çok düşüktür.	Motor yağını doldurun.
	Yakıt tankı boştur veya tankta düşük kaliteli benzin vardır.	Yakıtı doldurun.
	Arızalı yakıt tankı kapağı.	Yakıt tankı kapağını değiştirin.
	Arızalı mıknatıs.	Yetkili bir servis bayisiyle görüşün.
	Buji kapağı doğru takılmamıştır.	Buji kapağını takın.
Motorda vuruntu oluyor.	Süresi dolmuş veya düşük kaliteli benzin.	Yakıtı doldurun.
	Motorda aşırı yük.	Bkz. <i>Üründe aşırı yükü önleme sayfa: 231.</i>
	Mekanik sorun.	Yetkili bir servis bayisiyle görüşün.

Sorun	Neden	Çözüm
Motor geri tepme yapıyor.	Düşük kaliteli benzin.	Yakıtı doldurun.
	Motor çok soğuk.	Soğuk koşullar ve yağ katkı maddeleri için yakıt kullanın.
	Giriş valfi tıkalı veya motor çok sıcak.	Yetkili bir servis bayisiyle görüşün.
	Hatalı ateşleme zamanlaması.	Ateşleme zamanlamasını kontrol edin.
Üründe güç yok.	Ürün, elektrik kaynağına bağlı değildir.	Ürünü durdurun ve bağlantısını kesin. Ürünü bağlayın ve tekrar başlatın.
	Bir devre kesici tetiklendi.	Ürünü durdurun ve bağlantısını kesin. Devre kesiciyi yeniden başlatın. Ürünü bağlayın ve tekrar başlatın.
	Priz devreye girdi.	Ürünü durdurun ve bağlantısını kesin. Prizi test edin. Priz hasarlı değilse ürünü başlatıp tekrar bağlayın.
	Servis gereklidir.	Yetkili bir servis bayisiyle görüşün.
Ürün düzgün çalışmıyor.	Elektrikli cihazda sorun var.	Elektrikli cihazın bağlantısını kesin. Yetkili bir servis bayisiyle görüşün.
	Üründe çok fazla yük var.	Ürüne bağlı elektrikli cihazların sayısını azaltın.



**DİKKAT:** Sorun devam ederse yetkili bir servis bayisiyle görüşün.

## Ürünü uzun süreli saklama için hazırlama

Ürün 30 günden uzun bir süre depoda tutulacaksa aşağıdaki adımları uygulayın. Aşağıdaki prosedür, yakıt sistemi ile ilgili sorunları önler.

1. Yakıtı yakıt koruyucu ekleyin. Yakıt koruyucu, üreticinin önerilerine uygun olmalıdır.
2. Ürünü 10-15 dakika çalıştırın.
3. Motorun soğumasını bekleyin ve yakıt tankını boşaltın.



**DİKKAT:** Yakıtı uzun süre depolamayın. Temiz olmayan benzini bertaraf edin.

4. Motoru çalıştırın ve tüm yakıt bitene ve ürün durana kadar çalıştırmaya devam edin.
5. Motorun soğumasını bekleyin ve motor yağını değiştirin.
6. Buji kapağını çıkarın ve silindire ½ oz/15 ml kadar motor yağı dökün.

7. Koruma için buji deliğine bir bez yerleştirin.
8. Motor parçalarını yağlamak için çalıştırma ipi kolunu 5 kez çekin.
9. Bujiyi takıp sıkın.



**UYARI:** Buji kapağını takmayın.

10. Ürünü temizleyin.
11. Ürünü iç mekanda, temiz ve kuru bir yere koyun.
12. Koruma için ürünün üzerine bir kapak yerleştirin.



**UYARI:** Ürün sıcaksa üzerine kapak koymayın.

## Teknik veriler

### Teknik veriler

	Husqvarna G1300P	Husqvarna G1300P	Husqvarna G2500P	Husqvarna G2500P	Husqvarna G3200P
Motor hacmi, cc	98,5	98,5	196	196	212
Azami güç, W <sup>25</sup>	1000	1200	2200	2800	3000
Nominal güç, W	800	1000	2000	2500	2800
Voltaaj, V	230	110/220,120/240	230	110/220,120/240	230
Nominal frekans, Hz	50	60	50	60	50
Faz	1	1	1	1	1
Net ağırlık, kg	28,0	28,0	43,0	43,0	49,0
Brüt ağırlık, kg	29,2	29,2	45,0	45,0	51,0
Paket boyutu, mm	500X375X435	500X375X435	500X375X435	500X375X435	625X495X495
Yağ tankı kapasitesi, l	0,45	0,45	0,6	0,6	0,6
Elektrot boşluğu, mm/inç	0,76/0,030	0,76/0,030	0,76/0,030	0,76/0,030	0,76/0,030
Tip	Benzin	Benzin	Benzin	Benzin	Benzin
Ölçülen Ses Gücü Seviyesi, dB (A)			95	95	96
Garantili Ses Gücü Seviyesi, dB (A)			95	95	96

	Husqvarna G3200P	Husqvarna G5500P	Husqvarna G5500P	Husqvarna G8500P	Husqvarna G8500P
Motor hacmi, cc	212	389	389	458	458
Azami güç, W <sup>26</sup>	3200	5500	6000	8000	8500
Nominal güç, W	3000	5000	5500	7500	8000

<sup>25</sup> Maksimum vat değeri; yakıtın enerji içeriği, ortam sıcaklığı, rakım, motor durumu vb. gibi faktörlere bağlıdır ve bunlarla sınırlanır. Maksimum güç, deniz seviyesinin üzerindeki her 1000 fitte yaklaşık %3,5 oranında ve ayrıca 16°C (60°F) ortam sıcaklığının üzerindeki her 6°C (10°F) için yaklaşık %1 oranında düşer.

<sup>26</sup> Maksimum vat değeri; yakıtın enerji içeriği, ortam sıcaklığı, rakım, motor durumu vb. gibi faktörlere bağlıdır ve bunlarla sınırlanır. Maksimum güç, deniz seviyesinin üzerindeki her 1000 fitte yaklaşık %3,5 oranında ve ayrıca 16°C (60°F) ortam sıcaklığının üzerindeki her 6°C (10°F) için yaklaşık %1 oranında düşer.

	Husqvarna G3200P	Husqvarna G5500P	Husqvarna G5500P	Husqvarna G8500P	Husqvarna G8500P
Voltaj, V	110/220,120/240	230	110/220,120/240	230	110/220,120/240
Nominal frekans, Hz	60	50	60	50	60
Faz	1	1	1	1	1
Net ağırlık, kg	49,0	88,0	88,0	106,4	106,4
Brüt ağırlık, kg	51,0	91,0	91,0	109,5	109,5
Paket boyutu, mm	625X495X495	720X560X585	720X560X585	720X560X585	720X560X585
Yağ tankı kapasitesi, l	0,6	1,1	1,1	1,1	1,1
Elektrot boşluğu, mm/inç	0,76/0,030	0,76/0,030	0,76/0,030	0,76/0,030	0,76/0,030
Tip	Benzin	Benzin	Benzin	Benzin	Benzin
Ölçülen Ses Gücü Seviyesi, dB (A)	96				
Garantili Ses Gücü Seviyesi, dB (A)	96				

## Vat referans kılavuzu

**Not:** Tüm sayılar yaklaşık değerlerdir. Vat değeri gereksinimleri için cihazın üzerindeki veri etiketine başvurun.

Cihaz	Çalıştırma W değeri	Ek başlatma W değeri
<b>Acil durum</b>		
Buzdolabı/dondurucu	700	1500
Radyo	100	0
<b>Çalışma sahası</b>		
Hava kompresörü - ½ HP	1000	1000
Masa testeresi - 10 inç	1700	1300
Kayıslı zımpara makinesi - 3 inç	1200	1200
El matkabı - ½"	600	600
Halojen çalışma ışığı	1000	0
Tilki kuyruğu testere	900	900
<b>Dinlenme</b>		
AM/FM radyo	100	0

<b>Cihaz</b>	<b>Çalıştırma W değeri</b>	<b>Ek başlatma W değeri</b>
Elektrikli ızgara	1700	0
Şişirme pompası 50	100	-
CD/DVD oynatıcı	100	0
Kutu tipi fan - 20 inç	200	200
Kahve makinesi	600	0
<b>Ev tipi</b>		
Monitörlü bilgisayar	800	0
Elektrikli çamaşır kurutma makinesi	5500	500
Elektrik aralığı	2100	0
Elektrikli su ısıtıcısı	2000	0
Ampul - 100 W	100	0
Mikrodalga - 1000 W	1000	200
Drenaj pompası - ½ HP	1000	1100
Televizyon	400	0
Çamaşır makinesi	1100	1100
Kuyu pompası - ½ HP	1000	1000
<b>Çim ve bahçe</b>		
Çalılı biçme makinesi	400	400
Basınçlı yıkama makinesi	1200	1200
Çim biçici	1200	1200
Kenar düzeltici	1000	1000
<b>Isıtma ve soğutma</b>		
Merkezi klima - 10.000 BTU	1500	1500
Fırın fanı - ½ HP	900	1400
Isıtıcı	1800	0
Pencere kliması - 10.000 BTU	1200	600

---

# AT Uyumluluk Bildirimi

---

## AT Uyumluluk bildirimi

Aşağıdaki makineler için:

- Ürün adı: Taşınabilir Jeneratör
- KULLANMA Düşük güç jeneratör grubu
- Model No.: G 2500P, G 3200P
- Seri No.: 1945013770, 1945013793 ve sonrası

### şunun tüm ilgili hükümlerine uymaktadır:

- Makine Yönergesi (2006/42/AT)
- Düşük Voltaj Direktifi (2014/35/AB)
- Tehlikeli Maddelerin Kısıtlanması (RoHS) Direktifi (2011/65/AB)
- Elektromanyetik Uyumluluk Yönergesi (2014/30/AB)
- Dış mekanlarda kullanıma yönelik ekipmanlar için Gürültü Emisyonu Yönergesi (2000/14/AT + 2005/88/AT)

### ve şu uyumlaştırılmış standartla uyumludur:

- EN ISO 8528-13:2016, EN 61000-6-1:2007; EN 55012:2007+A1

### Uygunluk Değerlendirme Prosedürü: 2005/88/AT- Ek VI ile değiştirilen 2000/14/AT

Makine Alanında Onaylanmış Kuruluş (onay numarası: 0197) TÜV Rheinland LGA Products GmbH, Tillystraße 2 - 90431 Nürnberg, Almanya, gürültü sertifikalandırması gerçekleştirmiştir. Gürültü emisyonları ile ilgili bilgi için bkz. *Teknik veriler sayfa: 236*.

Huskvarna, 10.06.2020



Claes Losdal, Geliştirme Müdürü/Bahçe Ürünleri (Huskvarna AB yetkili temsilcisi ve teknik dokümantasyon sorumlusu).

Türk ithalat şirketi daha fazla bilgi için temas edilecek:  
Çullas Orman Bahçe ve Tarım Mak. San. Tic. A.Ş.  
Suadiye Mh. Bağdat Cd. No:455/4  
Kadıköy – 34740 İstanbul / Türkiye  
Telefon: +90 216 519 88 82  
Faks: +90 216 519 88 78  
info@cullas.com.tr





[www.husqvarna.com](http://www.husqvarna.com)

Original instructions  
Оригинални инструкции  
Původní pokyny  
Αρχικές οδηγίες  
Instrucciones originales  
Instructions d'origine  
Eredeti útmutatás

Istruzioni originali  
Oryginalne instrukcje  
Instruções originais  
Instrucțiuni inițiale  
Pôvodné pokyny  
Orijinal talimatlar

1140437-20



2022-02-14